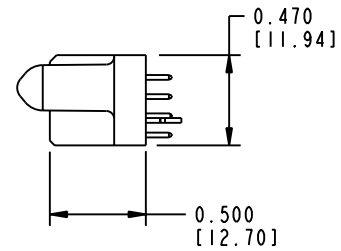
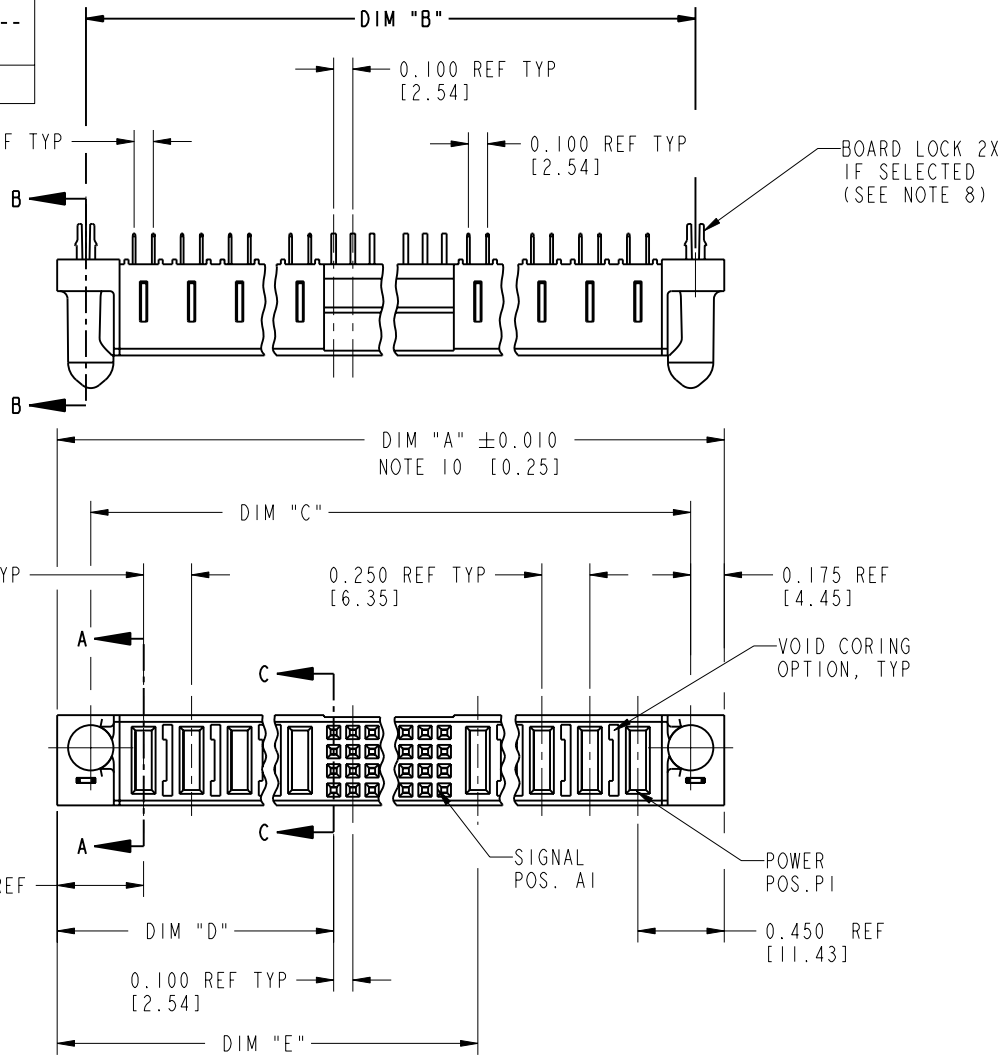


Tous droits strictement réservés. Reproduction ou communication o des liers interdite sous quelque forme que ce soit sans autorisation écrite du propriétaire. Propriete de c FCI. Droits de reproduction FCI.

**FCI**

All rights strictly reserved. Reproduction or issue to third parties in any form, whatever is not permitted without written authority from the proprietor. Property of FCI. Copyright FCI.

PRODUCT NUMBER  
**51740-ABBCCDDEF..**  
 Note: ①  
 SEE NOTE 1



mat'l code				SEE NOTE 2		tolerances unless otherwise specified		CUSTOMER		 www.fciconnect.com	
lfr	ecn no.	dr	date	linear	.XX±.01/0.X±0.3		COPY		 title		
K	DG05-0132	SJ	06/03/05		.XXX±.005/0.XX±0.13		projection		VERTICAL RECEPTACLE w/GUIDE PIN POWER / SIGNAL / POWER		
L	DG05-0153	SJ	06/10/05		.XXX±.0020/.XXX±.051		 INCH/MM		product family		
M	DG05-0485	uoJM	11/21/05		0°±2°		scale		PwrBlade		
				dr	D. EATON	05-25-99			size		code
				enqr	J. BROWN	05-24-99			dwg no		213
				chr	J. BROWN	05-24-99			A		sheet
				appd	J. BROWN	05-24-99			51740		1 of 3
sheet index	revision sheet	M	M	M							
		1	2	3							

cage code 22526

Pro/E

PDM: Rev:M

STATUS: Released

Printed: Dec 13, 2005

Tous droits strictement réservés. Reproduction ou communication o des liens interdite sous quelque forme que ce soit sans autorisation écrite du propriétaire. Propriété de c FCI. Droits de reproduction FCI.

**A**  
**FCI**

All rights strictly reserved. Reproduction or issue to third parties in any form, whenever is not permitted without written authority from the proprietor. Property of FCI. Copyright FCI.

A

B

1 | 2

3 |

4

PRODUCT NUMBER	DIM	LENGTH FORMULAS (SEE NOTE 10)
51740-ABBCCDDEF -- Note: ①	DIM "A"	.250 [6.35] x DD + .100 [2.54] x (CCC/4) + .250 [6.35] x BB + .650 [16.51] (NOTE 10)
SEE NOTE 1	DIM "B"	.250 [6.35] x DD + .100 [2.54] x (CCC/4) + .250 [6.35] x BB + .350 [8.89]
	DIM "C"	.250 [6.35] x DD + .100 [2.54] x (CCC/4) + .250 [6.35] x BB + .300 [7.62]
	DIM "D"	.250 [6.35] x DD + .375 [9.53]
	DIM "E"	.250 [6.35] x DD + .100 [2.54] x (CCC/4) + .450 [11.43]
	DIM "F"	.250 [6.35] x DD + .100 [2.54] x (CCC/4) + .250 [6.35] x BB + .680 [17.27]
	DIM "G"	.250 [6.35] x DD + .225 [5.72]
	DIM "H"	.250 [6.35] x DD + .100 [2.54] x (CCC/4) + .250 [6.35]

CONNECTOR NOTES

- PRODUCT NUMBER CODE:  
51740 - A BB CCC DD E F LF  
  - NO THIS SUFFIX: 100u"/2.54um SnPb ON PCB INTERFACE
  - ADD THIS SUFFIX: 78u"/2.00um Sn OR 5u" Au ON PCB INTERFACE
  - RETENTION TO PCB (NOTE 8)
  - TAIL OPTIONS (NOTE 7)
  - NUMBER OF LEFT END POWER CONTACTS (NOTE 6)
  - NUMBER OF SIGNAL CONTACTS (NOTE 5)
  - NUMBER OF RIGHT POWER CONTACTS (NOTE 4)
  - PLATING (NOTE 3)
  - BASE NUMBER
- HOUSING MATERIAL: GLASS FILLED V-O HIGH TEMP THERMO PLASTIC.  
SIGNAL CONTACT MATERIAL: COPPER ALLOY  
POWER CONTACT MATERIAL: COPPER ALLOY
- PLATING OPTION:  
1 = SIGNAL CONTACTS: 50u" / 1.27um Ni UNDER ALL; 30u" / 0.76um Au ON THE CONTACT AREA AND WITH 100u"/2.54um SnPb OR 78u"/2.00um Sn ON PCB INTERFACE  
POWER CONTACTS: 50u" / 1.27um Ni UNDER ALL; WITH 30u" / 76um Au ON CONTACT AREA WITH 100u"/2.54um SnPb OR 78u"/2.00um Sn ON PCB INTERFACE  
  
3 = SIGNAL CONTACTS: 50u" / 1.27um Ni UNDER ALL; 30u" / 0.76um Au ON THE CONTACT AREA AND WITH 5u"/0.13um Au ON PCB INTERFACE  
POWER CONTACTS: 50u" / 1.27um Ni UNDER ALL; WITH 30u" / 76um Au ON CONTACT AREA WITH 5u"/0.13um Au ON PCB INTERFACE
- RIGHT END POWER CONTACT, 01 TO 20 AVAILABLE. MAXIMUM OF 20 POWER CONTACTS PER CONNECTOR.
- SIGNAL CONTACTS, 004 TO 148 AVAILABLE.
- LEFT END POWER CONTACTS, 01 TO 20 AVAILABLE. MAXIMUM OF 20 POWER CONTACTS PER CONNECTOR.
- TAIL OPTIONS:  
A = .135 ±0.010 [3.43±0.25] SOLDER TO BOARD  
C = .135 ±0.010 [3.43±0.25] PRESS FIT

- RETENTION TO PCB OPTIONS:  
A = BOARD LOCK (REQUIRES .098 + .002, -.001 [2.49 +0.05, -0.03] THRU HOLE IN PCB) RECOMMENDED ON SYMMETRIC CONNECTORS. BOARD LOCK TO BE USED IN CONJUNCTION WITH AN .092 PCB OR THICKER.  
C = NO RETENTION FEATURE.
- MANUFACTURE'S NAME, P/N, AND DATE CODE TO APPEAR ON THIS SURFACE.
- THE MAXIMUM OVERALL LENGTH (DIM A) OF A PART IS 8.00 [203.2].  
11. PRODUCT SPECIFICATION GS-12-149.  
12. REFERENCE 51698 FOR SPECIALS WORKSHEET.  
PCB NOTES:  
13. ALL DIMENSIONS ARE BASIC UNLESS OTHERWISE SPECIFIED.  
14. ALL THROUGH HOLES ARE LOCATED WITH A TRUE POSITION OF .004 [0.01]  
15. ALL HOLE DIAMETERS ARE FINISHED HOLE SIZE.  
16. 0.0453±.001 [1.151±.02] DRILLED HOLES PLATED WITH 0.0003 [0.007] MIN SnPb OVER 0.001 [1.03] TO .003 [0.08] PLATING TO ACHIEVE A .040 ±.003 [1.02 ±.08] HOLE.

A

B

1 | 2

3 |

4

mat'l code				tolerances unless otherwise specified		CUSTOMER	<b>A</b> <b>FCI</b> www.fciconnect.com	
ltr	ecn no.	dr	date	linear	.XX±.01/0.X±0.3	COPY	title	
M				linear	.XXX±.005/0.XX±0.13	projection	VERTICAL RECEPTACLE w/GUIDE PIN POWER / SIGNAL / POWER	
				angles	.XXX±.0020/.XXX±.051		product family	
				dr	D. EATON 05-25-99	INCH/MM	PwrBlade	code
				engr	J. BROWN 05-24-99	scale	size	213
				chr	J. BROWN 05-24-99	1:1	dwg no	sheet
				appd	J. BROWN 05-24-99		A	2
sheet index	revision sheet							

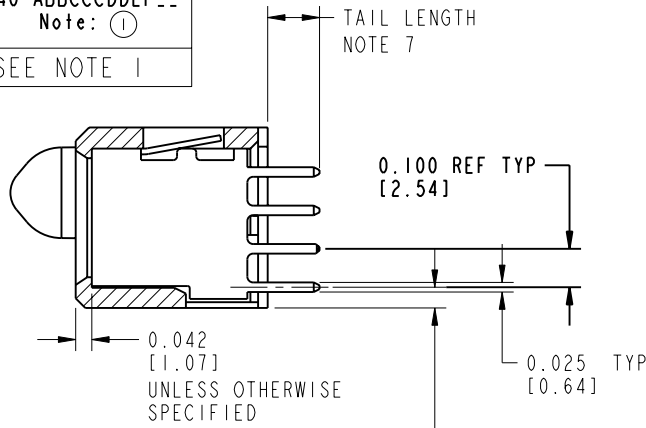
Pro/E

cage code 22526

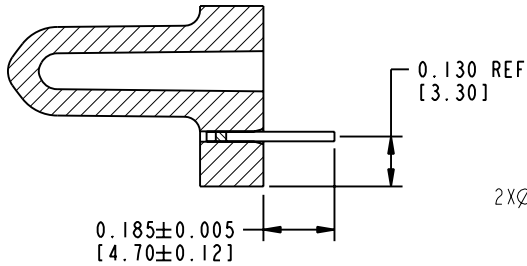
Tous droits strictement réservés. Reproduction ou communication o des liens interdite sous quelque forme que ce soit sans autorisation écrite du propriétaire. Propriété de c FCI. Droits de reproduction FCI.

All rights strictly reserved. Reproduction or issue to third parties in any form, whenever is not permitted without written authority from the proprietor. Property of FCI. Copyright FCI.

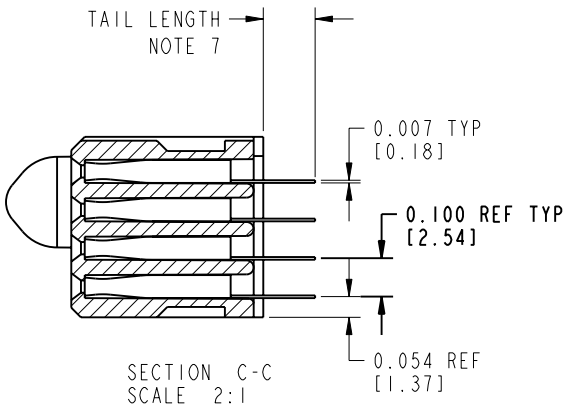
PRODUCT NUMBER  
**51740-ABBCCDDEF..**  
 Note: ①  
 SEE NOTE 1



SECTION A-A  
 SCALE 2:1



SECTION B-B  
 SCALE 2:1

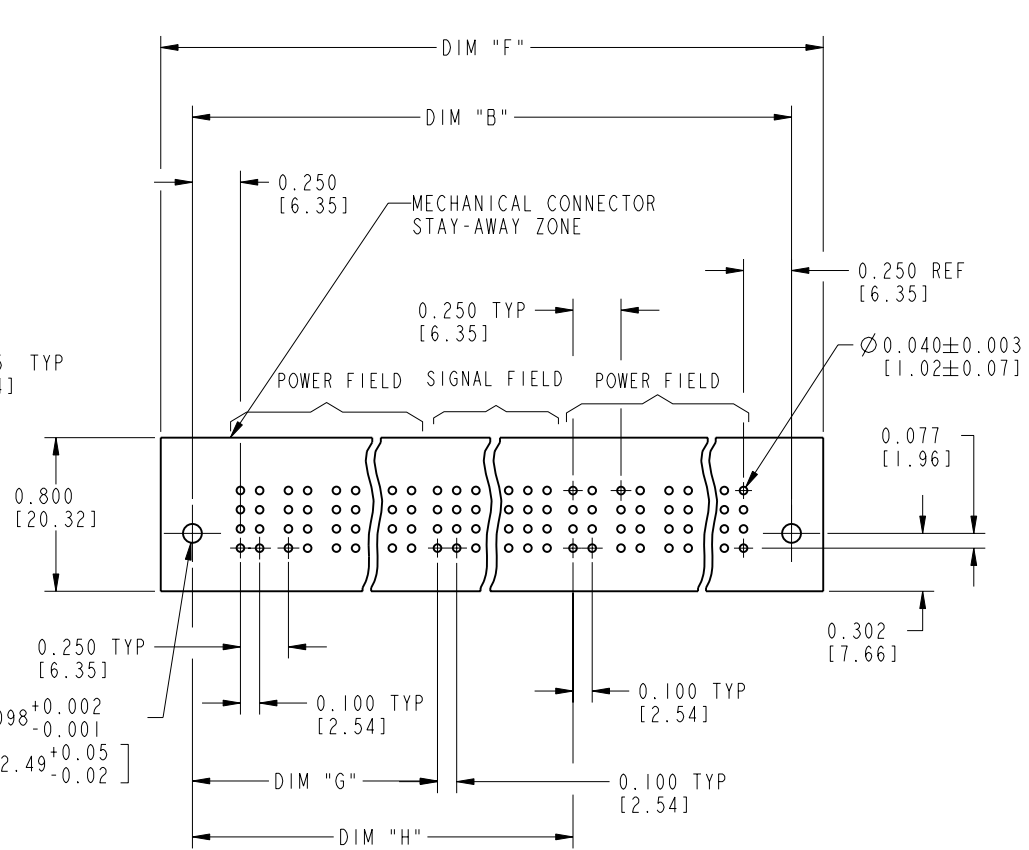


SECTION C-C  
 SCALE 2:1

1 | 2

3 |

4



RECOMMENDED PCB LAYOUT

mat'l code		SEE NOTE 2		tolerances unless otherwise specified		CUSTOMER		 www.fciconnect.com	
ltr	ecn no.	dr	date	linear	.XX±.01/0.X±0.3	COPY		title	
M					.XXX±.005/0.XX±0.13	projection		VERTICAL RECEPTACLE w/GUIDE PIN POWER / SIGNAL / POWER	
				angles	.XXX±.0020/.XXX±.051			product family	
				dr	D. EATON 05-25-99	INCH/MM		PwrBlade	
				engr	J. BROWN 05-24-99	scale		code	
				chr	J. BROWN 05-24-99	1:1		213	
				appd	J. BROWN 05-24-99			sheet	
sheet index		revision sheet						3	

cage code 22526

Pro/E

3 |

4

PDM: Rev:M

STATUS: Released

Printed: Dec 13, 2005