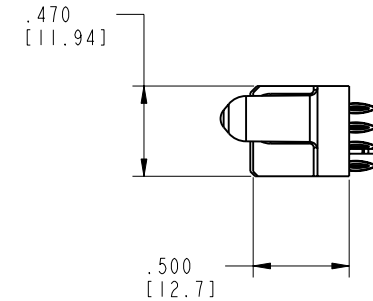
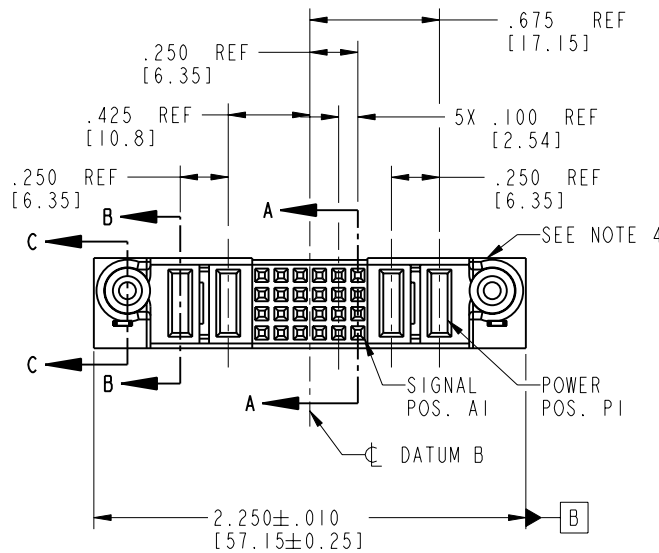


Tous droits strictement réservés. Reproduction ou communication o des liens interdite sous quelque forme que ce soit sans autorisation écrite du propriétaire. Propriété de c FCI. Droits de reproduction FCI.

All rights strictly reserved. Reproduction or issue to third parties in any form whomever is not permitted without written authority from the proprietor. Property of FCI. Copyright FCI.



PRODUCT NO.	ROWS		POWER				SIGNAL				POWER		
		E2	P4	P3	6	5	4	3	2	1	P2	P1	E1
51750-038-- Note: (3)	D C B A		PF	PC	F	F	F	F	F	F	F	F	



CODE	DIM "M" MATING LENGTH	CONTACT TYPE
F	N/A [N/A]	SIGNAL
PC	.042 [1.07]	POWER
PF	.092 [2.34]	POWER
HA	N/A [N/A]	HOLD-DOWN

mat'l code SEE NOTE 2				tolerances unless otherwise specified		CUSTOMER	 www.fciconnect.com
ltr	ecn no.	dr	date	linear	.XX ± .01/0.X ± 0.3	COPY	
A	V21741	CGD	11/05/02	linear	.XXX ± .005/0.XX ± 0.13	projection	title 2P + 24S + 2P VERTICAL PRESS FIT RECEPTACLE
B	DG05-0166	SJ	06/16/05	angles	.XXX ± .0020/0.XXX ± 0.051		
C	DG05-0564	GuoJM	12/22/05		0° ± 2°	MM	product family PwrBlade
				dr	C. DAILY 11/05/02	scale 1:1	code 213
				engr	M. MOSTOLLER 11/05/02		size 51750-038
				chr	M. MOSTOLLER 11/05/02		sheet 1 of 4
				appd	M. MOSTOLLER 11/05/02		
sheet index	revision sheet	C	C	C	C		
		1	2	3	4		

cage code 22526

Pro/E

PDM: Rev:C

STATUS: Released

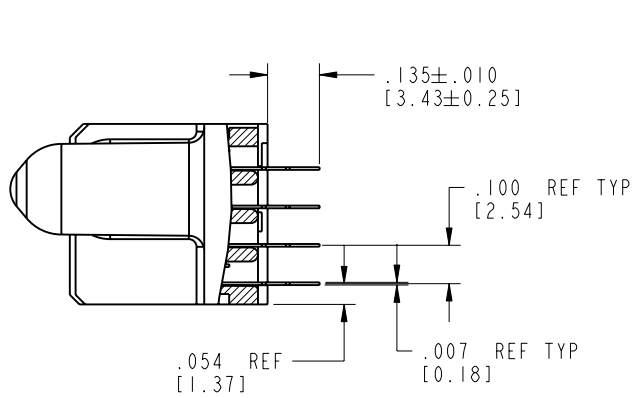
Printed: Dec 20, 2010

Tous droits strictement réservés. Reproduction ou communication o des liers interdite sous quelque forme que ce soit sans autorisation écrite du propriétaire. Propriété de c FCI. Droits de reproduction FCI.

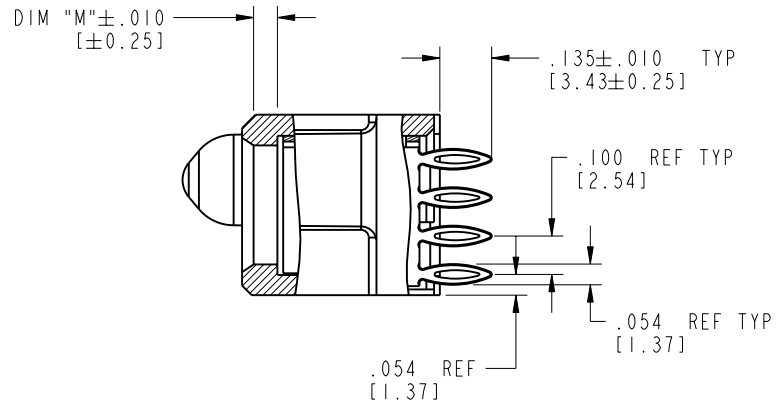
All rights strictly reserved. Reproduction or issue to third parties in any form, whatever is not permitted without written authority from the proprietor. Property of FCI. Copyright FCI.

PRODUCT NUMBER

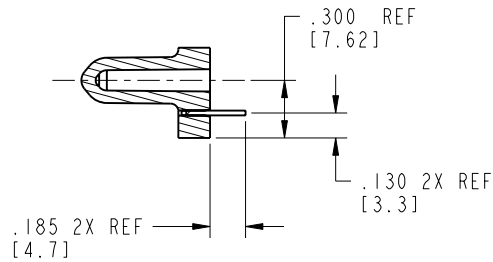
51750-038\_\_  
Note: ③



SECTION A-A  
SCALE 2:1



SECTION B-B  
SCALE 2:1



SECTION C-C

mat'l code		SEE NOTE 2		tolerances unless otherwise specified		CUSTOMER		 www.fciconnect.com	
lfr	ecn no.	dr	date	linear	.XX±.01/0.X±0.3	COPY			
C				projection	.XXX±.005/0.XX±0.13	 INCH/MM		title	
				angles	.XXX±.0020/0.XXX±0.051			2P + 24S + 2P VERTICAL PRESS FIT RECEPTACLE	
				dr	0° ± 2°	product family		PwrBlade	
				engr	C. DAILY 11/05/02	size		213	
				chr	M. MOSTOLLER 11/05/02	dwg no		51750-038	
				appd	M. MOSTOLLER 11/05/02	A		sheet 2	
sheet index	revision sheet					scale		1:1	

cage code 22526

Pro/E

PDM: Rev:C

STATUS: Released

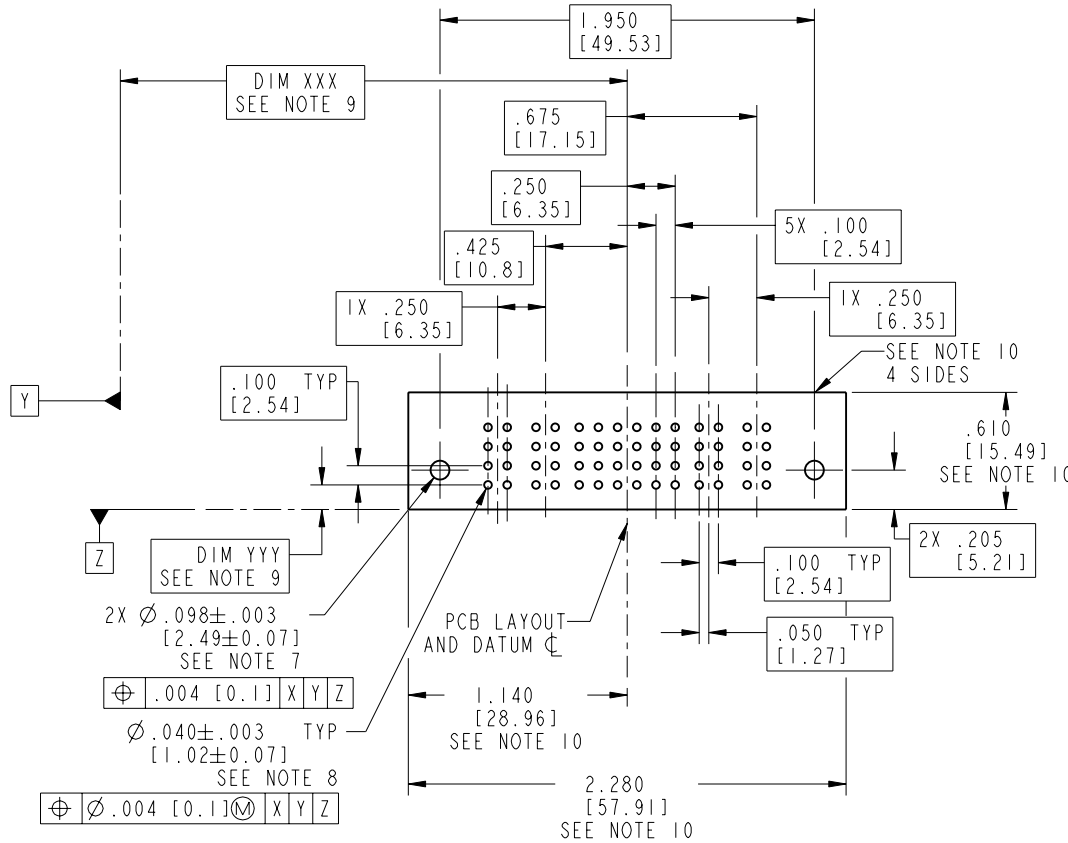
Printed: Dec 20, 2010

Tous droits strictement réservés. Reproduction ou communication o des liens interdite sous quelque forme que ce soit sans autorisation écrite du propriétaire. Propriété de c FCI. Droits de reproduction FCI.

All rights strictly reserved. Reproduction or issue to third parties in any form, whatever is not permitted without written authority from the proprietor. Property of FCI. Copyright FCI.

PRODUCT NUMBER

51750-038\_\_  
Note: ③



mat'l code				SEE NOTE 2		tolerances unless otherwise specified		CUSTOMER		 www.fciconnect.com	
lfr	ecn no.	dr	date	linear	.XX±.01/0.X±0.3		COPY		 projection	title	
C					.XXX±.005/0.XXX±0.13		 INCH/MM			2P + 24S + 2P	
					.XXX±.0020/0.XXX±0.051		 scale			VERTICAL PRESS FIT RECEPTACLE	
				angles	0° ± 2°		C. DAILY 11/05/02 M. MOSTOLLER 11/05/02 M. MOSTOLLER 11/05/02 M. MOSTOLLER 11/05/02		product family		
				dr			1:1		PwrBlade		
				enrg					code		
				chr					213		
				appd					sheet		
									3		
sheet index	revision sheet										

cage code 22526

Pro/E

PDM: Rev:C

STATUS: Released

Printed: Dec 20, 2010

Tous droits strictement reserves. Reproduction ou communication o des liers interdite sous quelque forme que ce soit sans autorisation ecrite du proprietaire. Propriete de c FCI. Droits de reproduction FCI.

All rights strictly reserved. Reproduction or issue to third parties in any form, whenever is not permitted without written authority from the proprietor. Property of FCI. Copyright FCI.

**A**  
**FCI**

**PRODUCT NUMBER**

51750-038\_\_  
Note: ③

**NOTES:**

1. DIMENSIONS AND TOLERANCES ARE IN ACCORDANCE WITH ASME Y14.5M, 1994 UNLESS OTHERWISE SPECIFIED.

**CONNECTOR NOTES:**

2. HOUSING MATERIAL: UL 94 V-0 GLASS FILLED HIGH-TEMP THERMOPLASTIC  
POWER CONTACT MATERIAL: COPPER ALLOY  
SIGNAL PIN MATERIAL: COPPER ALLOY

3. 51750-038;51750-038LF;51750-038GLF PLATING SPEC. SEE PRINT:10064183

4. MANUFACTURER'S NAME, P/N, AND DATE CODE TO APPEAR ON THIS SURFACE.

5. PRODUCT SPECIFICATION GS-12-149.  
APPLICATION SPECIFICATION BUS-20-067

**PCB - NOTES:**

6. ALL HOLE DIAMETERS ARE FINISHED HOLE SIZE.

7. MOUNTING HOLES, WHERE APPLICABLE, ARE UNPLATED.

8.  $\varnothing .0453 \pm .0010$  [ $1.151 \pm 0.025$ ] DRILLED HOLES PLATED WITH  $.0003$  [ $0.008$ ] MIN SnPb OVER  $.001$  [ $0.03$ ] TO  $.003$  [ $0.08$ ] Cu PLATING TO ACHIEVE  $\varnothing .040 \pm .003$  [ $1.02 \pm .07$ ] HOLE.

9. "DIM XXX" AND "YYY" TO BE DETERMINED BY THE CUSTOMER.

10. CONNECTOR KEEP-OUT ZONE.

mat'l code		SEE NOTE 2		tolerances unless otherwise specified		CUSTOMER		<b>A</b> <b>FCI</b>		www.fciconnect.com	
ltr	ecn no.	dr	date	linear	.XX±.01/0.X±0.3		COPY		projection	title	
C					.XXX±.005/0.XX±0.13		INCH/MM			2P + 24S + 2P	
				angles	.XXX±.0020/0.XXX±0.051		←		product family		code
				dr	0° ± 2°		←		PwrBlade		213
				enrg	C. DAILY	11/05/02	←		size		sheet
				chr	M. MOSTOLLER	11/05/02	←		dwg no		4
				appd	M. MOSTOLLER	11/05/02	←		A		51750-038
sheet index	revision sheet						scale				
							1:1				

cage code 22526

Pro/E

**PDM: Rev:C**

STATUS: **Released**

Printed: Dec 20, 2010