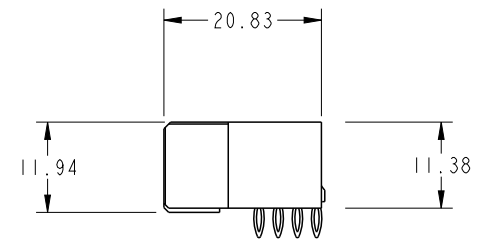
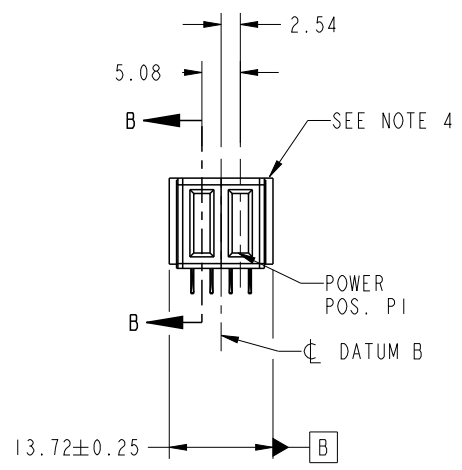




Copyright FCI.

PRODUCT NO. 51915-394-- NOTE 3	POWER	
	P2	P1
	PE	PE



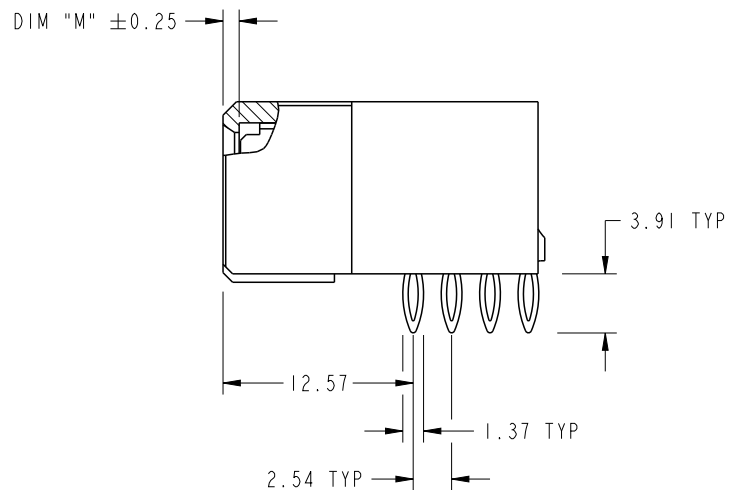
CODE	DIM "M" MATING LENGTH	CONTACT TYPE
PE	[1.07]	POWER

spec ref	SEE NOTES			dr	Ruan MT	2013/03/28	projection 	MM ←→	size	A4	scale	1:1
tolerance std	TOLERANCES UNLESS OTHERWISE SPECIFIED			eng	Ruan MT	2013/05/20			ecn no	-		
SEE NOTES				chr	-	-			rel level	Released		
surface	linear	0.X	±0.50	FCI www.fci.com	title	2DCP R/A PRESS FIT RECEPTACLE	cat. no.	Product - Customer Drw	dwg no	51915-394	rev	A
		0.XX	±0.25									
		0.XXX	±0.10									
	angular	0°	±2°									

PrdrE File - REV C - 2009-06-09

PRODUCT NUMBER

51915-394__
NOTE 3



BROKEN-OUT SECTION B-B
SCALE 2:1

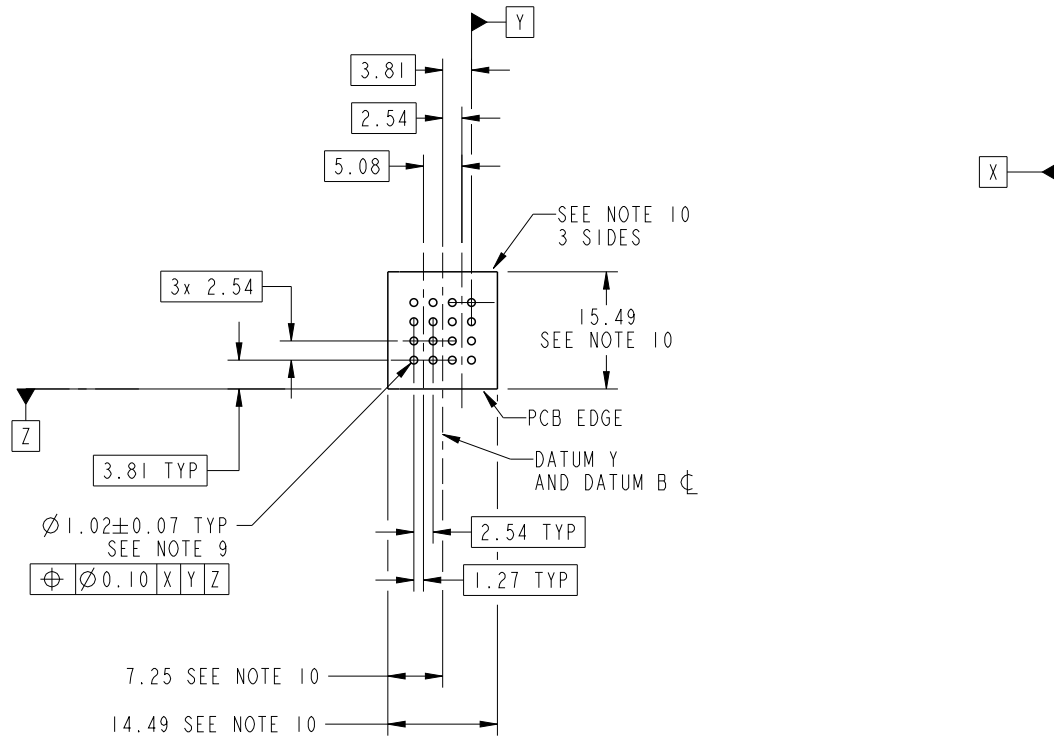


Copyright FCI.

dr	Ruan MT	2013/03/28	projection 	MM 	size	A4	scale	1:1
eng	Ruan MT	2013/05/20			ecn no	-		
chr	-	-						
appr	Pei-Ming Zheng	2013/05/20	product family	PwrBlade	rel level	Released		
	title	2DCP R/A PRESS FIT RECEPTACLE		dwg no	51915-394		rev	A
www.fci.com	cat. no.	Product - Customer Drw			sheet 2 of 4			

PRODUCT NUMBER

51915-394__
NOTE 3



RECOMMENDED PCB LAYOUT

dr	Ruan MT	2013/03/28	projection 	MM 	size	A4	scale	1:1
eng	Ruan MT	2013/05/20			ecn no	-		
chr	-	-			product family	PwrBlade	rel level	Released
appr	Pei-Ming Zheng	2013/05/20			title 2DCP R/A PRESS FIT RECEPTACLE	dwg no 51915-394	rev A	
www.fci.com		cat. no.	Product - Customer Drw			sheet 3 of 4		

PRODUCT NUMBER

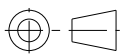
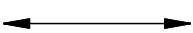

51915-394__
NOTE 3

NOTES:

1. DIMENSIONS AND TOLERANCES ARE IN ACCORDANCE WITH ASME Y14.5M, 1994 UNLESS OTHERWISE SPECIFIED.

CONNECTOR NOTES:

- 2. HOUSING MATERIAL: UL 94 V-0 GLASS FILLED HIGH-TEMP THERMOPLASTIC
POWER CONTACT MATERIAL: COPPER ALLOY
SIGNAL PIN MATERIAL: COPPER ALLOY
 - 3. SEE ITEM 7 & 8 IN PRINT 10064183 FOR PLATING SPEC OF 51915-394 AND 51915-394LF RESPECTIVELY.
 - 4. MANUFACTURER'S NAME, DATE CODE AND OPTIONAL P/N TO APPEAR ON THIS SURFACE. THE MARK CAN BE OMITTED IF THERE IS NOT ENOUGH SPACE ON THIS SURFACE.
 - 5. PRODUCT SPECIFICATION GS-12-149.
APPLICATION SPECIFICATION BUS-20-067.
 - 6. PACKAGED IN TRAYS.
- PCB NOTES:
- 7. ALL HOLE DIAMETERS ARE FINISHED HOLE SIZE.
 - 8. MOUNTING HOLES, WHERE APPLICABLE, ARE UNPLATED.
 - 9. $\varnothing 1.151 \pm 0.025$ DRILLED HOLES PLATED WITH
0.008 MIN SnPb OR Sn OVER 0.03
TO 0.08 Cu PLATING TO ACHIEVE
 $\varnothing 1.02 \pm .07$ HOLE.
 - 10. CONNECTOR KEEP-OUT ZONE.
 - 11. THE VOID CORING IN BETWEEN POWER MODULES, SIGNAL MODULES AND END MODULES ARE OPTIONAL AND THE SHAPE MAY BE DIFFERENT FOR OPTIMIZE THE MOLDING PROCESS. THE VOID CORING WILL NOT EFFECT TO PRODUCT FUNCTION.
 - 12. USE FCI CAM TOOL 430140-XXX TO APPLY CONNECTOR TO PCB.

dr	Ruan MT	2013/03/28	projection 	MM 	size	A4	scale	1:1
eng	Ruan MT	2013/05/20			ecn no	-		
chr	-	-			product family	PwrBlade	rel level	Released
appr	Pei-Ming Zheng	2013/05/20			title 2DCP R/A PRESS FIT RECEPTACLE	dwg no 51915-394	rev A	
www.fci.com		cat. no.	Product - Customer Drw			sheet 4 of 4		