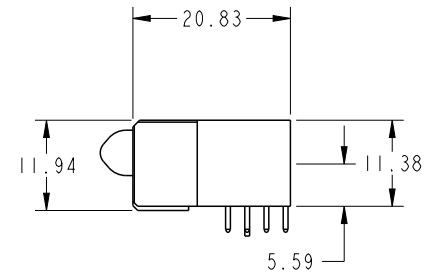
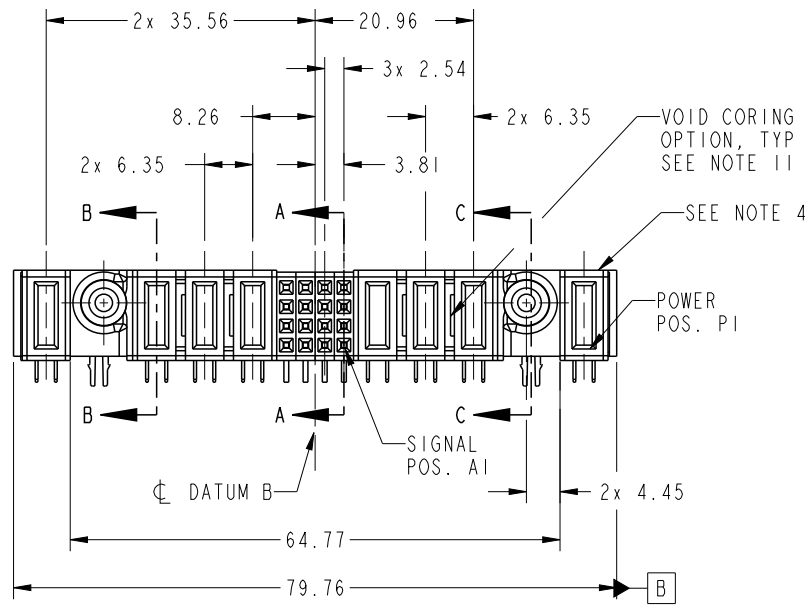


PRODUCT NO.	ROWS	POWER		SIGNAL				POWER							
		P8	E2	P7	P6	P5	4	3	2	1	P4	P3	P2	E1	P1
51915-437-- NOTE 3	D C B A	PA		PA	PA	PA	H	H	H	H	PA	PA	PA		PA



CODE	DIM "M" MATING LENGTH	CONTACT TYPE
PA	[1.07]	POWER
H	[N/A]	SIGNAL
G	[N/A]	SIGNAL
F	[N/A]	SIGNAL
E	[N/A]	SIGNAL
HA	[N/A]	HOLD-DOWN

spec ref	SEE NOTES			dr	Ruan MT	2014/04/28	projection	MM	size	A4	scale	1:1	
tolerance std	TOLERANCES UNLESS OTHERWISE SPECIFIED			eng	De-Ming Lu	2014/05/20			ecn no	-			
SEE NOTES				chr	-	-	product family			PwrBlade			rel level
surface	linear	0.X	±0.50	www.fci.com	title	IP + 3P + 16S + 3P + IP R/A SOLDER RECEPTACLE	cat. no.	Product - Customer Drw	dwg no	51915-437		rev	A
		0.XX	±0.25							sheet 1 of 4			
		0.XXX	±0.10										
	angular	0°	±2°										

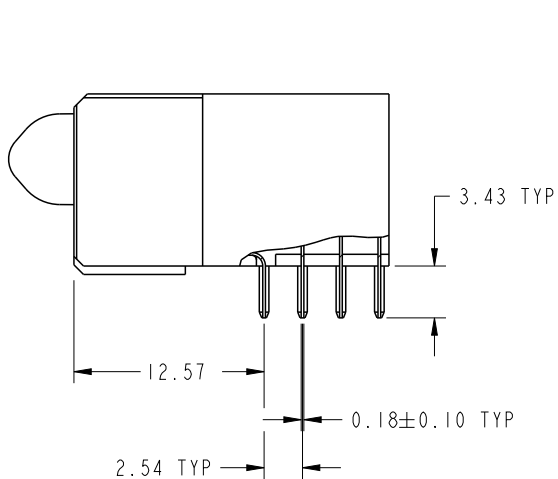


Copyright FCI.

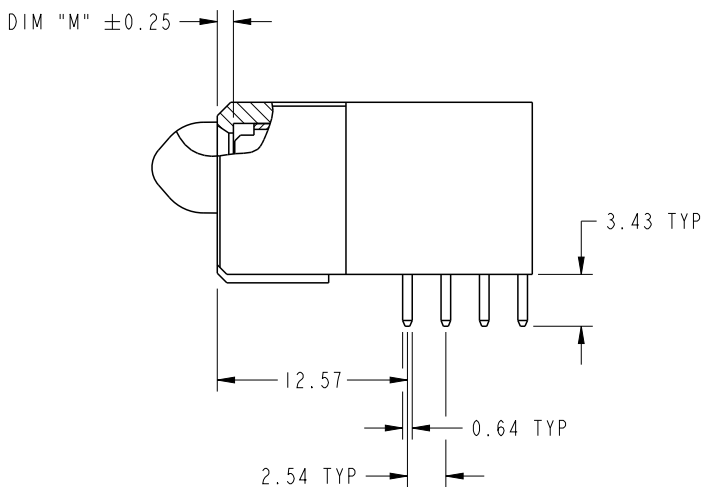
PrdE File - REV C - 2009-06-09

PRODUCT NUMBER

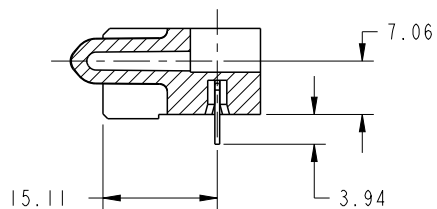
51915-437__
NOTE 3



BROKEN-OUT SECTION A-A
SCALE 2:1



BROKEN-OUT SECTION B-B
SCALE 2:1

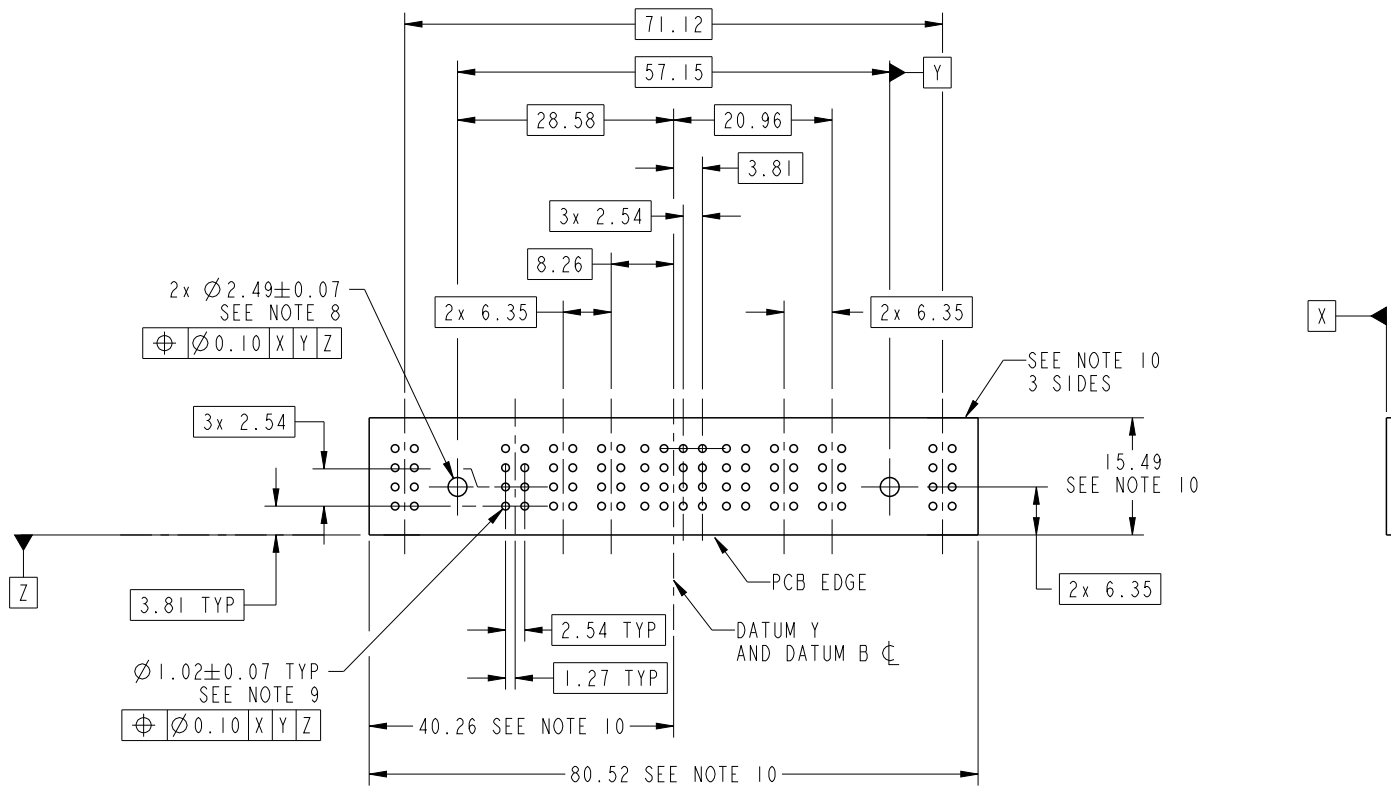


SECTION C-C

dr	Ruan MT	2014/04/28	projection 	MM 	size	A4	scale	1:1
eng	De-Ming Lu	2014/05/20			ecn no	-		
chr	-	-			rel level	Released		
appr	Pei-Ming Zheng	2014/05/20	product family	PwrBlade				
		title IP + 3P + 16S + 3P + IP R/A SOLDER RECEPTACLE	dwg no 51915-437	rev A				
www.fci.com		cat. no.	Product - Customer Drw			sheet 2 of 4		

PRODUCT NUMBER

51915-437__
NOTE 3



RECOMMENDED PCB LAYOUT

dr	Ruan MT	2014/04/28	projection 	MM 	size	A4	scale	1:1
eng	De-Ming Lu	2014/05/20			ecn no	-		
chr	-	-			rel level	Released		
appr	Pei-Ming Zheng	2014/05/20	product family	PwrBlade	rev	51915-437	A	
	title	IP + 3P + 16S + 3P + IP		dwg no	51915-437			
www.fci.com	cat. no.	Product - Customer Drw			sheet 3 of 4			
		R/A SOLDER RECEPTACLE						

PRODUCT NUMBER

51915-437--
NOTE 3

NOTES:

1. DIMENSIONS AND TOLERANCES ARE IN ACCORDANCE WITH ASME Y14.5M, 1994 UNLESS OTHERWISE SPECIFIED.

CONNECTOR NOTES:

- 2. HOUSING MATERIAL: UL 94 V-0 GLASS FILLED HIGH-TEMP THERMOPLASTIC
POWER CONTACT MATERIAL: COPPER ALLOY
SIGNAL PIN MATERIAL: COPPER ALLOY
- 3. SEE ITEM 5 & 6 IN PRINT 10064183 FOR PLATING SPEC OF 51915-437 AND 51915-437LF RESPECTIVELY.

4. MANUFACTURER'S NAME, DATE CODE AND OPTIONAL P/N TO APPEAR ON THIS SURFACE. THE MARK CAN BE OMITTED IF THERE IS NOT ENOUGH SPACE ON THIS SURFACE.

5. PRODUCT SPECIFICATION GS-12-149.
APPLICATION SPECIFICATION BUS-20-067.

6. PACKAGED IN TRAYS.

PCB NOTES:

7. ALL HOLE DIAMETERS ARE FINISHED HOLE SIZE.

8. MOUNTING HOLES, WHERE APPLICABLE, ARE UNPLATED.

9. $\varnothing 1.151 \pm 0.025$ DRILLED HOLES PLATED WITH
0.008 MIN SnPb OR Sn OVER 0.03
TO 0.08 Cu PLATING TO ACHIEVE
 $\varnothing 1.02 \pm .07$ HOLE.

10. CONNECTOR KEEP-OUT ZONE.

11. THE VOID CORING IN BETWEEN POWER MODULES, SIGNAL MODULES AND END MODULES ARE OPTIONAL AND THE SHAPE MAY BE DIFFERENT FOR OPTIMIZE THE MOLDING PROCESS. THE VOID CORING WILL NOT EFFECT TO PRODUCT FUNCTION.

dr	Ruan MT	2014/04/28	projection 	MM 	size	A4	scale	1:1
eng	De-Ming Lu	2014/05/20			ecn no	-		
chr	-	-			product family	PwrBlade	rel level	Released
appr	Pei-Ming Zheng	2014/05/20			title IP + 3P + 16S + 3P + IP R/A SOLDER RECEPTACLE	dwg no 51915-437	rev A	
www.fci.com		cat. no.	Product - Customer Drw			sheet 4 of 4		



Copyright FCI.