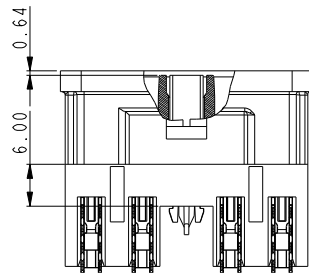
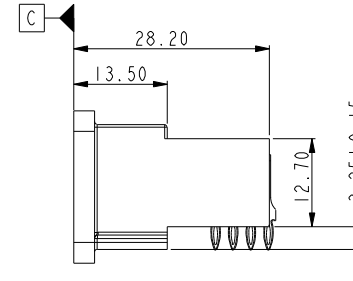
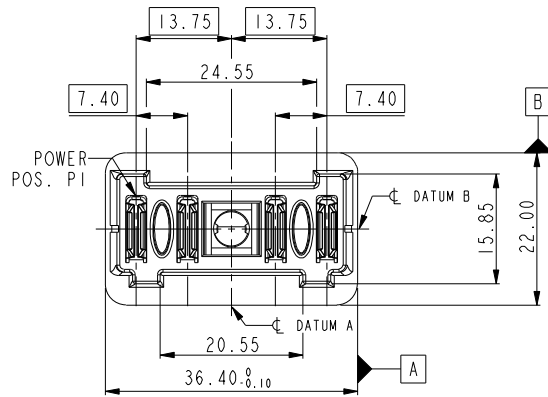


Tous droits strictement réservés. Reproduction ou communication a des tiers interdite sous quelque forme que ce soit sans autorisation écrite du propriétaire. Propriété de c FCI. Droits de reproduction FCI.

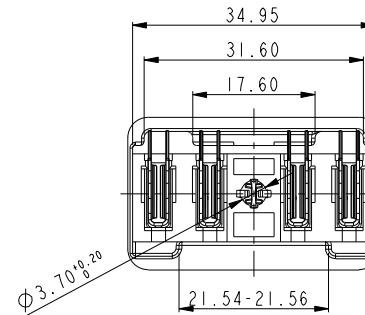


All rights strictly reserved. Reproduction or issue to third parties in any form whatever is not permitted without written authority from the proprietor. Property of FCI. Copyright FCI.

PRODUCT NO. 51939-219LF NOTE 3	POWER				
	P1	P2	CODING KEY	P3	P4



SECTION A-A



CODE	CONTACT TYPE
PX	POWER

mat'l code				SEE NOTE 2		tolerances unless otherwise specified		CUSTOMER		FCI www.fciconnect.com	
ltr	ecn no.	dr	date	linear	0.X ±0.30	projection		COPY		title	
A	DG06-0465	JMG	11/09/06		0.XX ±0.10					2P + Coding + 2P R/A PF Header	
B	DG07-0344	JMG	11/08/07	angles	0.XXX ±0.050					product family *** code	
C	DG09-0230	WL	07/16/09	dr	0° ±2°	scale		size		213	
				enr	WL ZHANG 07/16/09	1:1		A		sheet	
				chr	JEROME CHEN 07/16/09			51939-219		1 of 4	
				appd	PM ZHENG 07/16/09						
					JOSEPH HSIA 07/16/09						
sheet index	revision sheet	C	C	C	C						
		1	2	3	4						

cage code 22526

Pro/E

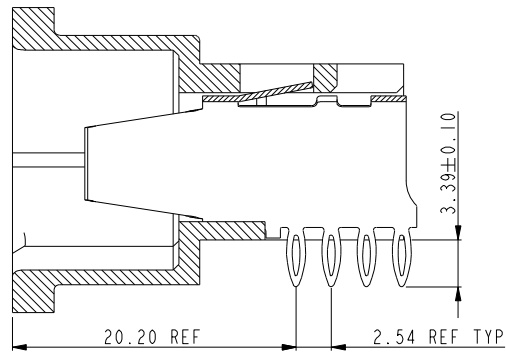
Tous droits strictement reserves. Reproduction ou communication a des tiers interdite sous quelque forme que ce soit sans autorisation écrite du propriétaire. Propriete de c FCI. Droits de reproduction FCI.

All rights strictly reserved. Reproduction or issue to third parties in any form whatever is not permitted without written authority from the proprietor. Property of FCI. Copyright FCI.

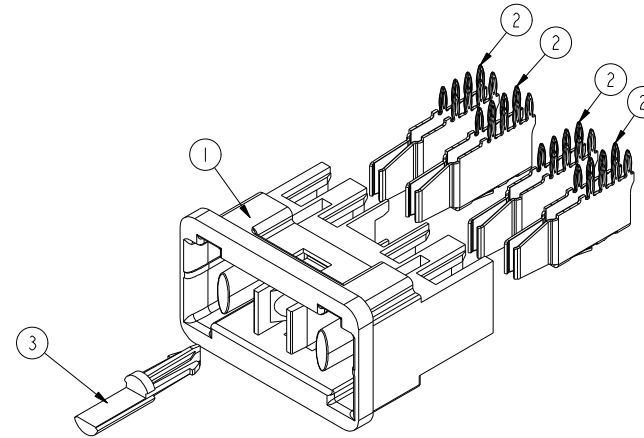


PRODUCT NUMBER
51939-219LF
NOTE: 3

INDEX	MODULE TYPE	QTY
1	HOUSING	1
2	POWER CONTACT	4
3	CODING KEY	1
NOTE 6		



SECTION B-B
SCALE 2:1



mat'l code				SEE NOTE 2		tolerances unless otherwise specified		CUSTOMER		 www.fciconnect.com	
ltr	ecr no.	dr	date	linear	0.X ± 0.30		COPY		 MIM	title	
C					0.XX ± 0.10		projection			2P + Coding + 2P R/A PF Header	
					0.XXX ± 0.050		 1:1			product family	
				angles	0 ± 2°		scale		*** code		
				dr	WL ZHANG	07/16/09	size		code		
				enr	JEROME CHEN	07/16/09	A		213		
				chr	PM ZHENG	07/16/09	51939-219		sheet		
				appd	JOSEPH HSIA	07/16/09	2		2		
sheet index		revision sheet									

cage code 22526

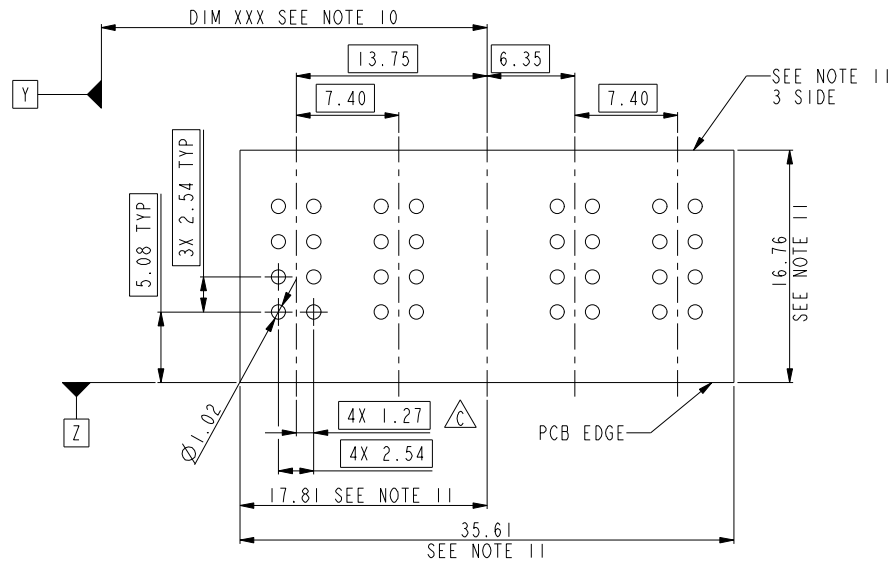
Pro/E

Tous droits strictement reserves. Reproduction ou communication a des tiers interdite sous quelque forme que ce soit sans autorisation écrite du propriétaire. Propriete de c FCI. Droits de reproduction FCI.



All rights strictly reserved. Reproduction or issue to third parties in any form whatever is not permitted without written authority from the proprietor. Property of FCI. Copyright FCI.

PRODUCT NUMBER
51939-219LF
NOTE 3



RECOMMENDED PCB LAYOUT

mat'l code		SEE NOTE 2		tolerances unless otherwise specified		CUSTOMER		FCI		www.fciconnect.com	
ltr	ecn no.	dr	date	linear	0.X ±0.30	COPY				title	
C				angles	0.XX ±0.10	projection				2P + Coding + 2P	
				dr	0.XXX ±0.050	MIM				R/A PF Header	
				enr	0° ±2°	scale		product family		*** code	
				chr	WL ZHANG 07/16/09	2:1		size		213	
				appd	JEROME CHEN 07/16/09	A		dwg no		3 of 4	
					PM ZHENG 07/16/09			51939-219			
					JOSEPH HSIA 07/16/09						
sheet index	revision sheet										

cage code 22526

Pro/E

Tous droits strictement reserves. Reproduction ou communication a des tiers interdite sous quelque forme que ce soit sans autorisation écrite du propriétaire. Propriete de c FCI. Droits de reproduction FCI.



All rights strictly reserved. Reproduction or issue to third parties in any form whatever is not permitted without written authority from the proprietor. Property of FCI. Copyright FCI.

PRODUCT NUMBER
51939-219LF
NOTE 3

NOTES:

- DIMENSIONS AND TOLERANCES ARE IN ACCORDANCE WITH ASME Y14.5M, 1994 UNLESS OTHERWISE SPECIFIED.
 - CONNECTOR NOTES:
HOUSING MATERIAL: UL 94 V-0 GLASS FILLED HIGH-TEMP THERMOPLASTIC [DUPONT ZYTEL HTN FR52G45BL]
CODING KEY: [ZYTEL FR52G45BL - COLOR: RED]
POWER CONTACT MATERIAL: COPPER ALLOY
 - PLATING:
51939-219LF Power Pin:0.75um Au MIN OVER 0.5-3.0um Ni ON THE CONTACT AREA,AND 0.5-1.5um Sn PLATING OVER 0.5-3.0um Ni ON THE TERMINATION SECTION.
PART NUMBER 51939-219LF MEETS EUROPEAN UNION BIRECTIVE ADN OTHER COUNTRY REGULATIONS AS DESCRIBED IN GS-22-008.
THE HOUSING WILL WITHSTAND EXPOSURE TO 260° PEAK TEMPERATURE FOR 10 SECONDS IN A WAVE SOLDER APPLICATION WITH A CIRCUIT BOARD.
 - MANUFACTURER'S NAME, P/N, AND DATE CODE TO APPEAR ON THIS SURFACE.
 - PRODUCT SPECIFICATION GS-12-389.
 - PACKAGED IN TRAYS.
THE CODING KEY IS PACKAGED WITH CONNECTOR IN SAME BOX SEPARATELY.AND IT WILL BE ASSEMBLED BY CUSTOMER.
- PCB NOTES:
- ALL HOLE DIAMETERS ARE FINISHED HOLE SIZE.
 - MOUNTING HOLES, WHERE APPLICABLE, ARE UNPLATED.
 - $\varnothing 1.151 \pm 0.025$ DRILLED HOLES PLATED WITH 0.008 MIN Sn OVER 0.03 TO 0.08 Cu PLATING TO ACHIEVE $\varnothing 1.02 \pm .07$ HOLE.
 - "DIM XXX" TO BE DETERMINED BY THE CUSTOMER.
 - CONNECTOR KEEP-OUT ZONE.

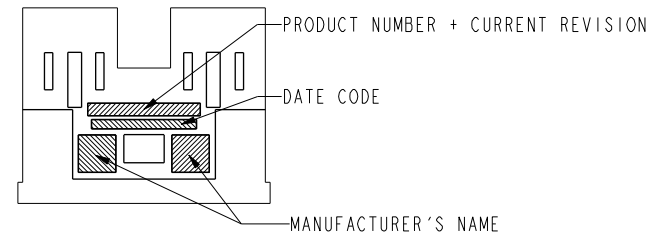


FIGURE 1
SEE NOTE 4

mat'l code				SEE NOTE 2		tolerances unless otherwise specified		CUSTOMER		FCI		www.fciconnect.com	
ltr	ecr no.	dr	date	linear	0.X ±0.30		COPY		projection	title			
C					0.XX ±0.10		MIM			2P + Coding + 2P R/A PF Header			
					0.XXX ±0.050		← MIM →			product family		***	code
				angles	0° ±2°		scale		size		sheet		
				dr	WL ZHANG	07/16/09	1:1		A		213		
				enrg	JEROME CHEN	07/16/09			dwg no		4 of 4		
				chr	PM ZHENG	07/16/09			51939-219				
				appd	JOSEPH HSIA	07/16/09							
sheet index		revision sheet											

cage code 22526

Pro/E