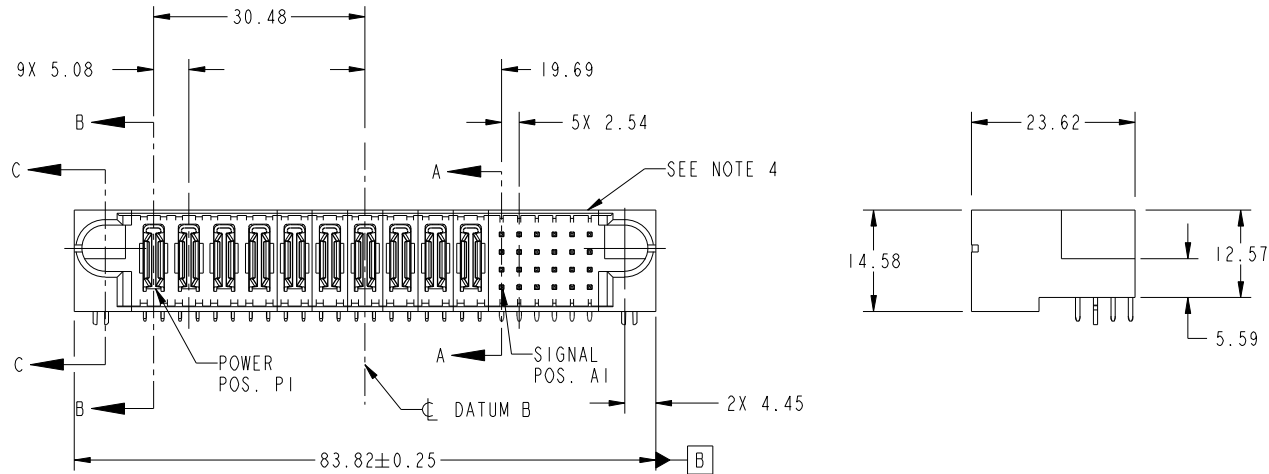
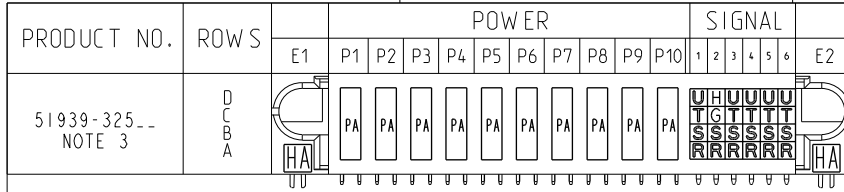


Tous droits strictement réservés. Reproduction ou communication a des tiers interdite sous quelque forme que ce soit sans autorisation écrite du propriétaire. Propriété de c FCI. Droits de reproduction FCI.



All rights strictly reserved. Reproduction or issue to third parties in any form whatever is not permitted without written authority from the proprietor. Property of FCI. Copyright FCI.



CODE	DIM "M" MATING LENGTH	CONTACT TYPE
U	[6.86]	SIGNAL
T	[6.86]	SIGNAL
S	[6.86]	SIGNAL
R	[6.86]	SIGNAL
PA	[N/A]	POWER
HA	[N/A]	HOLD-DOWN
H	[5.59]	SIGNAL
G	[5.59]	SIGNAL

mat'l code				SEE NOTE 2		tolerances unless otherwise specified		CUSTOMER		 www.fciconnect.com	
ltr	ecn no.	dr	date	linear	0.X ±0.3		COPY		title 10P + 24S RIGHT ANGLE SOLDER HEADER		
A	DG07-0436	SH	10/31/07		0.XX ±0.13		projection				
					angles	0.XXX ±0.051		 MIM			
				dr	Sincere He	10/18/07	product family		PwrBlade	code	
				enrg	Sincere He	10/18/07	size	dwg no		213	
				chr	Gary Hsieh	10/18/07	scale	51939-325		sheet	
				appd	Joseph Hsia	10/18/07	1:1	A		1 of 4	
sheet index	revision sheet	A	A	A	A						
		1	2	3	4						

cage code 22526

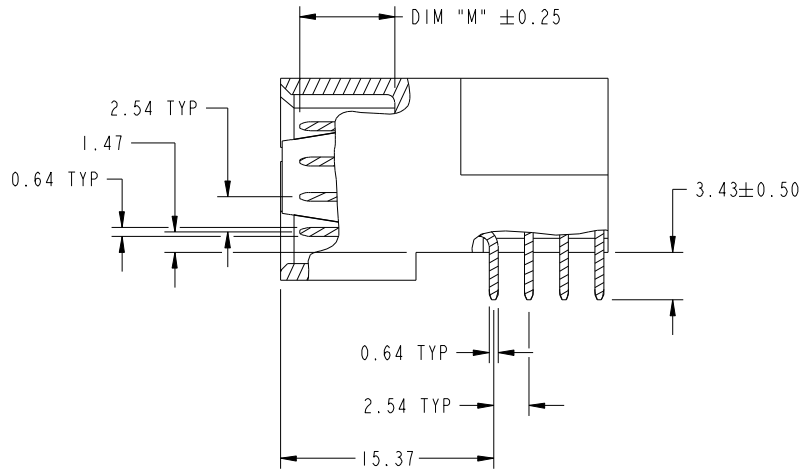
Pro/E

Tous droits strictement reserves. Reproduction ou communication a des tiers interdite sous quelque forme que ce soit sans autorisation écrite du propriétaire. Propriete de c FCI. Droits de reproduction FCI.

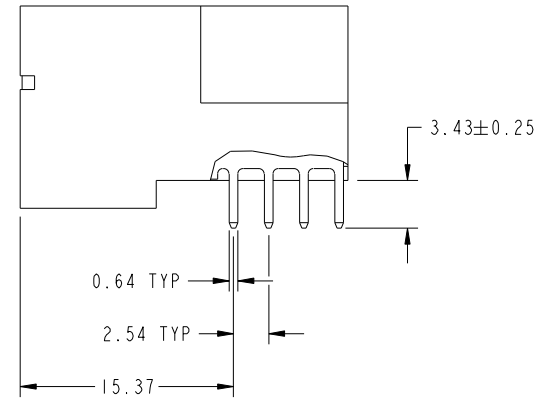
All rights strictly reserved. Reproduction or issue to third parties in any form whatever is not permitted without written authority from the proprietor. Property of FCI. Copyright FCI.



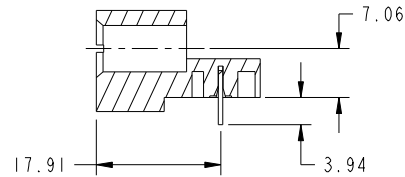
PRODUCT NUMBER  
51939-325-  
NOTE: 3



BROKEN-OUT SECTION A-A  
SCALE 2:1



BROKEN-OUT SECTION B-B  
SCALE 2:1



SECTION C-C

mat'l code				SEE NOTE 2		tolerances unless otherwise specified		CUSTOMER		FCI	
ltr	ecn no.	dr	date	linear	0.X ±0.3		COPY		www.fciconnect.com		
A					0.XX ±0.13		projection		title 10P + 24S RIGHT ANGLE SOLDER HEADER		
					0.XXX ±0.051				product family PwrBlade code 213		
					angles	0° ±2°				size dwg no 213	
				dr	Sincere He	10/18/07	scale		sheet 2 of 4		
				enr	Sincere He	10/18/07	1:1		A 51939-325		
				chr	Gary Hsieh	10/18/07					
				appd	Joseph Hsia	10/18/07					
sheet index	revision sheet										

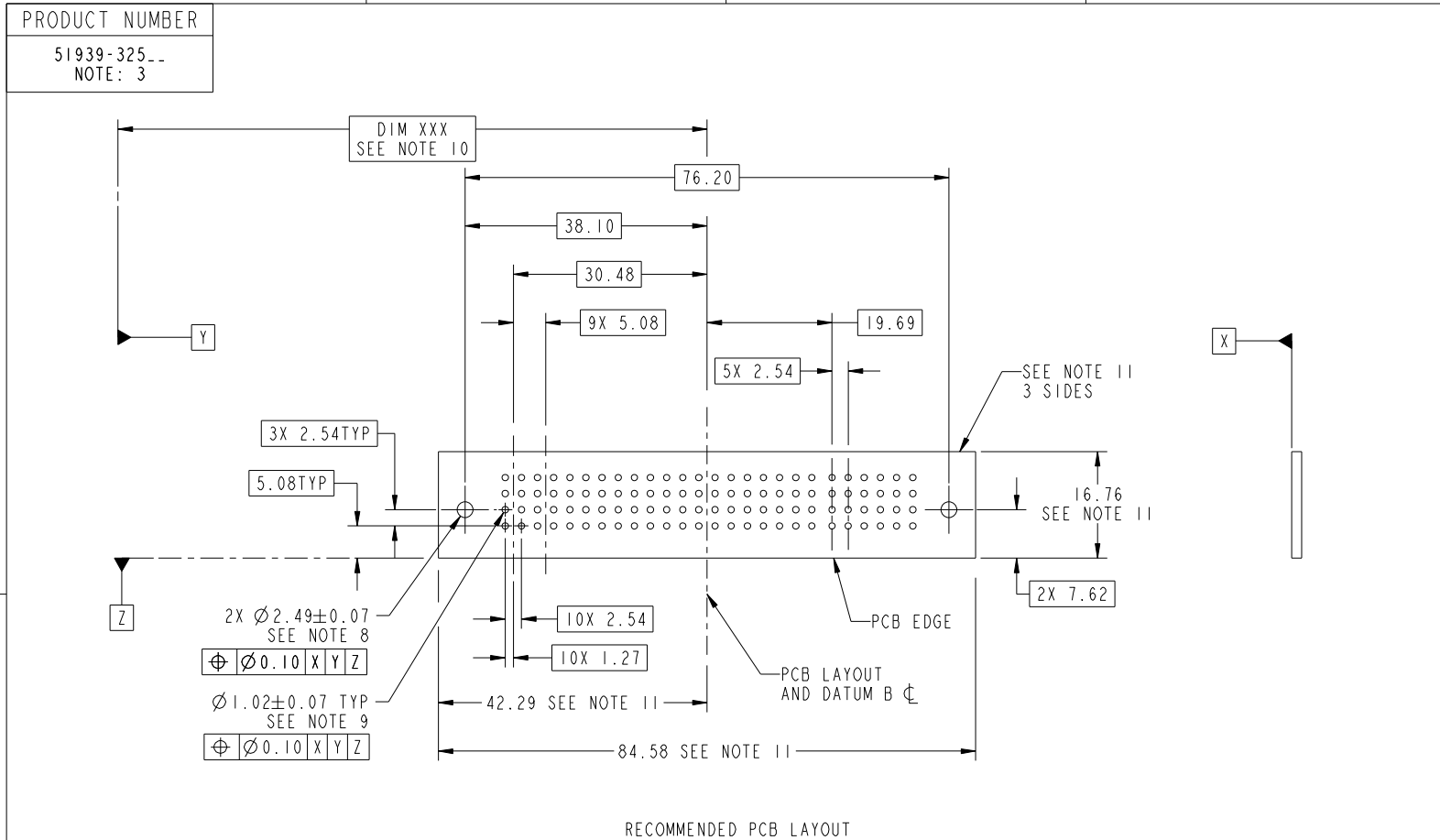
cage code 22526

Pro/E

Tous droits strictement reserves. Reproduction ou communication a des tiers interdite sous quelque forme que ce soit sans autorisation écrite du propriétaire. Propriete de c FCI. Droits de reproduction FCI.



All rights strictly reserved. Reproduction or issue to third parties in any form whatever is not permitted without written authority from the proprietor. Property of FCI. Copyright FCI.



RECOMMENDED PCB LAYOUT

mat'l code				SEE NOTE 2		tolerances unless otherwise specified		CUSTOMER		FCI	
ltr	ecn no.	dr	date	linear	0.X ±0.3	COPY		www.fciconnect.com		title	
A					0.XX ±0.13	projection		10P + 24S		RIGHT ANGLE SOLDER HEADER	
				angles	0.XXX ±0.051	MIM		product family		PwrBlade	code
				dr	Sincere He 10/18/07	scale		size	dwg no	213	sheet
				enr	Sincere He 10/18/07	1:1		A	51939-325	3 of 4	
				chr	Gary Hsieh 10/18/07						
				appd	Joseph Hsia 10/18/07						
sheet index	revision sheet										

cage code 22526

Pro/E

Tous droits strictement reserves. Reproduction ou communication a des tiers interdite sous quelque forme que ce soit sans autorisation écrite du propriétaire. Propriete de c FCI. Droits de reproduction FCI.



All rights strictly reserved. Reproduction or issue to third parties in any form whatever is not permitted without written authority from the proprietor. Property of FCI. Copyright FCI.

PRODUCT NUMBER  
51939-325--  
NOTE: 3

NOTES:

1. DIMENSIONS AND TOLERANCES ARE IN ACCORDANCE WITH ASME Y14.5M, 1994 UNLESS OTHERWISE SPECIFIED.

CONNECTOR NOTES:

- 2. HOUSING MATERIAL: UL 94 V-0 GLASS FILLED  
HIGH-TEMP THERMOPLASTIC  
POWER CONTACT MATERIAL: COPPER ALLOY  
SIGNAL PIN MATERIAL: COPPER ALLOY
- 3. 51939-325; 51939-325LF PLATING SPEC. SEE PRINT:10064183
- 4. MANUFACTURER'S NAME, P/N, AND DATE CODE TO APPEAR ON THIS SURFACE.
- 5. PRODUCT SPECIFICATION GS-12-149.  
APPLICATION SPECIFICATION BUS-20-067.
- 6. PACKAGED IN TRAYS.

PCB NOTES:

- 7. ALL HOLE DIAMETERS ARE FINISHED HOLE SIZE.
- 8. MOUNTING HOLES, WHERE APPLICABLE, ARE UNPLATED.
- 9.  $\varnothing 1.151 \pm 0.025$  DRILLED HOLES PLATED WITH  
0.008 MIN SnPb OR Sn OVER 0.03  
TO 0.08 Cu PLATING TO ACHIEVE  
 $\varnothing 1.02 \pm .07$  HOLE.
- 10. "DIM XXX" TO BE DETERMINED BY THE CUSTOMER.
- 11. CONNECTOR KEEP-OUT ZONE.

mat'l code		SEE NOTE 2		tolerances unless otherwise specified		CUSTOMER		FCI		www.fciconnect.com		
ltr	ecr no.	dr	date	linear	0.X ± 0.3	COPY				title		
A					0.XX ± 0.13	projection				10P + 24S		code
				angles	0.XXX ± 0.051					RIGHT ANGLE SOLDER HEADER		
				dr	Sincere He 10/18/07	scale		product family		PwrBlade	213	
				enr	Sincere He 10/18/07	1:1		size		dwg no	4 of 4	
				chr	Gary Hsieh 10/18/07	A		51939-325				
				appd	Joseph Hsia 10/18/07							
sheet index	revision sheet											

cage code 22526

Pro/E