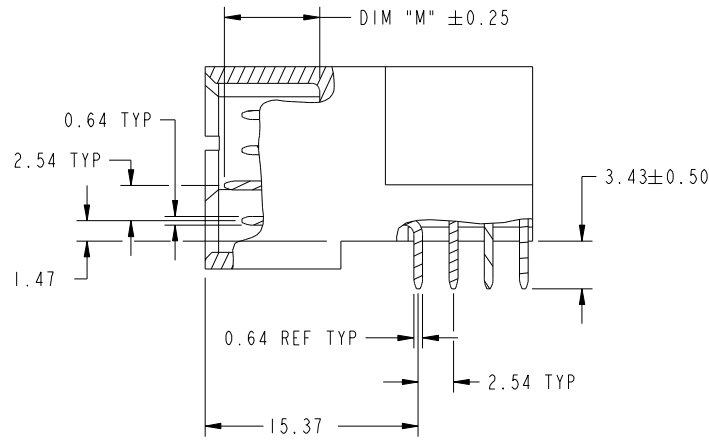


Tous droits strictement reserves. Reproduction ou communication a des tiers interdite sous quelque forme que ce soit sans autorisation écrite du propriétaire. Propriete de c FCI. Droits de reproduction FCI.

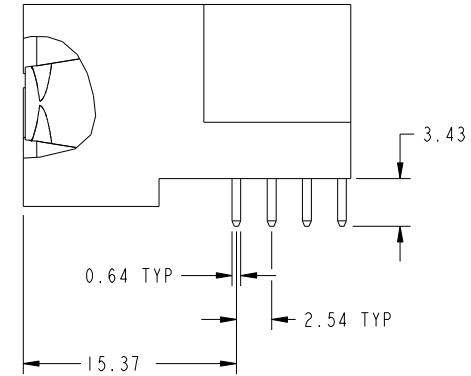
All rights strictly reserved. Reproduction or issue to third parties in any form whatever is not permitted without written authority from the proprietor. Property of FCI. Copyright FCI.



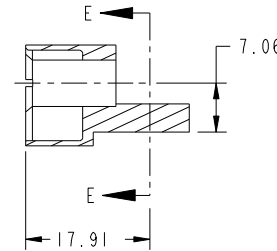
PRODUCT NUMBER
51939-573--
NOTE: 3



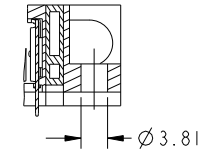
BROKEN-OUT SECTION A-A
SCALE 2:1



BROKEN-OUT SECTION B-B
SCALE 2:1



SECTION C-C



PARTIAL SECTION E-E

mat'l code				SEE NOTE	tolerances unless otherwise specified		CUSTOMER		 www.fciconnect.com	
ltr	ecr no.	dr	date	linear	0.X ±0.5	COPY		title		
A					0.XX ±0.25	projection		3ACP + 4P + 24S		
				angles	0.XXX ±0.1			RIGHT ANGLE SOLDER HEADER		
					0° ±2°			product family		code
		dr	X0 Wang	03/10/11		scale		PwrBlade		213
		enr	Anson Liu	03/10/11		1:1		size		sheet
		chr	PM ZHENG	03/10/11				A		2 of 4
		appd	JOSEPH HSIA	03/10/11				51939-573		
sheet index		revision sheet								

cage code 22526

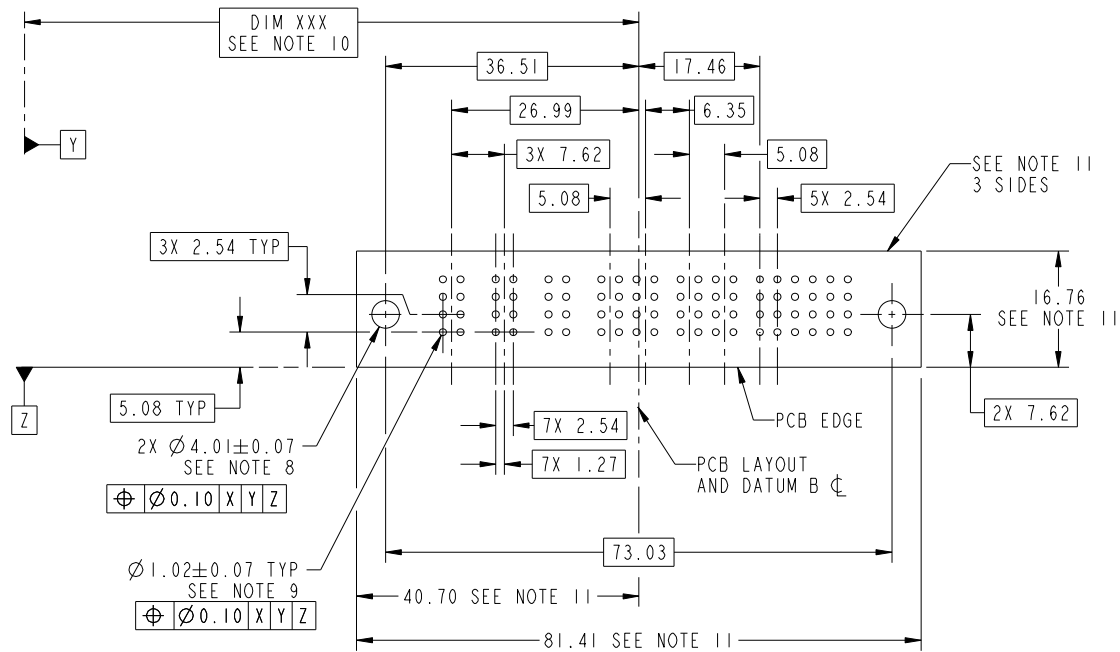
Pro/E

Tous droits strictement reserves. Reproduction ou communication a des tiers interdite sous quelque forme que ce soit sans autorisation écrite du propriétaire. Propriete de c FCI. Droits de reproduction FCI.



All rights strictly reserved. Reproduction or issue to third parties in any form whatever is not permitted without written authority from the proprietor. Property of FCI. Copyright FCI.

PRODUCT NUMBER
51939-573--
NOTE: 3



RECOMMENDED PCB LAYOUT

mat'l code				SEE NOTE	tolerances unless otherwise specified		CUSTOMER		FCI	
ltr	ecn no.	dr	date	linear	0.X ± 0.5	COPY		www.fciconnect.com		
A				linear	0.XX ± 0.25	projection		title		
				angles	0.XXX ± 0.1			3ACP + 4P + 24S RIGHT ANGLE SOLDER HEADER		
				dr	X0 Wang 03/10/11	MIM		product family		code
				enr	Anson Liu 03/10/11			PwrBlade		213
				chr	PM ZHENG 03/10/11	scale		size		sheet
				appd	JOSEPH HSIA 03/10/11	1:1		dwg no		3 of 4
sheet index		revision sheet						A		51939-573

cage code 22526

Pro/E

Tous droits strictement reserves. Reproduction ou communication a des tiers interdite sous quelque forme que ce soit sans autorisation écrite du propriétaire. Propriete de c FCI. Droits de reproduction FCI.



All rights strictly reserved. Reproduction or issue to third parties in any form whatever is not permitted without written authority from the proprietor. Property of FCI. Copyright FCI.

PRODUCT NUMBER
51939-573--
NOTE: 3

NOTES:

1. DIMENSIONS AND TOLERANCES ARE IN ACCORDANCE WITH ASME Y14.5M, 1994 UNLESS OTHERWISE SPECIFIED.

CONNECTOR NOTES:

- 2. HOUSING MATERIAL: UL 94 V-0 GLASS FILLED HIGH-TEMP THERMOPLASTIC
POWER CONTACT MATERIAL: COPPER ALLOY
SIGNAL PIN MATERIAL: COPPER ALLOY
- 3. SEE ITEM 1 & 2 IN PRINT 10064183 FOR PLATING SPEC OF 51939-573 AND 51939-573LF RESPECTIVELY.
- 4. MANUFACTURER'S NAME, DATE CODE AND OPTIONAL P/N TO APPEAR ON THIS SURFACE. THE P/N CAN BE OMITTED IF THERE IS NOT ENOUGH SPACE ON THIS SURFACE.
- 5. PRODUCT SPECIFICATION GS-12-149.
APPLICATION SPECIFICATION BUS-20-067.
- 6. PACKAGED IN TRAYS.

PCB NOTES:

- 7. ALL HOLE DIAMETERS ARE FINISHED HOLE SIZE.
- 8. MOUNTING HOLES, WHERE APPLICABLE, ARE UNPLATED.
- 9. $\varnothing 1.151 \pm 0.025$ DRILLED HOLES PLATED WITH
0.008 MIN SnPb OR Sn OVER 0.03
TO 0.08 Cu PLATING TO ACHIEVE
 $\varnothing 1.02 \pm 0.07$ HOLE.
- 10. "DIM XXX" TO BE DETERMINED BY THE CUSTOMER.
- 11. CONNECTOR KEEP-OUT ZONE.

mat'l code		SEE NOTE		tolerances unless otherwise specified		CUSTOMER		FCI		www.fciconnect.com	
ltr	ecn no.	dr	date	linear	0.X ± 0.5	COPY		projection	title 3ACP + 4P + 24S RIGHT ANGLE SOLDER HEADER		
A					0.XX ± 0.25	MIM					
				angles	0.XXX ± 0.1	1:1					
				dr	0° ± 2°	scale		product family		PwrBlade	code
				enr	X0 Wong 03/10/11	A		size	dwg no		213
				chr	Anson Liu 03/10/11	A		51939-573		sheet	4 of 4
				appd	PM ZHENG 03/10/11	A		A			
					JOSEPH HSIA 03/10/11	A		A			
sheet index	revision sheet										

cage code 22526

Pro/E