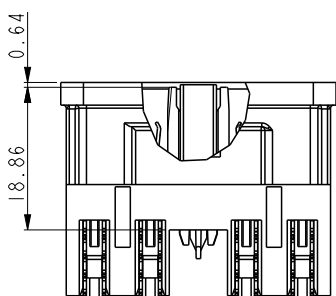
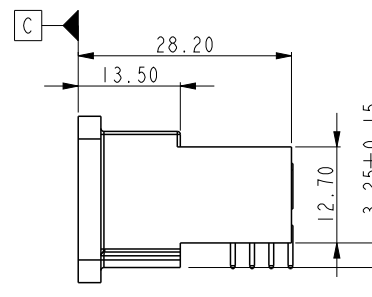
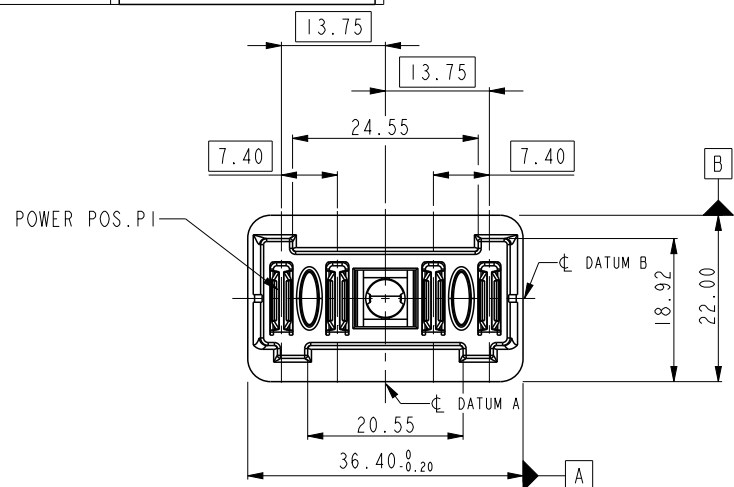
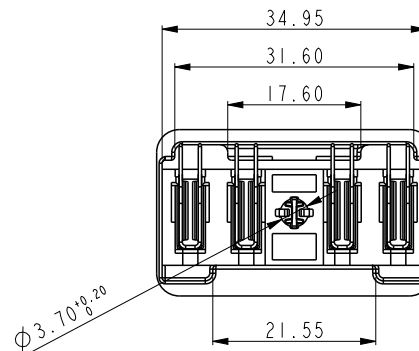


PRODUCT NO. 51939-732-- NOTE 3	POWER			
	P1	P2	CODING KEY	P3 P4
	PA	PA	PA	PA

CODE	CONTACT TYPE
PA	POWER



SECTION A-A



spec ref	*	dr	Sky Chen	2013/01/20	projection 	MM ←→	size	A4	scale	1:1
tolerance std	TOLERANCES UNLESS OTHERWISE SPECIFIED	eng	Sky Chen	2013/03/31			ecn no	-		
		chr	Tian-Xu Huang	2013/03/31						
surface	✓	appr	Pei-Ming Zheng	2013/03/31	product family	PWRBLADE	rel level	Released		
surf_spec	linear	0.X	±0.50	 www.fci.com	title 2P + Coding + 2P R/A STB Header	dwg no 51939-732	rev A			
		0.XX	±0.25							
		0.XXX	±0.10							
	angular	0°	±2°	cat. no.	-	Product - Customer Drw	sheet 1 of 5			

ProjE File - REV C - 2009-06-09

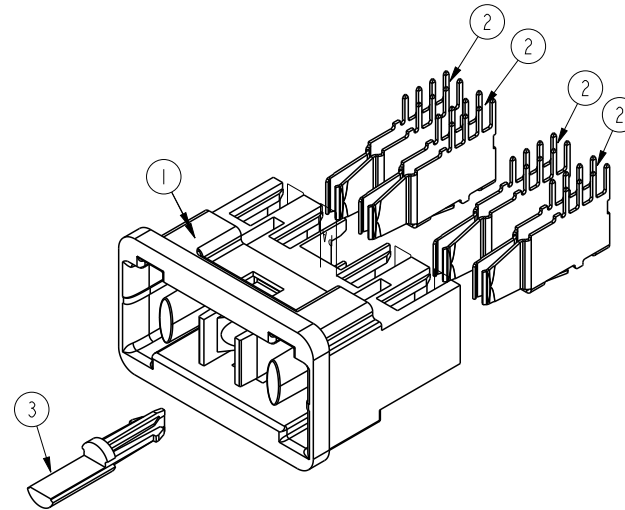
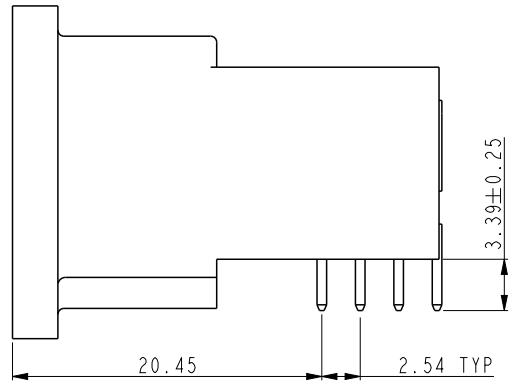


Copyright FCI.

PRODUCT NUMBER

51939-732__
NOTE: 3

INDEX	MODULE TYPE	QTY
1	HOUSING	1
2	POWER CONTACT	4
3	CODING KEY	1
NOTE 6		

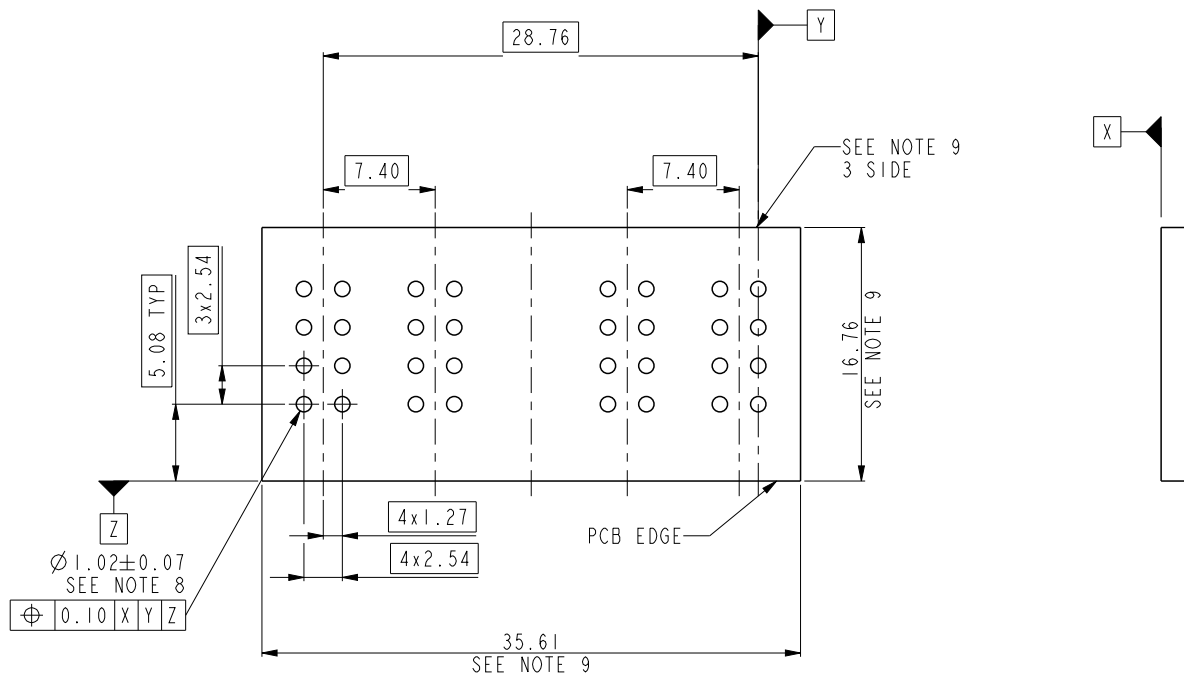


SCALE 2:1

dr	Sky Chen	2013/01/20	projection 	MM 	size	A4	scale	1:1			
eng	Sky Chen	2013/03/31			ecn no	-					
chr	Tian-Xu Huang	2013/03/31			rel level	Released					
appr	Pei-Ming Zheng	2013/03/31	product family	PWRBLADE							
		title			2P + Coding + 2P		dwg no		51939-732	rev	A
www.fci.com		cat. no.			-		Product - Customer Drw		sheet 2 of 5		

PRODUCT NUMBER

51939-732--
NOTE 3

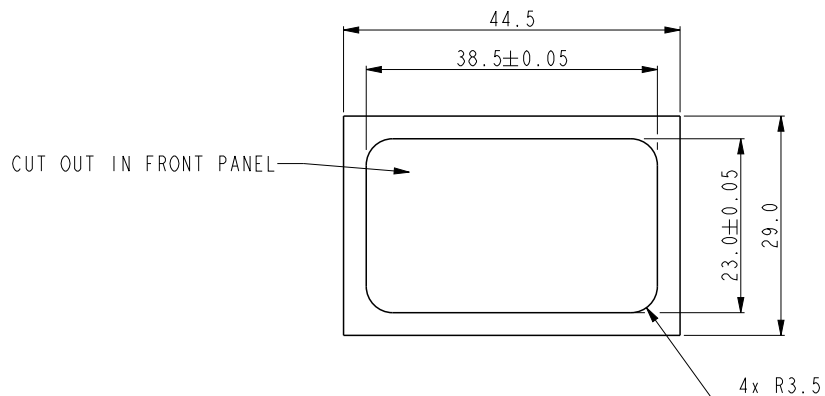


RECOMMENDED PCB LAYOUT

dr	Sky Chen	2013/01/20	projection 	MM 	size	A4	scale	2:1			
eng	Sky Chen	2013/03/31			ecn no	-					
chr	Tian-Xu Huang	2013/03/31			product family	PWRBLADE	rel level	Released			
appr	Pei-Ming Zheng	2013/03/31	www.fci.com		title	2P + Coding + 2P R/A STB Header		dwg no	51939-732	rev	A
cat. no.		-	Product - Customer Drw			sheet 3 of 5					

PRODUCT NUMBER

51939-732__
NOTE 3



RECOMMENDED PANEL LAYOUT



Copyright FCI.

dr	Sky Chen	2013/01/20	projection 	MM 	size	A4	scale	2:1			
eng	Sky Chen	2013/03/31			ecn no	-					
chr	Tian-Xu Huang	2013/03/31			product family	PWRBLADE	rel level	Released			
appr	Pei-Ming Zheng	2013/03/31			title	2P + Coding + 2P		dwg no	51939-732	rev	A
www.fci.com		cat. no.	-	Product - Customer Drw			sheet 4 of 5				

PRODUCT NUMBER

51939-732LF
NOTE 3

NOTES:

1. DIMENSIONS AND TOLERANCES ARE IN ACCORDANCE WITH ASME Y14.5M, 1994 UNLESS OTHERWISE SPECIFIED.

2. CONNECTOR NOTES:

HOUSING MATERIAL: UL 94 V-0 GLASS FILLED (HIGH-TEMP NYLON)
CODING KEY: UL 94 V-0 GLASS FILLED (HIGH-TEMP NYLON) - COLOR: RED
POWER CONTACT MATERIAL: COPPER ALLOY

3. PLATING:

SEE ITEM 1 & 2 IN PRINT 10092675 FOR PLATING SPEC OF 51939-732 AND 51939-732LF RESPECTIVELY.

PART NUMBER 51939-732LF MEETS EUROPEAN UNION DIRECTIVE AND OTHER COUNTRY REGULATIONS AS DESCRIBED IN GS-22-008.

THE HOUSING WILL WITHSTAND EXPOSURE TO 260° PEAK TEMPERATURE FOR 10 SECONDS IN A WAVE SOLDER APPLICATION WITH A CIRCUIT BOARD.

4. MANUFACTURER'S NAME, P/N, AND DATE CODE TO APPEAR ON THIS SURFACE.

5. PRODUCT SPECIFICATION GS-12-389.
APPLICATION SPECIFICATION BUS-20-067.

6. PACKAGED IN TRAYS.
THE CODING KEY IS PACKAGED WITH CONNECTOR IN SAME BOX SEPARATELY. AND IT WILL BE ASSEMBLED BY CUSTOMER.

PCB NOTES:

7. ALL HOLE DIAMETERS ARE FINISHED HOLE SIZE.

8. $\varnothing 1.151 \pm 0.025$ DRILLED HOLES PLATED WITH 0.008 MIN Sn OVER 0.03 TO 0.08 Cu PLATING TO ACHIEVE

9. CONNECTOR KEEP-OUT ZONE.

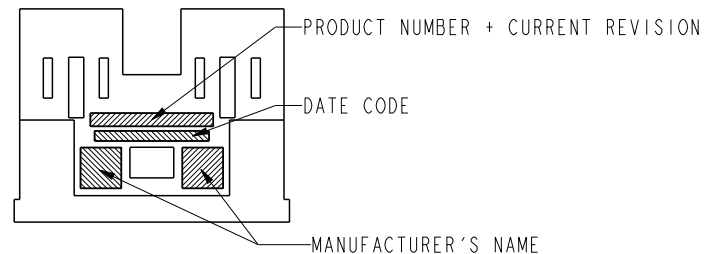



FIGURE 1
SEE NOTE 4

dr	Sky Chen	2013/01/20	projection 	MM 	size	A4	scale	1:1
eng	Sky Chen	2013/03/31			ecn no	-		
chr	Tian-Xu Huang	2013/03/31			rel level	Released		
appr	Pei-Ming Zheng	2013/03/31	product family					
	title	2P + Coding + 2P R/A STB Header		dwg no	51939-732		rev	A
www.fci.com	cat. no.	Product - Customer Drw			sheet 5 of 5			


 Copyright FCI.