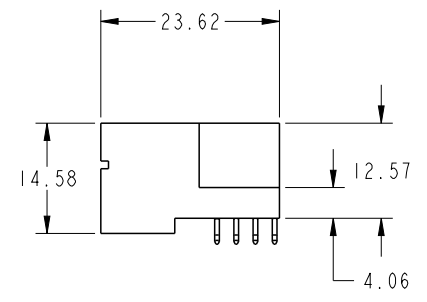
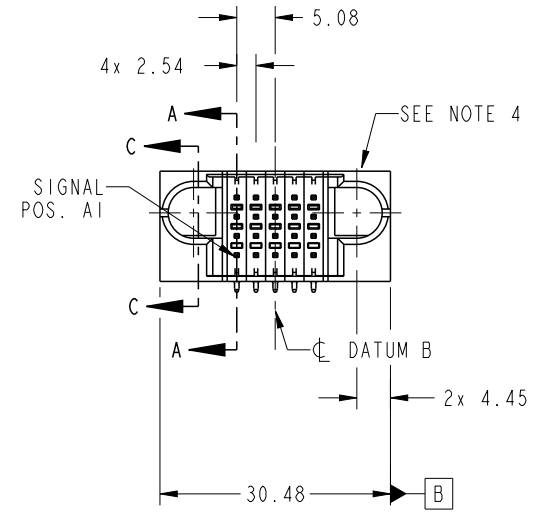


PRODUCT NO.	ROWS	SIGNAL				
		E1	1	2	3	4
51939-83INSP-- NOTE 3	D C B A					



CODE	DIM "M" MATING LENGTH	CONTACT TYPE
SA	[6.86]	SIGNAL
SB	[6.86]	SIGNAL
SC	[6.86]	SIGNAL
SD	[6.86]	SIGNAL

spec ref	*	dr	Ruan MT	2014/01/22	projection	MM	size	A4	scale	1:1							
tolerance std	TOLERANCES UNLESS OTHERWISE SPECIFIED	eng	Ruan MT	2014/02/14			ecn no	-									
ASME Y14.5		chr	-	-													
surface	<input checked="" type="checkbox"/> linear <input type="checkbox"/> angular	appr	Pei-Ming Zheng	2014/02/14	product family	PwrBlade		rel level	Released								
ASME Y14.5		<table border="1"> <tr> <td>0.X</td> <td>±0.5</td> </tr> <tr> <td>0.XX</td> <td>±0.25</td> </tr> <tr> <td>0.XXX</td> <td>±0.1</td> </tr> </table>	0.X	±0.5	0.XX	±0.25	0.XXX	±0.1			title	20S		dwg no	51939-83INSP		rev
0.X	±0.5																
0.XX	±0.25																
0.XXX	±0.1																
		www.fci.com		cat. no.	-		Product - Customer Drw		sheet 1 of 4								

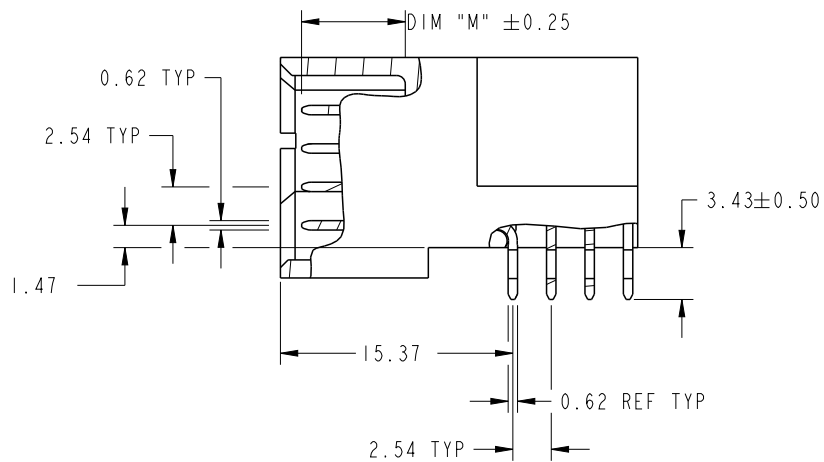
PrdE File - REV C - 2009-06-09



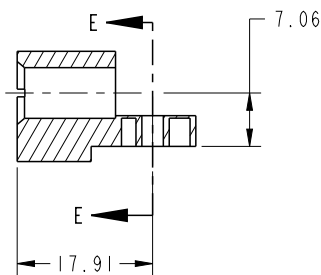
Copyright FCI.

PRODUCT NUMBER

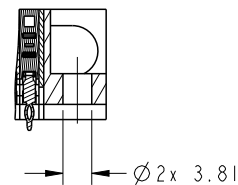
51939-83INSP_
NOTE: 3



BROKEN-OUT SECTION A-A
SCALE 2:1



SECTION C-C

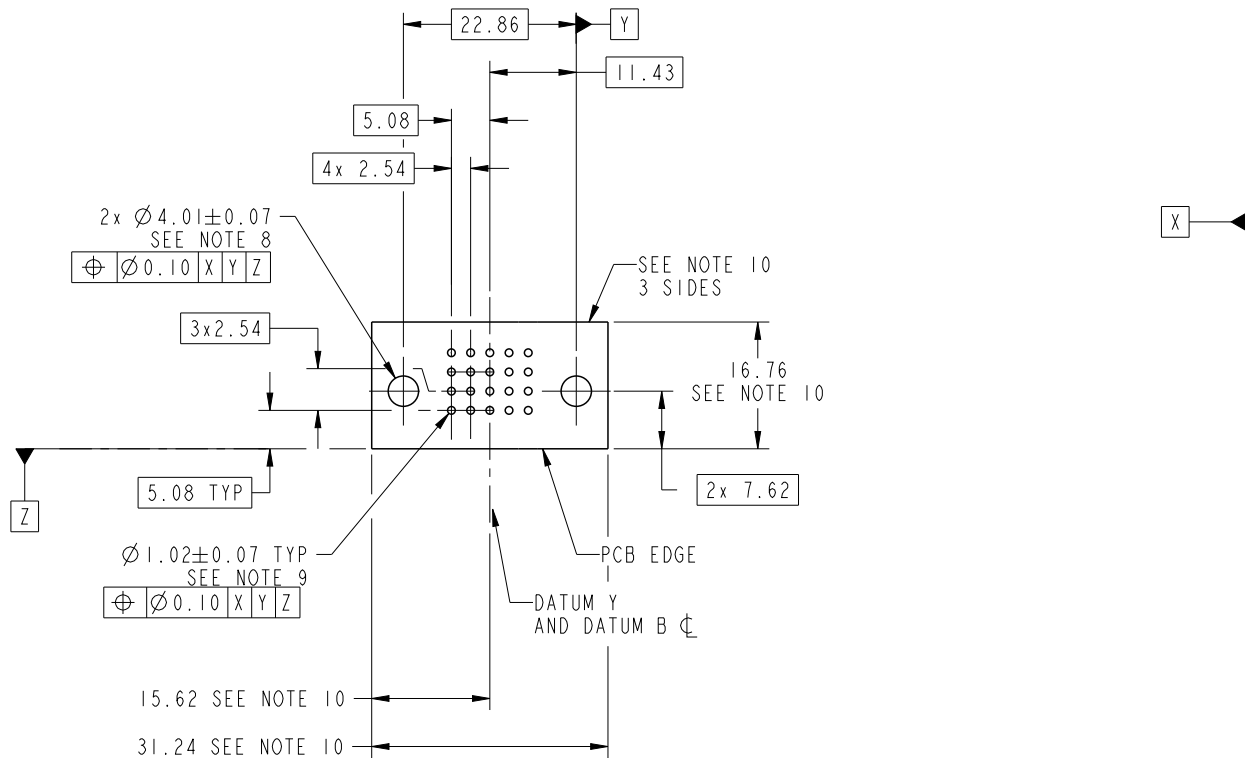


PARTIAL SECTION E-E

dr	Ruan MT	2014/01/22	projection 	MM 	size	A4	scale	1:1
eng	Ruan MT	2014/02/14			ecn no	-		
chr	-	-						
appr	Pei-Ming Zheng	2014/02/14	product family	PwrBlade	rel level	Released		
	title	20S RIGHT ANGLE PRESS FIT HEADER		dwg no	51939-83INSP		rev	A
www.fci.com	cat. no.	-	Product - Customer Drw			sheet 2 of 4		

PRODUCT NUMBER

51939-831NSP__
NOTE: 3



RECOMMENDED PCB LAYOUT

dr	Ruan MT	2014/01/22	projection 	MM 	size	A4	scale	1:1
eng	Ruan MT	2014/02/14			ecn no	-		
chr	-	-			rel level	Released		
appr	Pei-Ming Zheng	2014/02/14	product family	PwrBlade				
	title	20S RIGHT ANGLE PRESS FIT HEADER		dwg no	51939-831NSP		rev	A
www.fci.com	cat. no.	-	Product - Customer Drw		sheet 3 of 4			

PRODUCT NUMBER

51939-83INSP--
NOTE: 3

NOTES:

1. DIMENSIONS AND TOLERANCES ARE IN ACCORDANCE WITH ASME Y14.5M, 1994 UNLESS OTHERWISE SPECIFIED.

CONNECTOR NOTES:

- 2. HOUSING MATERIAL: UL 94 V-0 GLASS FILLED HIGH-TEMP THERMOPLASTIC
POWER CONTACT MATERIAL: COPPER ALLOY
SIGNAL PIN MATERIAL: COPPER ALLOY
- 3. SEE ITEM 3 & 4 IN PRINT 10064183 FOR PLATING SPEC OF 51939-83INSP AND 51939-83INSPLF RESPECTIVELY.
- 4. MANUFACTURER'S NAME, DATE CODE AND OPTIONAL P/N TO APPEAR ON THIS SURFACE. THE MARK CAN BE OMITTED IF THERE IS NOT ENOUGH SPACE ON THIS SURFACE.
- 5. PRODUCT SPECIFICATION GS-12-149.
APPLICATION SPECIFICATION BUS-20-067.
- 6. PACKAGED IN TRAYS.

PCB NOTES:

- 7. ALL HOLE DIAMETERS ARE FINISHED HOLE SIZE.
- 8. MOUNTING HOLES, WHERE APPLICABLE, ARE UNPLATED.
- 9. $\varnothing 1.151 \pm 0.025$ DRILLED HOLES PLATED WITH
0.008 MIN SnPb OR Sn OVER 0.03
TO 0.08 Cu PLATING TO ACHIEVE
 $\varnothing 1.02 \pm 0.07$ HOLE.
- 10. CONNECTOR KEEP-OUT ZONE.

dr	Ruan MT	2014/01/22	projection 	MM 	size	A4	scale	1:1	
eng	Ruan MT	2014/02/14			ecn no	-			
chr	-	-							
appr	Pei-Ming Zheng	2014/02/14	product family	PwrBlade	rel level	Released			
	title	20S RIGHT ANGLE PRESS FIT HEADER			dwg no	51939-83INSP		rev	A
www.fci.com	cat. no.	-	Product - Customer Drw			sheet 4 of 4			