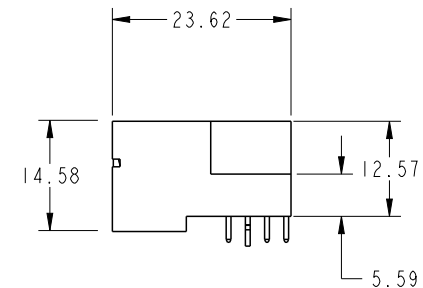
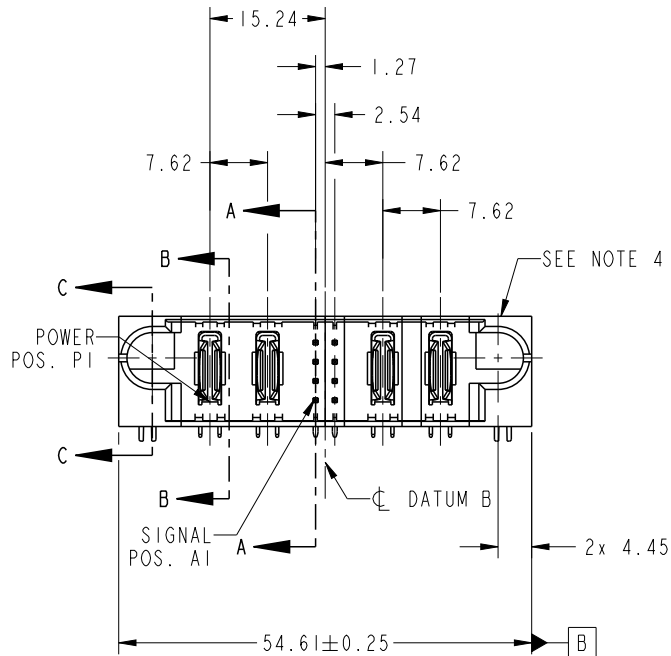


PRODUCT NO.	ROWS	POWERS		SIGNAL		POWERS		
		E1	P1	P2	1 2	P3	P4	E2
51939-954-- NOTE 3	DCBA							



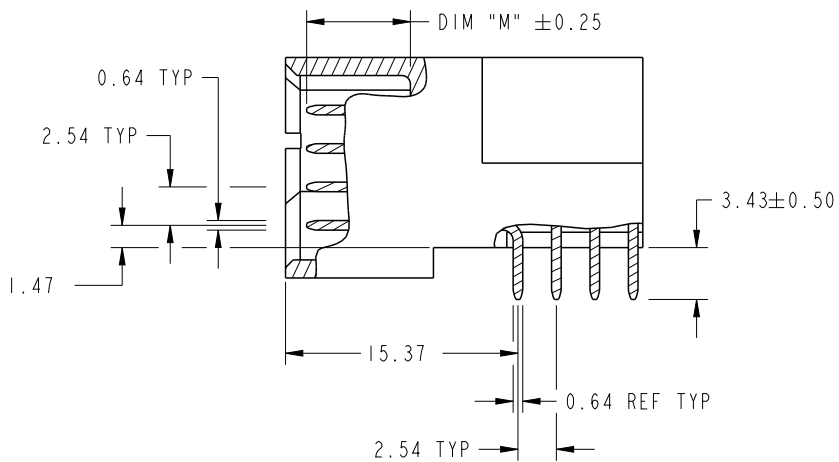
CODE	DIM "M" MATING LENGTH	CONTACT TYPE
U	[6.86]	SIGNAL
T	[6.86]	SIGNAL
S	[6.86]	SIGNAL
R	[6.86]	SIGNAL
PA	[N/A]	POWER
HA	[N/A]	HOLD-DOWN

spec ref	*	dr	Ruan MT	2015/01/14	projection	MM	size	A4	scale	1:1
tolerance std	ASME Y14.5	eng	Luo Weller	2015/02/15			ecn no	-	rel level	Released
TOLERANCES UNLESS OTHERWISE SPECIFIED		chr	-	-						
surface	linear	appr	Pei-Ming Zheng	2015/02/15	product family	PwrBlade	rev	51939-954	A	
ASME Y14.5	angular	www.fci.com		cat. no.	-	Product - Customer Drw	sheet 1 of 4			
	0.X	±0.5		title		2ACP + 8S + 2ACP	dwg no	51939-954	A	
	0.XX	±0.25		RIGHT ANGLE STB HEADER						
	0.XXX	±0.1								
	0°	±2°								

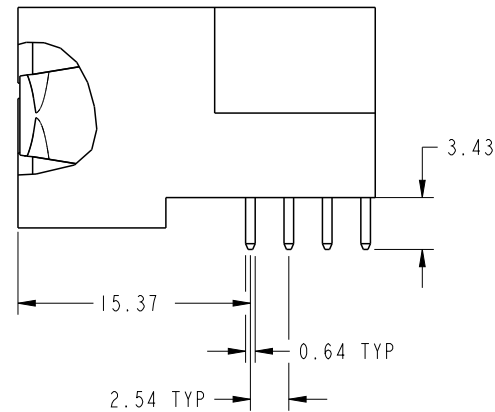
PrdE File - REV C - 2009-06-09

PRODUCT NUMBER

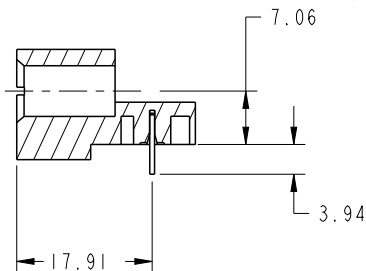
51939-954--
NOTE: 3



BROKEN-OUT SECTION A-A
SCALE 2:1



BROKEN-OUT SECTION B-B
SCALE 2:1

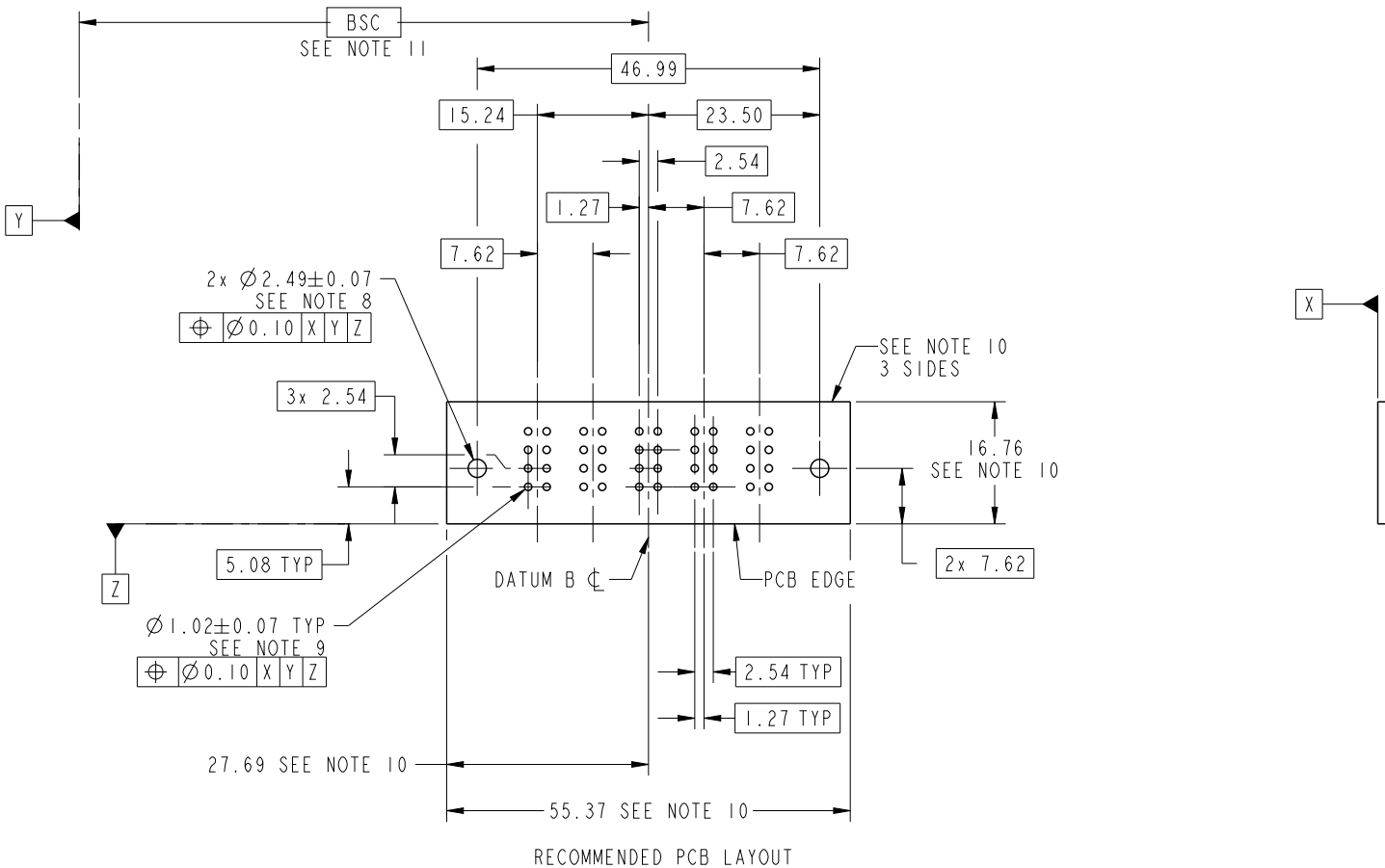


SECTION C-C

dr	Ruan MT	2015/01/14	projection 	MM 	size	A4	scale	1:1
eng	Luo Weller	2015/02/15			ecn no	-		
chr	-	-			rel level	Released		
appr	Pei-Ming Zheng	2015/02/15	product family	PwrBlade	rev	A		
		title 2ACP + 8S + 2ACP RIGHT ANGLE STB HEADER	dwg no 51939-954	cat. no. -	Product - Customer Drw	sheet 2 of 4		

PRODUCT NUMBER

51939-954__
NOTE: 3



RECOMMENDED PCB LAYOUT

dr	Ruan MT	2015/01/14	projection 	MM 	size	A4	scale	1:1
eng	Luo Weller	2015/02/15			ecn no	-		
chr	-	-			rel level	Released		
appr	Pei-Ming Zheng	2015/02/15	product family	PwrBlade	rev	A		
	title	2ACP + 8S + 2ACP RIGHT ANGLE STB HEADER		dwg no	51939-954	rev	A	
www.fci.com	cat. no.	-	Product - Customer Drw	sheet 3 of 4				

PRODUCT NUMBER

51939-954__
NOTE: 3

NOTES:

1. DIMENSIONS AND TOLERANCES ARE IN ACCORDANCE WITH ASME Y14.5M, 1994 UNLESS OTHERWISE SPECIFIED.

CONNECTOR NOTES:

- 2. HOUSING MATERIAL: UL 94 V-0 GLASS FILLED HIGH-TEMP THERMOPLASTIC
POWER CONTACT MATERIAL: COPPER ALLOY
SIGNAL PIN MATERIAL: COPPER ALLOY
- 3. SEE ITEM 1 & 2 IN PRINT 10064183 FOR PLATING SPEC OF 51939-954 AND 51939-954LF RESPECTIVELY.
- 4. MANUFACTURER'S NAME, DATE CODE AND OPTIONAL P/N TO APPEAR ON THIS SURFACE. THE MARK CAN BE OMITTED IF THERE IS NOT ENOUGH SPACE ON THIS SURFACE.
- 5. PRODUCT SPECIFICATION GS-12-149.
APPLICATION SPECIFICATION BUS-20-067.
- 6. PACKAGED IN TRAYS.

PCB NOTES:

- 7. ALL HOLE DIAMETERS ARE FINISHED HOLE SIZE.
- 8. MOUNTING HOLES, WHERE APPLICABLE, ARE UNPLATED.
- 9. $\varnothing 1.151 \pm 0.025$ DRILLED HOLES PLATED WITH
0.008 MIN SnPb OR Sn OVER 0.03
TO 0.08 Cu PLATING TO ACHIEVE
 $\varnothing 1.02 \pm 0.07$ HOLE.
- 10. CONNECTOR KEEP-OUT ZONE.
- 11. DATUM AND BASIC DIMENSIONS ARE ESTABLISHED BY CUSTOMER.

dr	Ruan MT	2015/01/14	projection 	MM 	size	A4	scale	1:1	
eng	Luo Weller	2015/02/15			ecn no	-			
chr	-	-							
appr	Pei-Ming Zheng	2015/02/15	product family	PwrBlade	rel level	Released			
	title	2ACP + 8S + 2ACP RIGHT ANGLE STB HEADER			dwg no	51939-954		rev	A
www.fci.com	cat. no.	-	Product - Customer Drw			sheet 4 of 4			



Copyright FCI.