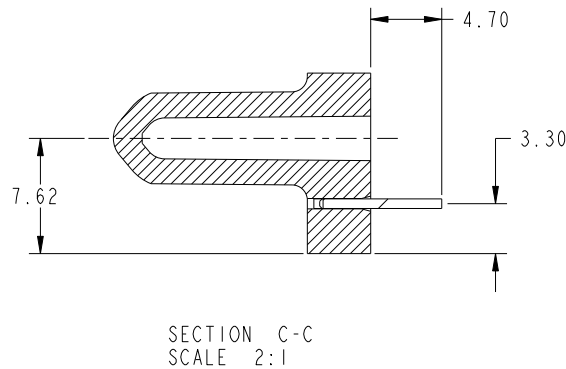
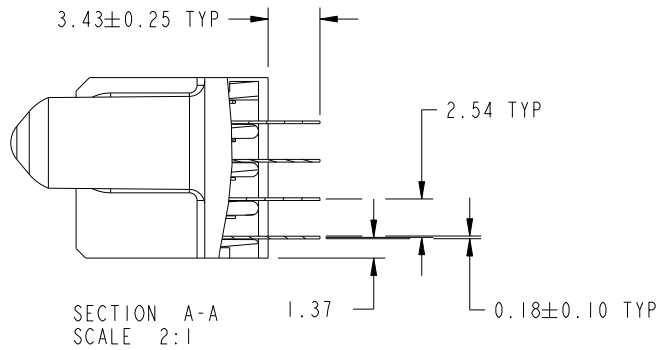


PRODUCT NUMBER

51940-594LF



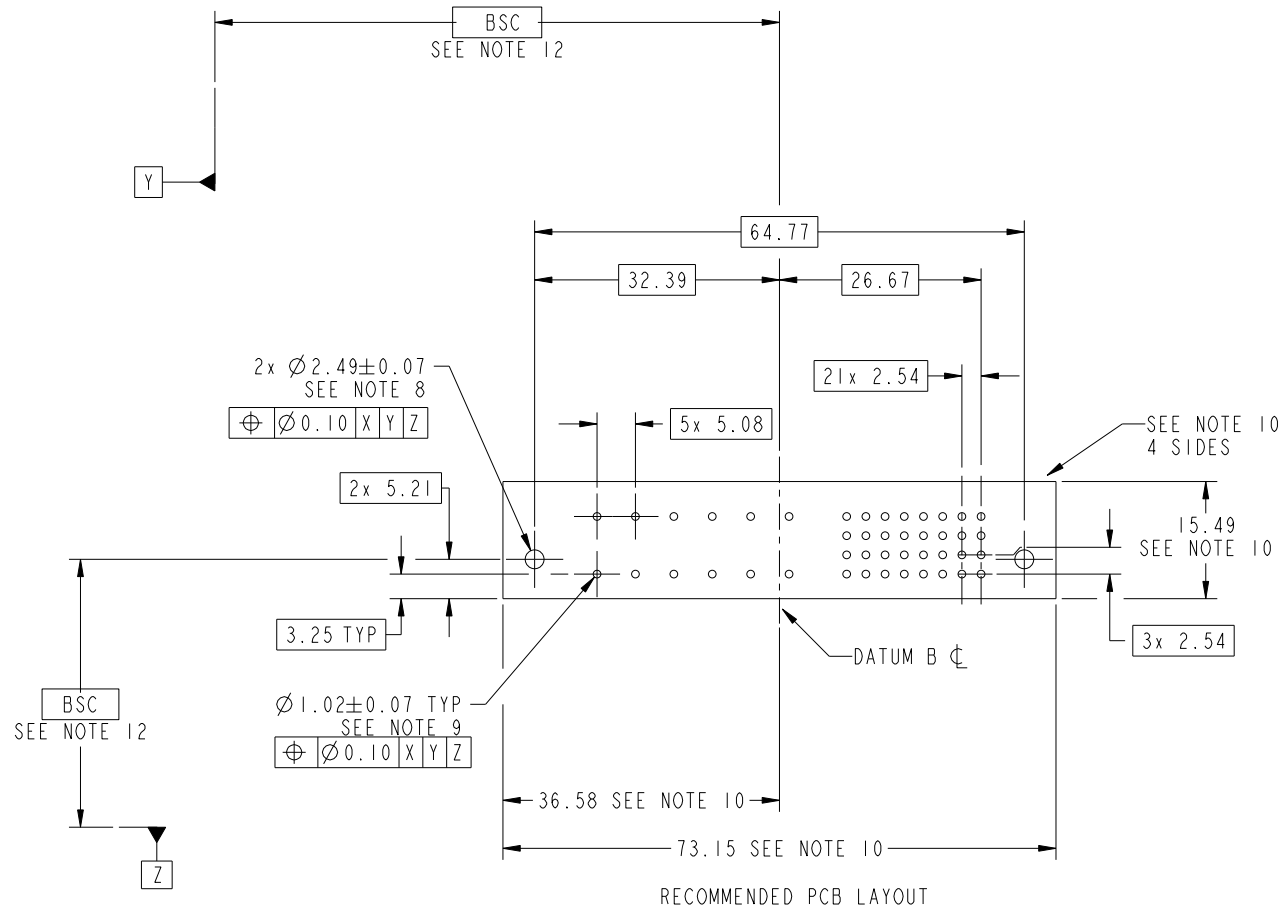
dr	Ruan MT	2015/12/21	projection 	MM ←————→	size	A4	scale	1:1
eng	Ruan MT	2016/01/07			ecn no	-		
chr	Fancy Zhang	2016/01/06			product family	PwrBlade	rel level	Released
appr	Pei-Ming Zheng	2016/01/07			rev	51940-594	A	
www.fci.com		cat. no.	Product - Customer Drw		sheet 2 of 4			



Copyright FCI.

PRODUCT NUMBER

51940-594LF



RECOMMENDED PCB LAYOUT

dr	Ruan MT	2015/12/21	projection 	MM 	size	A4	scale	1:1	
eng	Ruan MT	2016/01/07			ecn no	-			
chr	Fancy Zhang	2016/01/06			rel level	Released			
appr	Pei-Ming Zheng	2016/01/07	product family	PwrBlade					
		title	88S VERTICAL STB RECEPT		dwg no	51940-594		rev	A
www.fci.com		cat. no.	*		Product - Customer Drw		sheet 3 of 4		

PRODUCT NUMBER

51940-594LF

NOTES:

1. DIMENSIONS AND TOLERANCES ARE IN ACCORDANCE WITH ASME Y14.5M, 1994 UNLESS OTHERWISE SPECIFIED.

CONNECTOR NOTES:

2 HOUSING MATERIAL: UL 94 V-0 GLASS FILLED HIGH-TEMP THERMOPLASTIC
POWER CONTACT MATERIAL: COPPER ALLOY
SIGNAL PIN MATERIAL: COPPER ALLOY

3. SEE FCI PLATING SPEC 10064183.

4 MANUFACTURER'S NAME, DATE CODE AND OPTIONAL P/N TO APPEAR ON THIS SURFACE. THE MARK CAN BE OMITTED IF THERE IS NOT ENOUGH SPACE ON THIS SURFACE.

5. PRODUCT SPECIFICATION GS-12-149.
APPLICATION SPECIFICATION BUS-20-067.

6. PACKAGED IN TRAYS.

PCB NOTES:

7. ALL HOLE DIAMETERS ARE FINISHED HOLE SIZE.

8 MOUNTING HOLES, WHERE APPLICABLE, ARE UNPLATED.

9 $\varnothing 1.151 \pm 0.025$ DRILLED HOLES PLATED WITH
0.008 MIN SnPb OR Sn OVER 0.03
TO 0.08 Cu PLATING TO ACHIEVE
 $\varnothing 1.02 \pm 0.07$ HOLE.

10 CONNECTOR KEEP-OUT ZONE.

11. THE VOID CORING IN BETWEEN POWER MODULES, SIGNAL MODULES AND END MODULES ARE OPTIONAL AND THE SHAPE MAY BE DIFFERENT FOR OPTIMIZE THE MOLDING PROCESS. THE VOID CORING WILL NOT EFFECT TO PRODUCT FUNCTION.

12. DATUM AND BASIC DIMENIONS ARE ESTABLISHED BY CUSTOMER.

dr	Ruan MT	2015/12/21	projection 	MM 	size	A4	scale	1:1
eng	Ruan MT	2016/01/07			ecn no	-		
chr	Fancy Zhang	2016/01/06			product family	PwrBlade	rel level	Released
appr	Pei-Ming Zheng	2016/01/07			rev	51940-594	A	
		title	88S VERTICAL STB RECEIPT		cat. no.	Product - Customer Drw		sheet 4 of 4
www.fci.com								



Copyright FCI.