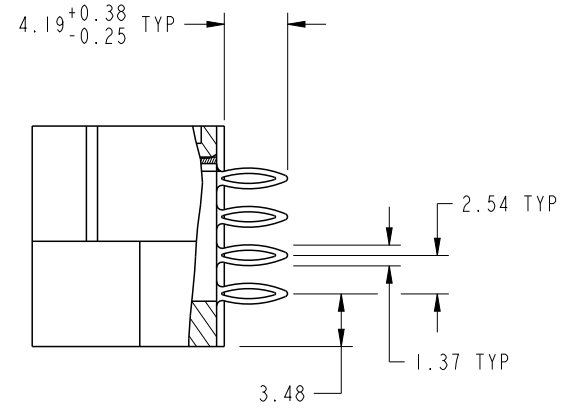
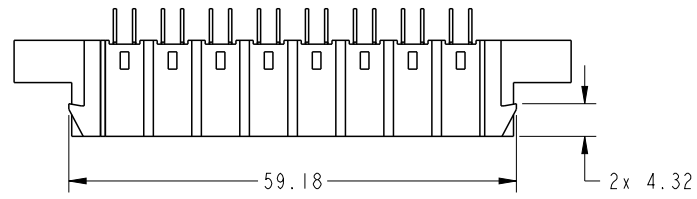
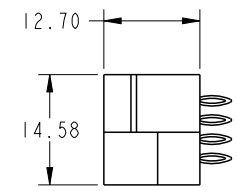
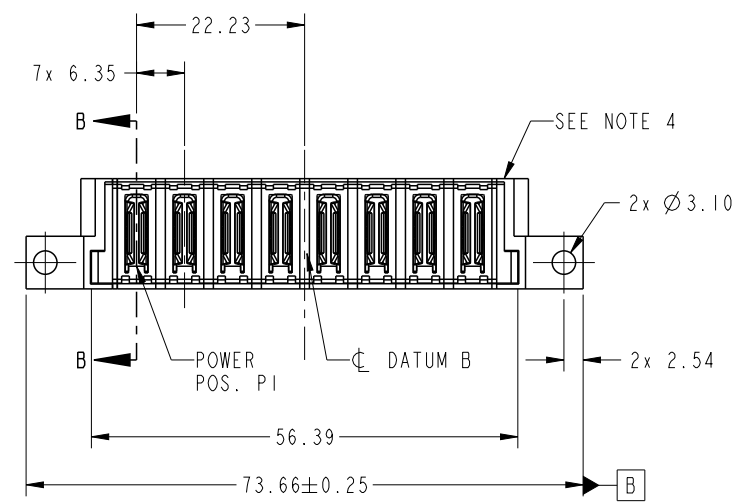


PRODUCT NO.	POWER								E2
	E1	P1	P2	P3	P4	P5	P6	P7	
51963-101LF	PC	PC	PC	PC	PC	PC	PC	PC	PC



SECTION B-B
SCALE 2:1



CODE	DIM "M" MATING LENGTH	CONTACT TYPE
PC	[N/A]	POWER

spec ref	See Notes			dr	De-Ming Lu	2015/11/23	projection 	MM ←→	size	A4	scale	1:1
tolerance std	TOLERANCES UNLESS OTHERWISE SPECIFIED			eng	Fang Qian	2015/12/24			ecn no	-	rel level	Released
See Notes				chr	Fancy Zhang	2015/12/23						
surface	linear	0.X	±0.50	appr	Pei-Ming Zheng	2015/12/24	product family	PwrBlade		rev	A	
		0.XX	±0.25	www.fci.com			title	8P	cat. no.	&model_name	Product - Customer Drw	sheet 1 of 3
		0.XXX	±0.10									
	angular	0°	±2°				dwg no	51963-101				

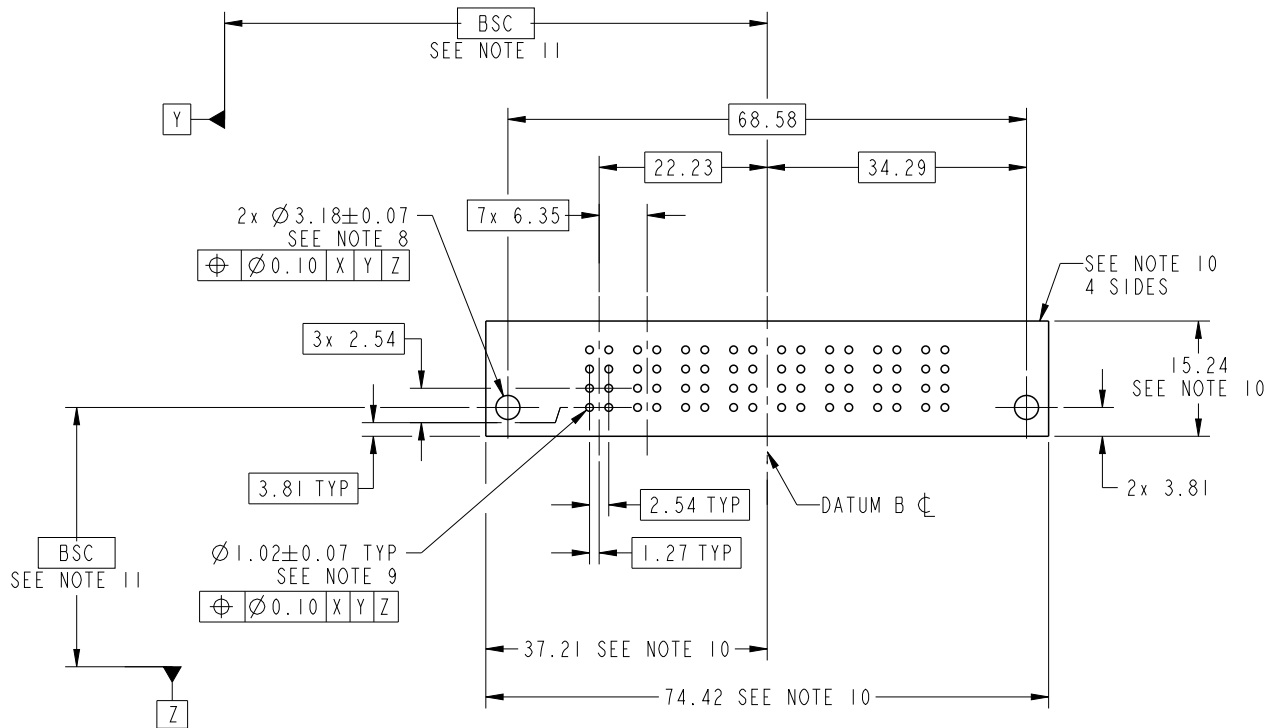
PrdE File - REV C - 2009-06-09



Copyright FCI.

PRODUCT NUMBER

51963-101LF



RECOMMENDED PCB LAYOUT

spec ref	See Notes			dr	De-Ming Lu	2015/11/23	projection 	MM ←→	size	A4	scale	1:1
tolerance std	TOLERANCES UNLESS OTHERWISE SPECIFIED			eng	Fang Qian	2015/12/24			ecn no	-		
				chr	Fancy Zhang	2015/12/23				rel level	Released	
surface	linear	0.X	±0.50	appr	Pei-Ming Zheng	2015/12/24	product family	PwrBlade		rev	A	
		0.XX	±0.25				title	8P		dwg no	51963-101	
		0.XXX	±0.10				cat. no.	&model_name	Product - Customer Drw			sheet 2 of 3
	angular	0°	±2°	www.fci.com			Product - Customer Drw		sheet 2 of 3			

PRODUCT NUMBER

51963-101LF

NOTES:

1. DIMENSIONS AND TOLERANCES ARE IN ACCORDANCE WITH ASME Y14.5M, 1994 UNLESS OTHERWISE SPECIFIED.

CONNECTOR NOTES:

② HOUSING MATERIAL: UL 94 V-0 GLASS FILLED HIGH-TEMP THERMOPLASTIC
POWER CONTACT MATERIAL: COPPER ALLOY
SIGNAL PIN MATERIAL: COPPER ALLOY

3. SEE FCI PLATING SPEC10064183.

④ MANUFACTURER'S NAME, DATE CODE AND OPTIONAL P/N TO APPEAR ON THIS SURFACE. THE MARK CAN BE OMITTED IF THERE IS NOT ENOUGH SPACE ON THIS SURFACE.

5. PRODUCT SPECIFICATION GS-12-149.
APPLICATION SPECIFICATION BUS-20-067.

6. PACKAGED IN TRAYS.

PCB NOTES:

7. ALL HOLE DIAMETERS ARE FINISHED HOLE SIZE.

8. MOUNTING HOLES, WHERE APPLICABLE, ARE UNPLATED.

⑨ $\varnothing 1.151 \pm 0.025$ DRILLED HOLES PLATED WITH 0.008 MIN SnPb OR Sn OVER .001 [0.03] TO 0.08 Cu PLATING TO ACHIEVE $\varnothing 1.02 \pm 0.07$ HOLE.

⑩ CONNECTOR KEEP-OUT ZONE.

⑪ DATUM AND BASIC DIMENSIONS ARE ESTABLISHED BY CUSTOMER.

dr	De-Ming Lu	2015/11/23	projection 	MM 	size	A4	scale	1:1			
eng	Fang Qian	2015/12/24			ecn no	-					
chr	Fancy Zhang	2015/12/23			product family	PwrBlade	rel level	Released			
appr	Pei-Ming Zheng	2015/12/24			www.fci.com	title	8P VERTICAL PRESS-FIT HEADER	dwg no	51963-101	rev	A
		cat. no.	-	Product - Customer Drw			sheet 3 of 3				



Copyright FCI.