

PRODUCT NUMBER  
57202-XXX-XXXXXLF

PLATING  
S = 0.38µm GOLD/GXT ON CONTACT AREA  
2µm MIN MATTE TIN ON TAIL  
G = 0.76µm GOLD/GXT ON CONTACT AREA  
2µm MIN MATTE TIN ON TAIL  
F = GOLD FLASH ON CONTACT AREA  
2µm MIN MATTE TIN ON TAIL  
1.27µm MIN NICKEL UNDERPLATING

STYLE	POST LENGTH
51	2.00
52	4.00
53	3.50
54	2.50

NOTES:

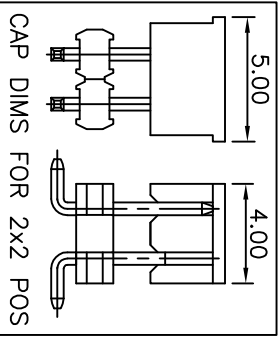
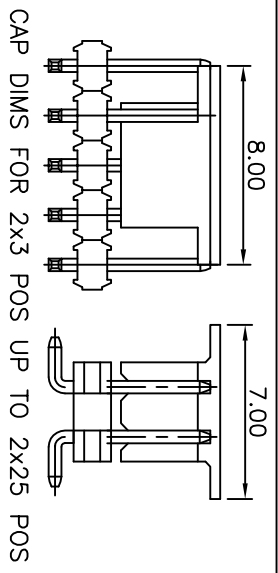
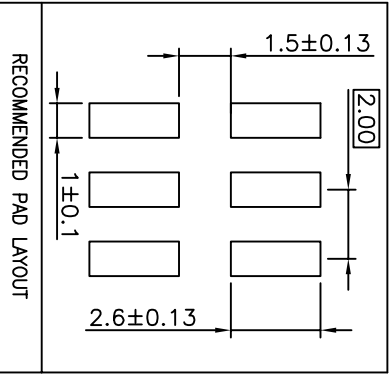
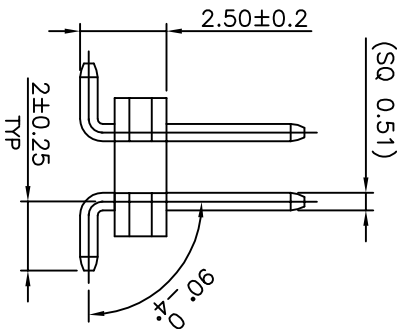
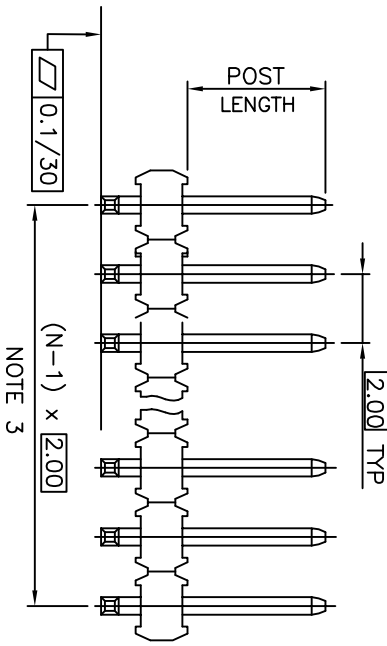
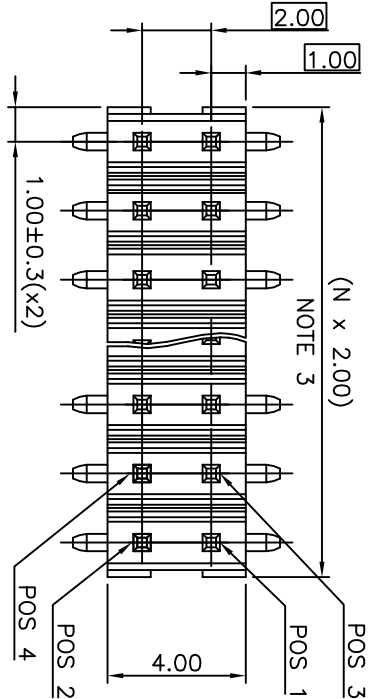
- MATERIAL HOUSING: HIGH TEMP. THERMOPLASTIC  
UL 94V-0, COLOR BLACK
- MATERIAL TERMINAL: COPPER ALLOY
- TO DETERMINE DIMENSIONS:  
N = NUMBER OF POSITIONS PER ROW.
- 7N MIN. PIN RETENTION IN EITHER DIRECTION.
- PACKAGING:  
= PLASTIC BOX.  
- = PLASTIC BOX WHEN POLARISATION FEATURE APPLICABLE.  
U = TUBE AVAILABLE FROM 04 TO 25 POS PER ROW.  
A = TAPE AND REEL WITH PICK UP CAP INSTALLED  
IN THE CENTER OF THE PRODUCT FOR PICK AND PLACE  
SEE TA 884 FOR PRODUCT AVAILABILITY.  
K = TAPE AND REEL WITHOUT CAP, SEE TA884 FOR AVAILABILITY.

6. FOR POLARIZATION, SPECIFY POSITION NUMBER TO OMIT PIN.  
EXAMPLE : 03 = OMIT PIN POSITION 3, SEE TOP VIEW.  
OMIT FROM PRODUCT NUMBER IF THIS FEATURE IS NOT APPLICABLE.

7. ROHS COMPATIBLE PRODUCT SPECIFICATIONS

- d - PLATING:  
- "LF" MEANS THE PRODUCT IS LEAD-FREE,  
2µm MINIMUM MATTE TIN OVER 1.27µm  
MINIMUM NICKEL UNDERPLATE.
- b - MANUFACTURING PROCESS COMPATIBILITY  
- THE HOUSING WILL WITHSTAND EXPOSURE TO  
260°C PEAK TEMPERATURE FOR 30 SECONDS  
IN A CONNECTION, INFRA-RED OR VAPOR  
PHASE REFLOW OVEN.
- c - LABELLING:  
- MEETS PACKAGING SPECS AS PER GS-14-920
- d - LEGAL STATEMENT : SEE GS-47-0004

TOP VIEW



mat'l. code	ISO 1302	tolerance	ISO 406	ISO	projection	mm	scale	1:1
ltr	ecn no	dr	date	surface	tolerances unless otherwise specified	projection	mm	scale
L	F09-0087	J00	09.09.04	linear	XX ±0.3	mm	1:1	
M	F11-0028	LMU	11.05.12	linear	XXX ±0.05	mm	1:1	
N	B-19190	LMU	14.10.24	linear	XXX ±0.05	mm	1:1	
H	F06-021d	LMU	06.07.04	linear	04.05.06	mm	1:1	
J	F06-0327	LMU	07.01.03	linear	04.11.25	mm	1:1	
K	F08-0148	E1A	17.04.08	linear	04.11.25	mm	1:1	



product family  
MINITEK

title  
UNSH HEADER  
2.00 mm VERTICAL SMT

dwg no  
57202

sheet 1 of 1

size  
A3