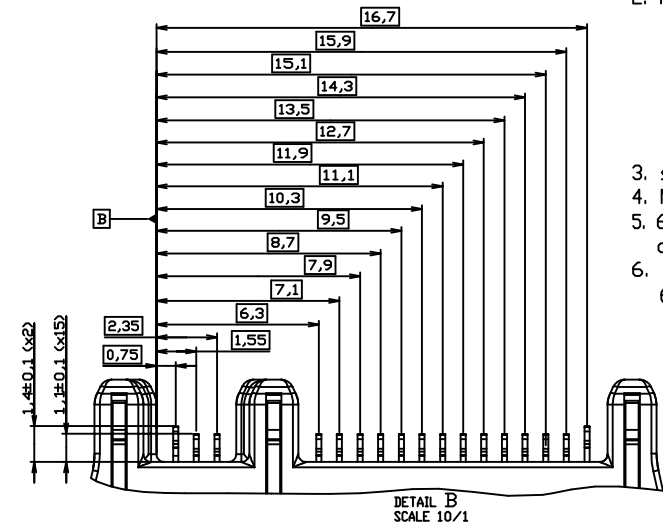
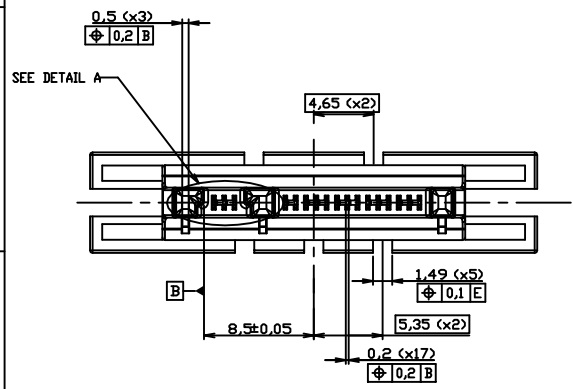
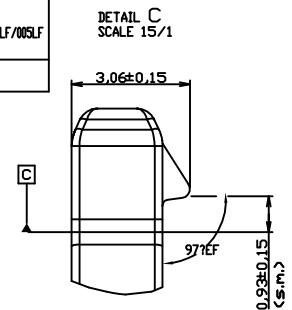
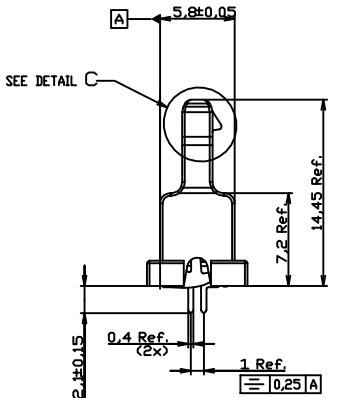
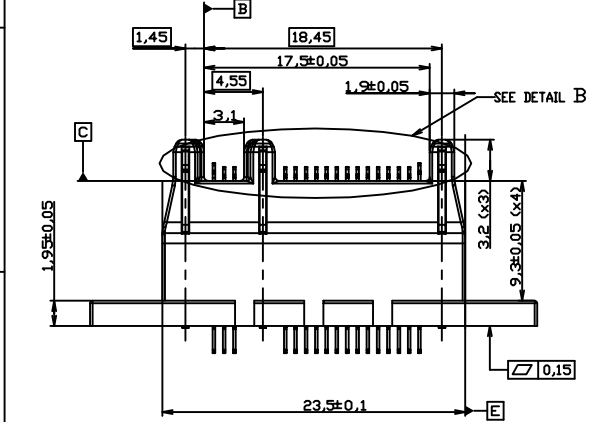
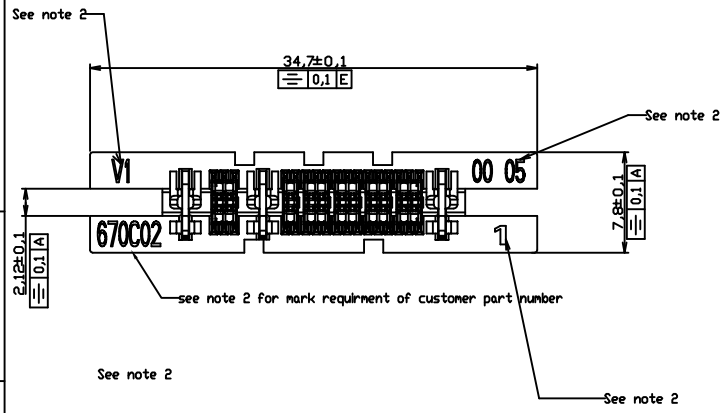
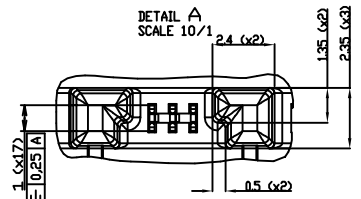
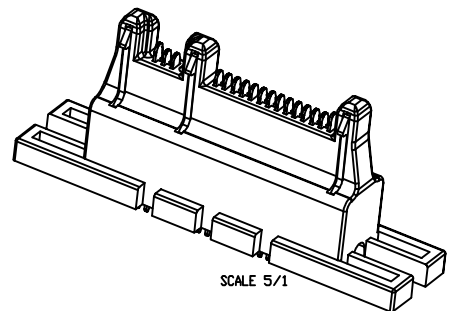
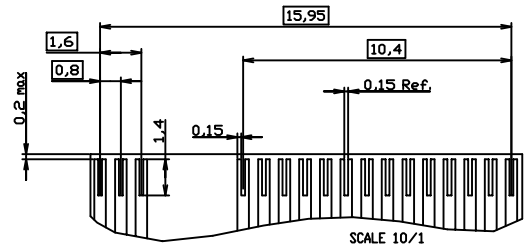


FCI P/N	Description	Customer P/N	remark
63657-003LF	Desktop Charger Assembly with wax added at the tip of the latches	2885670C04	Dupont PBT
63657-004LF	Desktop Charger Assembly with wax added at the tip of the latches	2889939S03	Dupont PBT
63657-005LF	Desktop Charger Assembly with wax added at the tip of the latches	2889939S04	GE Plastics PBT

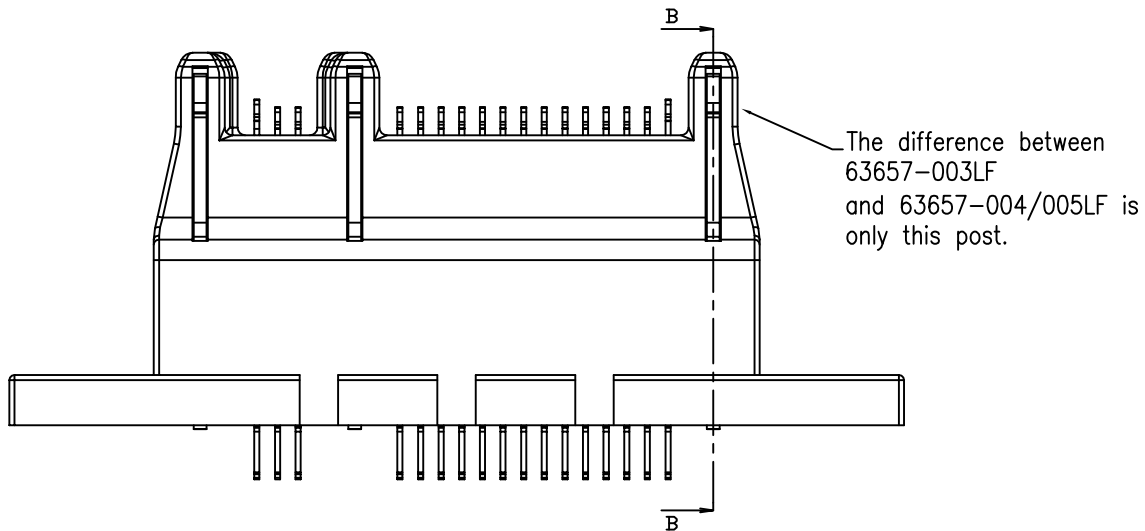
Item description	Material colour/plating
Housing	PBT colour black
Contacts material	Beryllium copper or Stal 94
Contacts plating	Under layer Nickel Contact area: PdNi with gold flash or PdNi with 30u" gold Solder-tail: Pure Sn for 63657-003LF/004LF/005LF
Latch material	Stainless steel



- Notes :
- Products to be packed in trays.
  - Markings recessed done by molding:  
Date code : year and month YY MM (e.g. 00 05 for May 2000)  
Customer P/N : 6 digits (e.g. 670C01)  
Customer P/N : 670C04 ( FOR FCI P/N:63657-003LF)  
Customer P/N : 939S03 ( ONLY FOR FCI P/N: 63657-004LF)  
Customer P/N : 939S04 ( ONLY FOR FCI P/N: 63657-005LF)  
Mold revision : (e.g. V1)  
Cavity number : (e.g. 1)
  - s.m. : Sharp Measurement
  - Melting point of HSG is 225°C
  - 63657-003LF/004LF/005LF meets European union directives and other other country regulations as described in GS-22-008
  - Lead free label on the carton of 63657-003LF & 63657-004LF&63657-005LF per GS-14-920

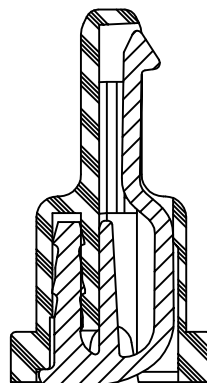
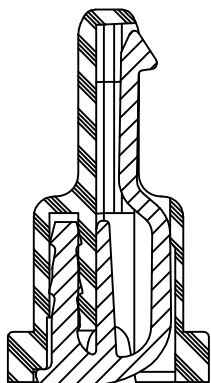
matl. code		tolerances unless otherwise specified		CUSTOMER COPY	FCI
ltr	ecr no	dr	date	projection	title
F	T04-0217	L	S 051904	X ±0.10 XX 20.05	DESKTOP CHARGER ASSEMBLY
G	T04-0259	P	M 082304		
H	T04-0262	P	M 090604	mm	product family Mobile I/O
J	T04-0266	P	M 122304		
K	T04-0261	P	M 072705	scale 10:1	code 213
L	T04-0317	P	M 090605		
M	T04-0452	C	L 110606	sheet 1 of 2	sheet 1 of 2
revision	M L	MONTENEAU 040101			
sheet	revision	M L			
index	sheet	1	2		

Structure difference between 63657-003LF and 63657-004LF/005LF



COUPE B-B  
(only for 63657-003LF)

COUPE B-B  
(only for 63657-004LF/005LF)



Tous droits réservés. Reproduction ou utilisation sans autorisation de FCJ Inc. est formellement interdite.  
 All rights reserved. Reproduction or use is strictly prohibited without the written permission of FCJ Inc.  
 © 2011 FCJ Inc.



matl. code		tolerances unless otherwise specified		CUSTOMER COPY		FCJ www.fcjconnect.com	
ltr	ecn no	dr	date	linear	.XX±0.05	projection	title
L				angles	0°±2°	mm	DESKTOP CHARGER ASSEMBLY
		dr	LALANDE 032700	scale	1:1	product family	Mobile I/O
		engr	CLAVIER 040101	sheet		size	213
		chr	P.BLANDEAU 040101	appd	M.FONTENEAU 040101	sheet no	2 of
sheet	revision					code	63657
Index	sheet					code	