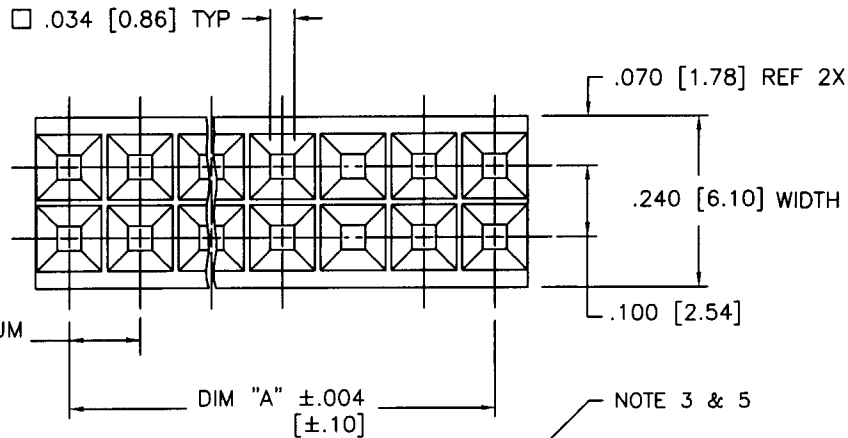


Tous droits strictement reserves. Reproduction ou communication a des tiers interdite sous quelque forme que ce soit sans autorisation ecrite du propriétaire. Propriete de © BERG ELECTRONICS. Droits de reproduction BERG ELECTRONICS INC.

All rights strictly reserved. Reproduction or issue to third parties in any form whatever is not permitted without written authority from the proprietor. Property of © BERG ELECTRONICS Copyright BERG ELECTRONICS INC.

PRODUCT NUMBER  
SEE TABLE



.100±.004 NON-ACCUM  
[2.54±.10] TYP.

DIM "A" ±.004  
[±.10]

NOTE 3 & 5

.325 ±.010 [8.27±0.25]  
HEIGHT

.029 [0.74] TYP  
REF.

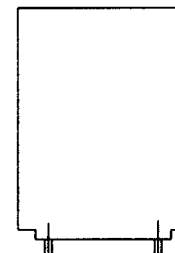
.005/.13 A  
TYP

DIM "B" MAX  
LENGTH

.013 [0.32] REF

.12 SOLDERTAIL  
[3.0] LENGTH

.100 [2.54] TYP



.010 [0.25] REF 2X  
.154 [3.91] AT HOUSING

mat'l. code NOTE 1 & 2				tolerances unless otherwise specified		CUSTOMER COPY	<b>BERG</b> ELECTRONICS		
ltr	ecn no	dr	date	linear	.XX ±.01/.3	projection	title		
D	REDRAWN	JM	1/2/91		.XXX ±.005/.13		VERTICAL CARD CONNECTOR		
E	ADD MARKING	SR	2/18/91	angles	.XXX ±.0020/.051		.154/3.91 CTR. DOUBLE ROW		
F	V23244	MRC	10/01/92		0° ±2°	INCH/MM	product family	code	
G	V71141	MDF	8/7/97	chr	J MUSTARD 1/2/91	scale 4:1	CARD CONN.	213	
H	C70056	RGD	10/13/97	appr	M. HAHN 1/2/91		size dwg no	66956	sheet
					M. HAHN 1/2/91		A	1 of 3	
sheet index	revision sheet	H	H	H					
		1	2	3					

Tous droits strictement reserves. Reproduction ou communication a des tiers interdite sous quelque forme que ce soit sans autorisation écrite du propriétaire. Propriété de ©BERG ELECTRONICS. Droits de reproduction BERG ELECTRONICS INC.



All rights strictly reserved. Reproduction or issue to third parties in any form whatever is not permitted without written authority from the proprietor. Property of ©BERG ELECTRONICS Copyright BERG ELECTRONICS INC.

PRODUCT NUMBER  
SEE TABLE

MARKING CODE	
66956-0XX	STANDARD MARKING PER NOTE 3
66956-8XX	SPECIAL MIL MARKING PER NOTE 5

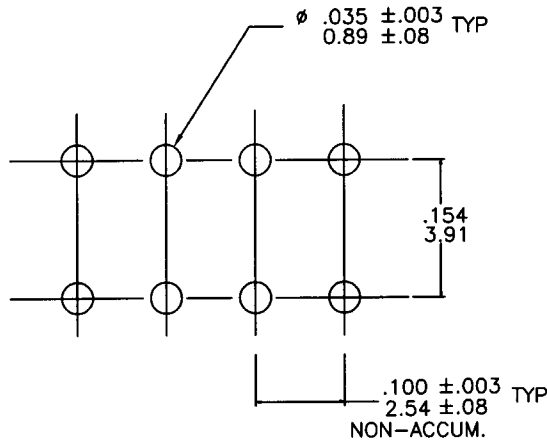


FIG. 1  
SCALE 5/1

NOTES:

- HOUSING MATERIAL: FILLED POLYESTER, FLAME RETARDANT PER UL 94V-0. COLOR: BLACK.
- TERMINAL MATERIAL:  
BODY: BRASS .010/.25 THICK.  
SPRING: BeCu. HEAT TREATED  
BODY PLATING: 30u"/.76u Au OVER 50u"/1.27 Ni IN CONTACT AREA.  
100u"/2.54u TIN-LEAD OVER 50u" /1.27 Ni ON SOLDER TAIL  
SPRING PLATING: GOLD FLASH
- PRODUCT DASH NUMBERS WITH FIRST DIGIT BEING "0" TO BE MARKED "BERG", BERG FINAL PART NUMBER AND DATE CODE WITH .060/1.52 HIGH LETTERS. PARTS 2 X 8 OR LESS HAVE THIS INFORMATION ON TUBE LABEL INSTEAD OF HOUSING. DASH NUMBER WITH "U" AS FOURTH DIGIT (XXXXX-XXXX) IS UNMARKED.
- APPLICATION INFORMATION.  
A. RECOMMENDED MOUNTING HOLE PATTERN IS SHOWN IN FIG. #1.  
B. ALL MATING PINS TO BE .025/.64 SQUARE ON TRUE CENTER OF GIVEN TERMINAL SPACINGS, WITHIN .015/.38 DIAMETER.  
C. SUGGESTED MATING PIN LENGTH, .210 ±.020/5.33 ±.51.
- PRODUCT DASH NUMBERS WITH FIRST DIGIT BEING "8" TO BE MARKED "BERG", CAGE 22526, DESC. WWWW (NO. TO BE ASSIGNED) AND DATE. PARTS 2 X 8 OR LESS HAVE THIS INFORMATION ON TUBE LABEL INSTEAD OF HOUSING.

mat'l. code				tolerances unless otherwise specified		CUSTOMER COPY		<b>BERG ELECTRONICS</b>						
ltr	ecn no	dr	date	linear	.XX ±.01/.3	projection		title						
H					.XXX ±.005.13			VERTICAL CARD CONNECTOR						
					.XXXX ±.0020/.051			.154/3.91 CTR. DOUBLE ROW						
				angles	0' ±2'	INCH/MM		product family CARD CONN.						
		dr	J. MUSTARD	1/2/91	scale			A	size	dwg no	code			
		enrg	M. HAHN	1/2/91							1:1	66956	213	sheet
		chr	M. HAHN	1/2/91										2 of
		appd	M. HAHN	1/2/91										
sheet index	revision sheet													

Tous droits strictement reserves. Reproduction ou communication a des tiers interdite sous quelque forme que ce soit sans autorisation écrite du propriétaire.  
 Propriete de ©BERG ELECTRONICS. Droits de reproduction BERG ELECTRONICS INC.



All rights strictly reserved. Reproduction or issue to third parties in any form whatever is not permitted without written authority from the proprietor.  
 Property of ©BERG ELECTRONICS Copyright BERG ELECTRONICS INC.

PRODUCT NO	NO. OF POS.	DIM A	DIM B	DESC PART NO. ON -8XX SERIES ONLY
66956-Y01		UNASSIGNED		
-Y02	2X2	.100/2.54	.200/5.08	WWWWW-02
-Y03	2X3	.200/5.08	.300/7.62	WWWWW-03
-Y04	2X4	.300/7.62	.400/10.16	WWWWW-04
-Y05	2X5	.400/10.16	.500/12.70	WWWWW-05
-Y06	2X6	.500/12.70	.600/15.24	WWWWW-06
-Y07	2X7	.600/15.24	.700/17.78	WWWWW-07
-Y08	2X8	.700/17.78	.800/20.32	WWWWW-08
-Y09	2X9	.800/20.32	.900/22.86	WWWWW-09
-Y10	2X10	.900/22.86	1.000/25.40	WWWWW-10
-Y11	2X11	1.000/25.40	1.100/27.94	WWWWW-11
-Y12	2X12	1.100/27.94	1.200/30.48	WWWWW-12
-Y13	2X13	1.200/30.48	1.300/33.02	WWWWW-13
-Y14	2X14	1.300/33.02	1.400/35.56	WWWWW-14
-Y15	2X15	1.400/35.56	1.500/38.10	WWWWW-15
-Y16	2X16	1.500/38.10	1.600/40.64	WWWWW-16
-Y17	2X17	1.600/40.64	1.700/43.18	WWWWW-17
-Y18	2X18	1.700/43.18	1.800/45.72	WWWWW-18
-Y19	2X19	1.800/45.72	1.900/48.26	WWWWW-19
-Y20	2X20	1.900/48.26	2.000/50.80	WWWWW-20
-Y21	2X21	2.000/50.80	2.100/53.34	WWWWW-21
-Y22	2X22	2.100/53.34	2.200/55.88	WWWWW-22
-Y23	2X23	2.200/55.88	2.300/58.42	WWWWW-23
-Y24	2X24	2.300/58.42	2.400/60.96	WWWWW-24
-Y25	2X25	2.400/60.96	2.500/63.50	WWWWW-25
-Y26	2X26	2.500/63.50	2.600/66.04	WWWWW-26
-Y27	2X27	2.600/66.04	2.700/68.58	WWWWW-27
-Y28	2X28	2.700/68.58	2.800/71.12	WWWWW-28
-Y29	2X29	2.800/71.12	2.900/73.66	WWWWW-29
-Y30	2X30	2.900/73.66	3.000/76.20	WWWWW-30
-Y31	2X31	3.000/76.20	3.100/78.74	WWWWW-31
-Y32	2X32	3.100/78.74	3.200/81.28	WWWWW-32
-Y33	2X33	3.200/81.28	3.300/83.82	WWWWW-33
-Y34	2X34	3.300/83.82	3.400/86.36	WWWWW-34
-Y35	2X35	3.400/86.36	3.500/88.90	WWWWW-35
66956-Y36	2X36	3.500/88.90	3.600/91.44	WWWWW-36

OBSOLETE

mat'l. code				tolerances unless otherwise specified		CUSTOMER COPY		<b>BERG ELECTRONICS</b>			
ltr	ecn no	dr	date	linear	.XX ±.01/3		projection	title			
H					.XXX ±.005.13				VERTICAL CARD CONNECTOR		
					.XXXX ±.0020/.051				.154/3.91 CTR. DOUBLE ROW		
				angles	0° ±2'		INCH/MM	product family CARD CONN.			
				dr	J. MUSTARD	1/2/91		scale	code		
				enr	M. HAHN	1/2/91			A	213	
				chr	M. HAHN	1/2/91				sheet	
				appd	M. HAHN	1/2/91	3 of				
sheet index	revision sheet						8:1		66956		