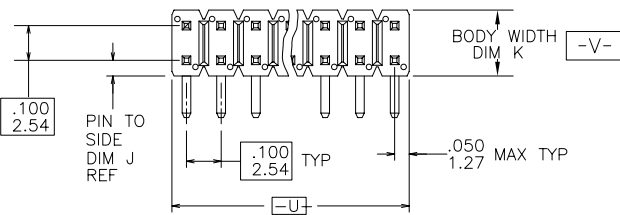


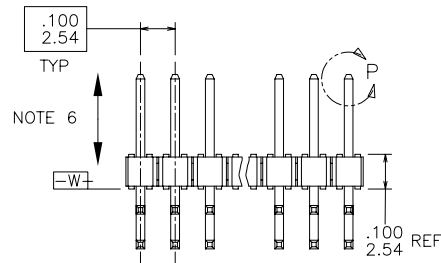
PRODUCT NUMBER

XXXXX-YYY HTLF

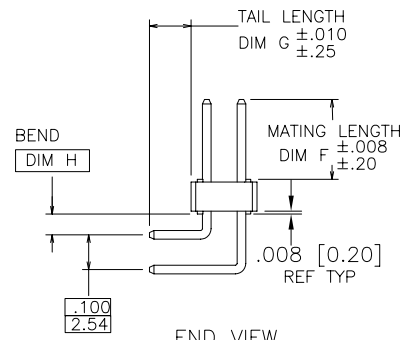
- LEAD FREE OPTION  
SEE NOTE 1,8
- TUBE PACKAGING OPTION  
SEE NOTE 1
- HIGH TEMPERATURE PLASTIC  
SEE NOTE 1
- NO OF POSITIONS  
SEE NOTE 1
- PIN PLATING  
SEE SHEET 2
- BASE PART NO.



TOP VIEW

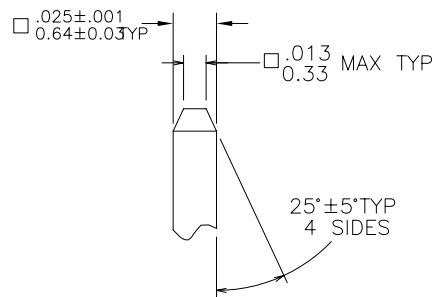


SIDE VIEW



END VIEW

⊕ ∅ .020/.51 (M) U (M) V W  
NOTE 4



DETAIL P  
TYP BOTH ENDS

mat'l. code NOTES 2 & 3		surface ISO 1302 ✓		tolerance ISO 406 ISO 1101		projection INCH/MM		product family BERGSTIK	
ltr		ecn		no dr		date		title	
AV	v80091	HTB	01/22/98	tolerances unless otherwise specified		.XX±.01/0.3		BERGSTIK® II HEADER	
AV	v91485	EPK	07/09/99	angles	linear	.xxx±.005/0.13		.100/2.54cc DR R/A	
AW	v20801	GIP	04/29/02	0'±2'		.xxx±.0020/0.051		scale 1:1	
AX	v21800	TAB	12/20/02	dr	D.WIHTING	03/08/93		dwg no	
AY	M04-0234	MHT	12/29/04	engr	T.HANNA	03/08/93		sheet 1 of 5 size	
BA	M05-0072	MHT	5/03/05	chr	T.BREWNAKER	03/08/93		68020 A3	
BB	M06-0268	MHT	7/17/06	appd	T.HANNA	03/08/93		type Product Customer Drawing	
sheet	revision	BB	BB	BB	BB	BB	BB		
index	sheet	1	2	3	4	5			

PIN PLATING CODES:	
XXXX-1YY	30u"/0.76u MIN (SEE NOTE 9) OVER 50u"/1.27u MIN Ni
XXXX-2YY	15u"/0.38u MIN (SEE NOTE 9) OVER 50u"/1.27u MIN Ni
XXXX-3YY	50u"/1.27u MIN Au OVER 50u"/1.27u MIN Ni
XXXX-4YY	TIN LEAD OPTION 120u"/3.05u MIN 93/7 SnPb OVER 50u"/1.27u MIN Ni
	LF OPTION 100u"/2.54u MIN Sn OVER 50u"/1.27u MIN Ni (SEE NOTE 1,10)
XXXX-5YY	15u"/0.38u MIN (SEE NOTE 9) OVER 50u"/1.27u MIN Ni
XXXX-6YY	30u"/0.76u MIN (SEE NOTE 9) OVER 50u"/1.27u MIN Ni
XXXX-7YY	30u"/0.76u MIN Au OVER 50u"/1.27u MIN Ni
XXXX-8YY	15u"/0.38u MIN Au OVER 50u"/1.27u MIN Ni
XXXX-9YY	15u"/0.38u MIN GXT OVER 50u"/1.27u MIN Ni
XXXX-0YY	30u"/0.76u MIN GXT OVER 50u"/1.27u MIN Ni

NOTES

1. PART NUMBER OPTIONS:

PIN PLATING CODES (SEE ABOVE)

HIGH TEMP. MATERIAL:

FOR HIGH-TEMPERATURE APPLICATIONS, SPECIFY AN "H" AT THE END OF THE PART NUMBER, AND PCT WILL BE SUPPLIED.

NUMBER OF POSITION:

EVEN NUMBER OF POSITIONS FROM 2 (2X1) THRU 72 (2X36).

PACKAGING:

PACKAGED IN POLY BAGS.

EIGHT DIGIT PART NUMBERS FOLLOWED BY A "T" ARE PACKAGED IN TUBES. SEE SPECIFIC PART NUMBERS FOR AVAILABILITY.

LEAD FREE:

ADD "HLF" SUFFIX AT THE END OF PART NUMBER FOR LEAD FREE OPTION, NOT AVAILABLE FOR -5YY, -5YYH, -6YY & -6YYH.

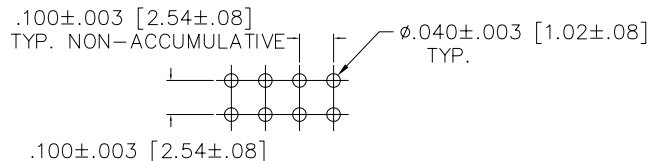
2. BODY MATERIAL:

MANUFACTURER'S OPTION OF NYLON OR PCT, GLASS FIBER REINFORCED, FLAME RETARDENT PER UL-94V-0. COLOR: BLACK.

PART NUMBERS WITH "H" SUFFIX WILL WITHSTAND EXPOSURE TO 260°C PEAK TEMPERATURE FOR 20 SECONDS IN WAVE SOLDER, INFRA-RED OR VAPOR PHASE SOLDER PROCESS.

PART NUMBERS WITHOUT "H" SUFFIX WILL WITHSTAND EXPOSURE TO 260°C PEAK TEMPERATURE FOR WAVE SOLDER PROCESS.

- 3. PIN MATERIAL: PHOS-BRONZE.
- 4. MEASURED WITH PART IN RESTRAINED CONDITION.
- 5. TWO SIDES OF PIN TIPS NOT PLATED. TYPICAL BOTH ENDS.
- 6. 2LBS/0.9KG MIN PIN RETENTION IN EITHER DIRECTION.
- 7. MILITARY BERGSTIK HEADER  
P/N XXXXX-YYY-MIL  
NOT AVAILABLE.
- 8. THESE PRODUCTS MEETS EUROPEAN UNION DIRECTIVES AND OTHER COUNTRY REGULATION AS DESCRIBED IN GS-22-008.
- 9. PLATING OPTIONS:  
MAY BE EITHER GOLD OR GXT PLATED AT MANUFACTURER'S OPTION.
- 10. THIS PRODUCT HAS 100% TIN PLATING IN THE INTERFACE AND HAS NOT BEEN TESTED FOR WHISKER GROWTH IN ALL INTERCONNECT ENVIRONMENTS."



RECOMMENDED HOLE PATTERN

mat'l. code		surface		tolerance		projection		product family	
NOTES 2 & 3		ISO 1302 ✓		ISO 406		INCH/MM		BERGSTIK	
ltr		ecn		no		date		title	
BB								BERGSTIK® II HEADER	
								.100/2.54cc DR R/A	
						scale 1:1		dwg no	
								sheet 2 of 5	
								68020	
								A3	
								type	
								Product Customer Drawing	
sheet index		revision sheet							

PRODUCT NUMBER	MATING LENGTH		TAIL LENGTH		BEND DIM.		PIN TO SIDE		BODY WIDTH		PACKAGING	LF OPTION
	DIM F	DIM F	DIM G	DIM G	DIM H	DIM H	DIM J	DIM J	DIM K	DIM K		
	ENGLISH	METRIC	ENGLISH	METRIC	ENGLISH	METRIC	ENGLISH	METRIC	ENGLISH	METRIC		
68020-YYY	0.230	5.84	0.095	2.41	0.060	1.52	0.045	1.14	0.190	4.83	POLY BAGS	NOTE 1,8
68021-YYY	0.230	5.84	0.120	3.05	0.060	1.52	0.045	1.14	0.190	4.83	POLY BAGS	
68022-YYY	0.318	8.08	0.110	2.79	0.060	1.52	0.070	1.78	0.240	6.10	POLY BAGS	
68025-YYY	0.230	5.84	0.195	4.95	0.060	1.52	0.045	1.14	0.190	4.83	POLY BAGS	
68405-YYY	0.230	5.84	0.095	2.41	0.060	1.52	0.070	1.78	0.240	6.10	POLY BAGS	
68452-YYY	0.380	9.65	0.110	2.79	0.060	1.52	0.070	1.78	0.240	6.10	POLY BAGS	
68459-YYY	0.318	8.08	0.150	3.81	0.060	1.52	0.070	1.78	0.240	6.10	POLY BAGS/TUBES	
68462-YYY	0.400	10.16	0.120	3.05	0.060	1.52	0.045	1.14	0.190	4.83	POLY BAGS	
68463-YYY	0.230	5.84	0.110	2.79	0.060	1.52	0.070	1.78	0.240	6.10	POLY BAGS	
68480-YYY	0.318	8.08	0.110	2.79	0.060	1.52	0.045	1.14	0.190	4.83	POLY BAGS	
68492-YYY	0.230	5.84	0.150	3.81	0.060	1.52	0.070	1.78	0.240	6.10	POLY BAGS	
68493-YYY												
68695-YYY	0.230	5.84	0.090	2.29	0.060	1.52	0.045	1.14	0.190	4.83	POLY BAGS	
68696-YYY	0.318	8.08	0.125	3.18	0.060	1.52	0.045	1.14	0.190	4.83	POLY BAGS	
68697-YYY	0.230	5.84	0.125	3.18	0.060	1.52	0.045	1.14	0.190	4.83	POLY BAGS	
68715-YYY	0.138	3.51	0.138	3.51	0.060	1.52	0.045	1.14	0.190	4.83	POLY BAGS	
68728-YYY												
68740-YYY	0.345	8.76	0.110	2.79	0.060	1.52	0.070	1.78	0.240	6.10	POLY BAGS	
68759-YYY	0.275	6.99	0.120	3.05	0.060	1.52	0.045	1.14	0.190	4.83	POLY BAGS	
68780-YYY	0.230	5.84	0.039	0.99	0.060	1.52	0.045	1.14	0.190	4.83	POLY BAGS	
69147-YYY	0.540	13.72	0.260	6.60	0.060	1.52	0.045	1.14	0.190	4.83	POLY BAGS	
69186-YYY												
72240-YYYH	0.550	13.97	0.120	3.05	0.060	1.52	0.070	1.78	0.240	6.10	POLY BAGS	
72261-YYYH	0.100	2.54	0.100	2.54	0.060	1.52	0.045	1.14	0.190	4.83	POLY BAGS	
72324-YYYH	0.550	13.97	0.260	6.60	0.060	1.52	0.070	1.78	0.240	6.10	POLY BAGS	
72410-YYYH	0.120	3.05	0.350	8.89	0.120	3.05	0.070	1.78	0.240	6.10	POLY BAGS	
74430-YYYH	0.000	0.00	0.233	5.92	0.060	1.52	0.045	1.14	0.190	4.83	POLY BAGS	



FCIconnect.com

Copyright FCI

mat'l. code NOTES 2 & 3		surface ISO 1302 ✓		tolerance ISO 406 ISO 1101		projection ⊕		product family BERGSTIK	
ltr ecn no dr date		tolerances unless otherwise specified		angles linear		INCH/MM		title BERGSTIK® II HEADER .100/2.54cc DR R/A	
BB		.XX±.01/0.3		0°±2'		scale 1:1		dwg no sheet 3 of 5 size 68020 A3	
		.xxx±.005/0.13				FCI		type Product Customer Drawing	
		.xxxx±.0020/0.051							
		dr D.WIHTING 03/08/93							
		enr T.HANNA 03/08/93							
		chr T.BREWNAKER 03/08/93							
		appd T.HANNA 03/08/93							
sheet index		revision sheet							

form: A3 1 2 3 4 5 6

PRODUCT NUMBER	MATING LENGTH		TAIL LENGTH		BEND DIM.		PIN TO SIDE		BODY WIDTH		PACKAGING	LF OPTION	
	DIM F	DIM F	DIM G	DIM G	DIM H	DIM H	DIM J	DIM J	DIM K	DIM K			
	ENGLISH	METRIC	ENGLISH	METRIC	ENGLISH	METRIC	ENGLISH	METRIC	ENGLISH	METRIC			
78576-YYY	0.120	3.05	0.120	3.05	0.060	1.52	0.070	1.78	0.240	6.10	POLY BAGS	NOTE 1,8	
78923-YYY	0.240	6.10	0.095	2.41	0.060	1.52	0.070	1.78	0.240	6.10	POLY BAGS		
78951-YYY	0.500	12.70	0.120	3.05	0.060	1.52	0.045	1.14	0.190	4.83	POLY BAGS		
79200-YYY	0.155	3.94	0.280	7.11	0.060	1.52	0.070	1.78	0.240	6.10	POLY BAGS		
79201-YYY	0.225	5.72	0.280	7.11	0.060	1.52	0.070	1.78	0.240	6.10	POLY BAGS		
79202-YYY	0.245	6.22	0.280	7.11	0.060	1.52	0.070	1.78	0.240	6.10	POLY BAGS		
79203-YYY	0.315	8.00	0.280	7.11	0.060	1.52	0.070	1.78	0.240	6.10	POLY BAGS		
79204-YYY	0.170	4.32	0.410	10.41	0.060	1.52	0.070	1.78	0.240	6.10	POLY BAGS		
79205-YYY	0.243	6.17	0.410	10.41	0.060	1.52	0.070	1.78	0.240	6.10	POLY BAGS		
79206-YYY	0.315	8.00	0.410	10.41	0.060	1.52	0.070	1.78	0.240	6.10	POLY BAGS		
79248-YYY													
79257-YYY	0.230	5.84	0.120	3.05	0.060	1.52	0.070	1.78	0.240	6.10	POLY BAGS/TUBES		
79258-YYY	0.318	8.08	0.120	3.05	0.060	1.52	0.070	1.78	0.240	6.10	POLY BAGS/TUBES		
79807-YYY													
79841-YYY	0.060	1.52	0.230	5.84	0.060	1.52	0.045	1.14	0.190	4.83	POLY BAGS		
86385-YYY	0.260	6.6	0.120	3.05	0.060	1.52	0.070	1.78	0.240	6.10	POLY BAGS		
86840-YYY	0.318	8.08	0.230	5.84	0.060	1.52	0.070	1.78	0.240	6.10	POLY BAGS		
86867-YYY													
88822-YYY	0.318	8.08	0.080	2.03	0.060	1.52	0.070	1.78	0.240	6.10	POLY BAGS		
89292-YYY	0.120	3.05	0.300	7.62	0.120	3.05	0.045	1.14	0.190	4.83	POLY BAGS		
90234-YYY	0.130	3.30	0.195	4.95	0.060	1.52	0.045	1.14	0.190	4.83	POLY BAGS		
92634-YYY	0.318	8.08	0.318	8.08	0.060	1.52	0.045	1.14	0.190	4.83	POLY BAGS		
93162-YYY	0.230	5.84	0.400	10.16	0.150	3.81	0.045	1.14	0.190	4.83	POLY BAGS		
93932-YYY	0.200	5.08	0.120	3.05	0.060	1.52	0.070	1.78	0.240	6.10	POLY BAGS		
93939-YYY	0.160	4.06	0.120	3.05	0.060	1.52	0.070	1.78	0.240	6.10	POLY BAGS		
94687-YYYH	0.430	10.92	0.230	5.84	0.060	1.52	0.045	1.14	0.190	4.83	POLY BAGS		
94688-YYYH	0.385	9.78	0.280	7.11	0.060	1.52	0.070	1.78	0.240	6.10	POLY BAGS		



Copyright FCI

mat'l. code NOTES 2 & 3		surface ISO 1302 <input checked="" type="checkbox"/>		tolerance ISO 406 ISO 1101		projection 		product family BERGSTIK	
ltr		ecn no		dr		date		tolerances unless otherwise specified	
BB								.XX±.01/0.3	
								.XXX±.005/0.13	
								.XXXX±.0020/0.051	
								INCH/MM	
								scale 1:1	
				dr		D.WIHTING 03/08/93		dwg no	
				enr		T.HANNA 03/08/93		sheet 4 of 5 size	
				chr		T.BREWNAKER 03/08/93		68020 A3	
				appd		T.HANNA 03/08/93		type Product Customer Drawing	
sheet index		revision sheet							

PRODUCT NUMBER	MATING LENGTH		TAIL LENGTH		BEND DIM.		PIN TO SIDE		BODY WIDTH		PACKAGING	LF OPTION
	DIM F	DIM F	DIM G	DIM G	DIM H	DIM H	DIM J	DIM J	DIM K	DIM K		
	ENGLISH	METRIC	ENGLISH	METRIC	ENGLISH	METRIC	ENGLISH	METRIC	ENGLISH	METRIC		
95035-YYYH	0.230	5.84	0.400	10.16	0.060	1.52	0.045	1.14	0.190	4.83	POLY BAGS	NOTE 1,8
95182-YYYH	0.400	10.16	0.110	2.79	0.060	1.52	0.070	1.78	0.240	6.10	POLY BAGS	↓
98358-YYYH	0.205	5.21	0.410	10.41	0.060	1.52	0.070	1.78	0.240	6.10	POLY BAGS	NOTE 1,8
98359-YYYH	0.275	6.99	0.410	10.41	0.060	1.52	0.070	1.78	0.240	6.10	POLY BAGS	NOTE 1,8



Copyright FCI

mat'l. code		surface		tolerance		projection		product family	
NOTES 2 & 3		ISO 1302 ✓		ISO 406 ISO 1101				BERGSTIK	
ltr	ecn	no	dr	date		tolerances unless otherwise specified		title	
BB						.XX±.01/0.3 .xxx±.005/0.13 .xxxx±.0020/0.051		INCH/MM scale 1:1	
						angles linear 0'±2'		BERGSTIK® II HEADER .100/2.54cc DR R/A	
				dr		D.WIHTING 03/08/93		dwg no	
				enr		T.HANNA 03/08/93		sheet 5 of 5 size	
				chr		T.BREWNAKER 03/08/93		68020 A3	
				appd		T.HANNA 03/08/93		type Product Customer Drawing	
sheet	revision								
index	sheet								

form: A3 1 2 3 4 5 6