

PRODUCT NO.	MATERIAL
68106-XXXLF	PLAIN NORYL, COLOR: BLACK UL94V-1
68106-XXXHLF	Zytel: FR-50, BLACK UL94V-0

P/N	No.of POS	A	B	C	D
68106-003LF,-003HLF	8	5.08/.200	10.27/.404	12.27/.483	13.84/.545
68106-002LF,-002HLF	6	2.54/.100	7.73/.304	9.73/.383	11.30/.445
68106-001LF,-001HLF	4	0/.0	5.19/.204	7.19/.287	8.76/.345

NOTE

1. PUT DD MARK IN THIS PLACE WITH 0.02/.008 HEIGHT
2. PUT CAV NO. 1.2.3.4. IN THIS PLACE WITH 0.02/.008 HEIGHT
3. THIS PRODUCT MEETS EUROPEAN UNION DIRECTIVES AND OTHER COUNTRY REGULATIONS AS DESCRIBED IN GS-22-008.
4. THIS PRODUCT IS NOT INTENDED TO BE EXPOSED TO A MANUFACTURING SOLDER PROCESS.

注記

1. この位置にDDマークを彫刻。浮き出し高さ0.02MAX.
2. この位置にCAV No. 1.2.3.4を彫刻。浮き出し高さ0.02 MAX.
3. 本製品は、GS-22-008に記載されたヨーロッパ連合指令と他国の規制に適合しています。
4. 本製品は、はんだ付け工程には使用できません。

FCI CONFIDENTIAL

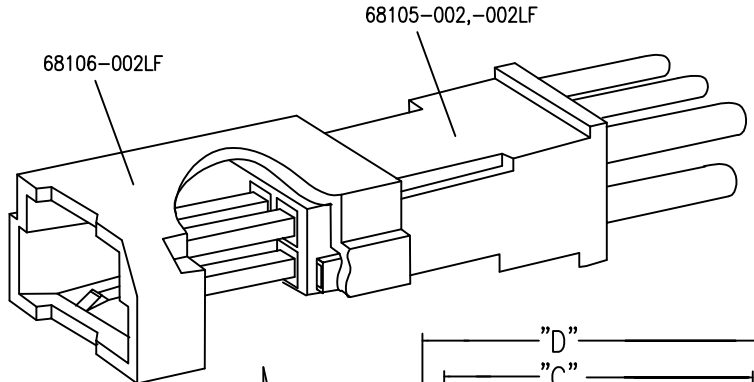
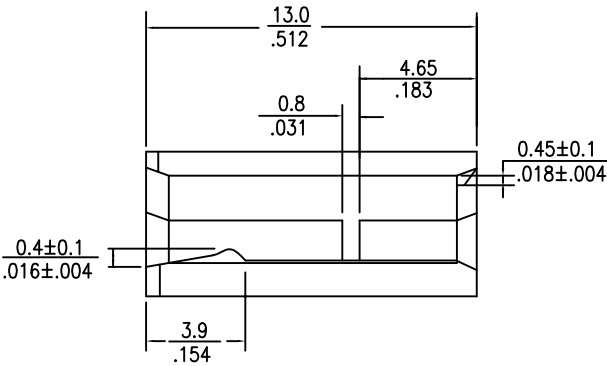
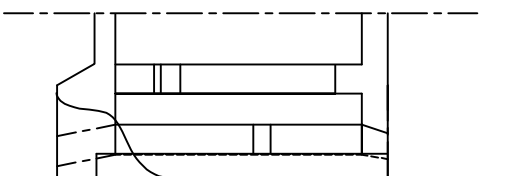
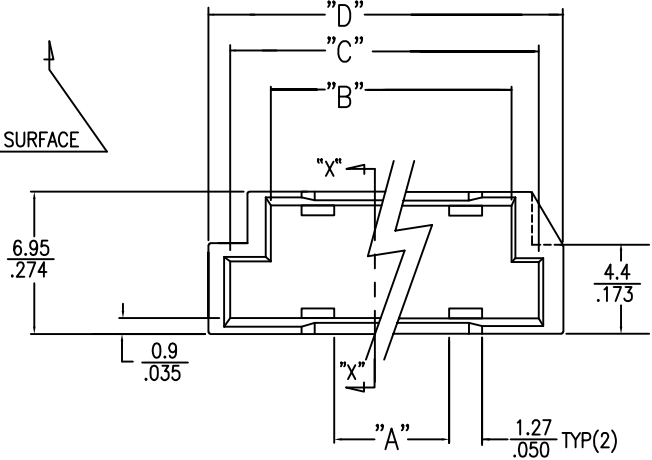


FIG.1
PUT CAV.NO.1.2.3.4 IN THIS SURFACE



SECT "X"- "X"



This document is the property of and contains CONFIDENTIAL and PROPRIETARY information of FCI. No part of this information may be used in any way or disclosed to others without the written consent of FCI. Copyright © FCI.

mat'l. code		surface		tolerance		projection		product family		CODE	
---		ISO 1302		ISO 406		mm/INCH		5NGF - PV HOUSINGS		JP	
ltr description		ecn no		date		mm/INCH		Title		sheet 1 of 1 size	
A RELEASED		NY		11/10/83		0.X ±0.25		POLARIZED M/L HSG SHROUD		A3	
B REVISED		J8110		NY 12/5/84		linear 0.XX ±0.25		DOUBLE ROW		68106	
C REVISED		J8461		NY 8/5/87		0.XXX ±0.25		scale		Rev. G	
D ADD NEW P/N		J03-0441		YK 10/29/03		dr D.DETOUILLOIN 27/06/18		FCI		Type PRODUCT CUSTOMER Drawing	
E REVISED		J05-0578		R.S 9/7/05		enrg L.MULIN 27/06/18					
F REVISED		J06-0370		R.S 10/2/06		chr L.MULIN 27/06/18					
G REVISED		F-30562		DDE 27/6/18		appd A.SOUDY 27/06/18					
sheet revision		G									
index sheet		1									