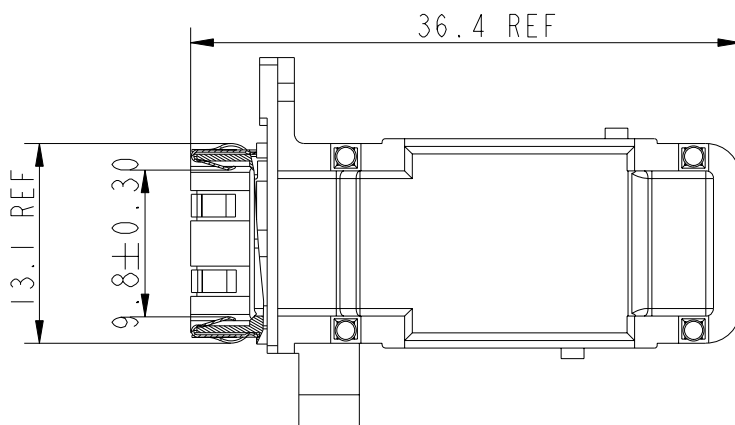
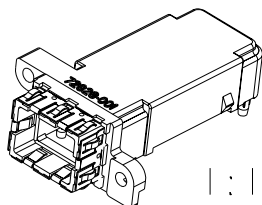
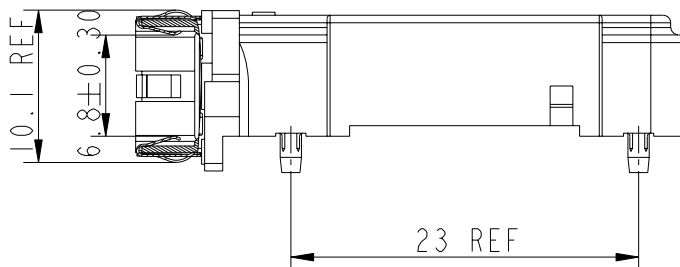
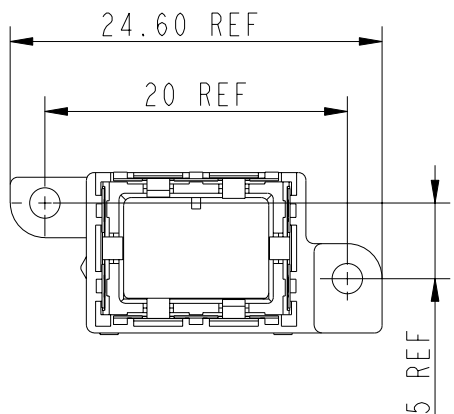


Part Number	Comments
72821-001LF	RoHS compatible



NOTES:

1. COVER MATERIAL: M5860(SS7030)
2. SPRING MATERIAL: CuSn5F63
3. PRODUCT SPECIFICATION: See GS-02-307
4. PACKAGE SPECIFICATION: GS-14-639.
5. RoHS INFORMATIONS:
 - THIS "LF" PRODUCT MEETS EUROPEAN UNION DIRECTIVES AND OTHER COUNTRY REGULATIONS AS DESCRIBED IN GS-22-008.
 - THIS PRODUCT IS NOT INTENDED TO BE EXPOSED TO A MANUFACTURING SOLDER PROCESS. PACKAGING SPEC GS-14-920.

rev	ecn no	dr	date
D	B20112	E.S.	2002-06-30
E	LS05-0086	JTA	2005-09-23
F	LS06-0084	LGO	2006-07-01
G	LS06-0143	LGO	2006-09-25
H	LS08-0064	JTA	2008-03-05
J	N09-0399	SH	2009-12-28
K	N11-0071	A.ZH	2011-03-18

CONVERSION ACCORDING GS-STANDARDS

www.fciconnect.com		surface ISO 1302	<input checked="" type="checkbox"/>	tolerance std ISO 406 ISO 1101	projection 	MM ↔
TOLERANCES UNLESS OTHERWISE SPECIFIED				size A4		Scale 2:1
Dr	Stroeykens	2002/06/30	ANGULAR	0.X	±0.3	ECN N11-0071
Eng	G.Nys	2002/06/30	LINEAR	0.XX	±0.1	
Chr	W.Panis	2002/06/30	0° ±2°	0.XXX	±0.05	
Appr	W.Panis	2002/06/30	Product family		SOFIX	Spec ref RELEASED
	title COVER WITH FRONTSPRINGS			dwg no 72821		Rev. K
catalog no			See table		CUSTOMER COPY	sheet 1 of 1

REV F - 2006-04-17



Copyright FCI.