

PRODUCT NUMBER

75869-YXXLF

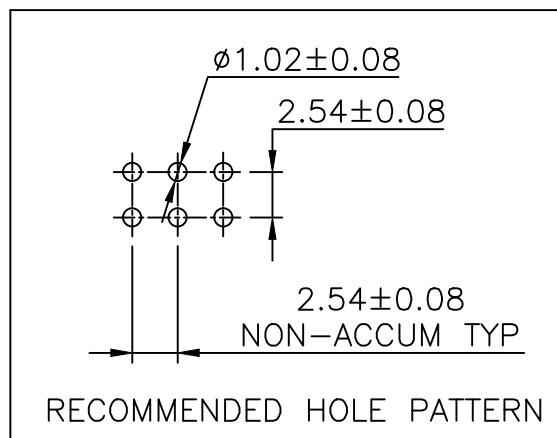
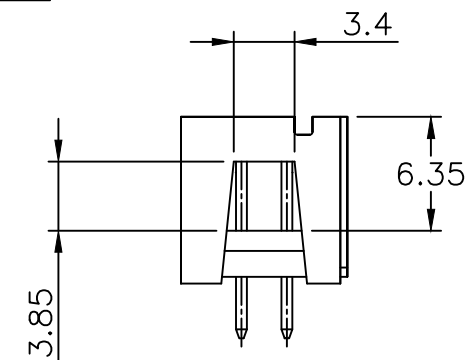
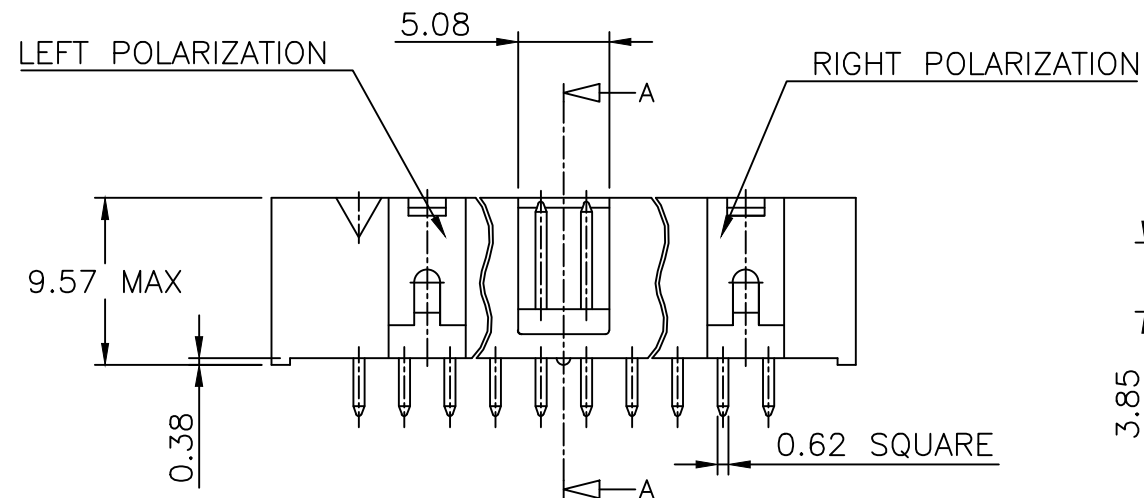
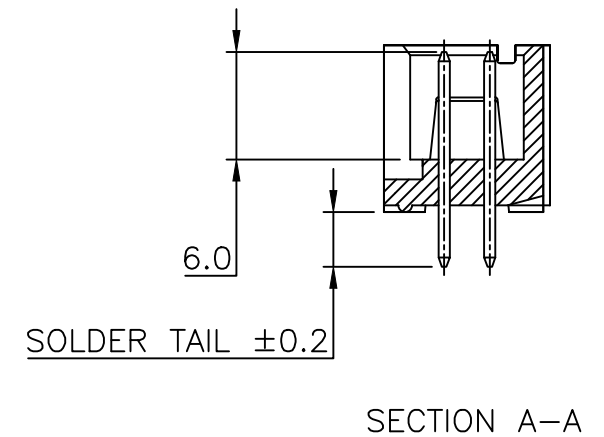
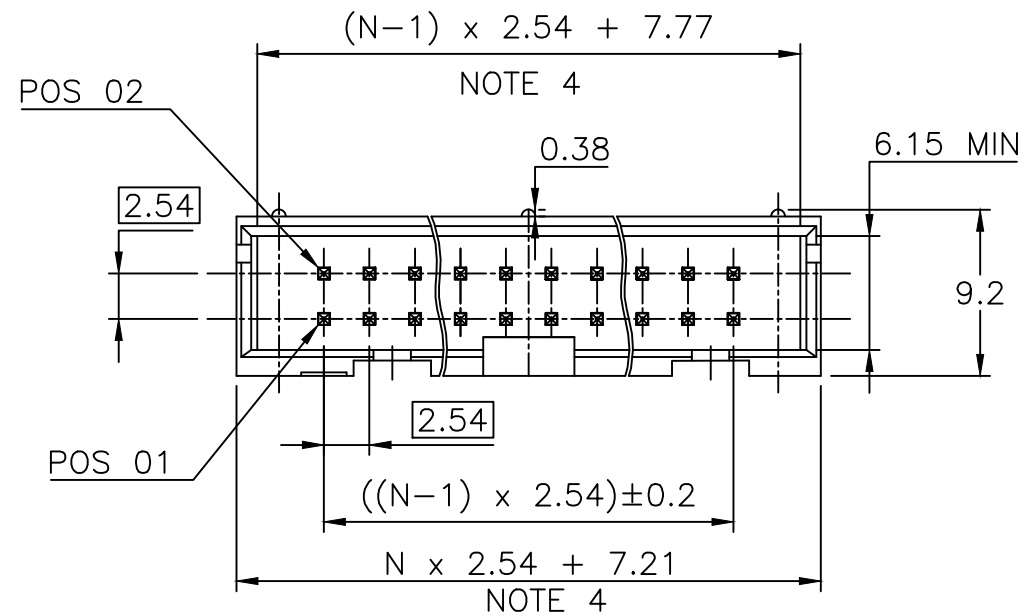
WHEN REQUIRED, ADD SUFFIX LETTER "LF"
INDICATES THE PRODUCT IS RoHS
COMPATIBLE, SEE NOTE 5

PIN STYLE, SEE SHEET 2 & 3.

PLATING SEE SHEET 2 & 3.

NOTES:

- 1 - HOUSING MAT'L : GLASS FILLED THERMOPLASTIC. UL94V-0 COLOR: BLUE PART MEETS WITH GWT (725°C;960°C)
- 2 - PIN MATERIAL : PHOSPHOR BRONZE
- 3 - PACKAGING :
POLYBAGS FROM 2X02 TO 2X04 POSITIONS
TUBE FROM 2X05 TO 2X32 POSITIONS
- 4 - TO DETERMINE DIMENSIONS :
N = NUMBER OF POSITIONS PER ROW
EXAMPLE : 8 POS N x 2.54 = 20.32mm
- 5 - RoHS COMPATIBLE PRODUCT SPECIFICATIONS
 - a - PLATING:
- "LF" MEANS THE PRODUCT IS LEAD-FREE, 2µm MINIMUM MATTE TIN OVER 1.27µm MINIMUM NICKEL UNDERPLATE.
 - b - MANUFACTURING PROCESS COMPATIBILITY
- THE HOUSING WILL WITHSTAND EXPOSURE TO 260°C ±5°C SOLDER BATH TEMPERATURE FOR 5 SECONDS IN A WAVE SOLDER APPLICATION WITH A 1.6mm MIN THICK CIRCUIT BOARD.
 - c - LABELLING:
- MEETS PACKAGING SPECS AS PER GS-14-920
 - d - LEGAL STATEMENT: SEE GS-22-008



mat'l. code SEE NOTES				surface ISO 1302 ✓	tolerance ISO 406 ISO 1101	projection mm	product family QUICKIE
ltr	ecn no	dr	date	tolerances unless otherwise specified	angles linear	mm	title SHR.LP.HEADER STR DR TMT
BK	F12-0086	JCO	12.07.17		.X ±0.3		
BL	F12-0805	LMU	12.10.25		.XX ±0.13		
BM	B-18120	LMU	14.07.10		.XXX ±0.05	scale 2.5:1	
BN	B-19070	LMU	14.10.15	dr	D.LE		dwg no 75869
				enrg	JM.C		sheet 1 of 3 A3
BH	F10-0217	LMU	10.09.16	chr	JF.N		size
BJ	F10-0258	LMU	10.12.15	appd	JM.C		type CUSTOMER Drawing
sheet index	revision sheet	BN	BD	H			
		1	2	3			

1

2 3

4

5

6

CORE RANGE

PIN STYLE	NUMBER OF POSITIONS	SOLDER TAIL REF	LEFT POLARIZATION	RIGHT POLARIZATION
30	2 x 2	3.05	NO	NO
31	2 x 3	3.05	NO	NO
32	2 x 4	3.05	NO	NO
01	2 x 5	3.05	NO	YES
02	2 x 7	3.05	NO	YES
03	2 x 8	3.05	YES	YES
04	2 x 10	3.05	YES	YES
05	2 x 13	3.05	YES	YES
33	2 x 15	3.05	YES	YES
06	2 x 17	3.05	YES	YES
07	2 x 20	3.05	YES	YES
08	2 x 25	3.05	YES	YES
09	2 x 30	3.05	YES	YES
10	2 x 32	3.05	YES	YES

PLATING :

- 1 = 0.76µm GOLD/GXT
(PdNi WITH GOLD FLASH) ON CONTACT AREA
3.81µm TIN-LEAD ON TAIL
UNDERPLATE : 1.27µm Ni MIN
- WHEN SUFFIX LETTER "LF" IS REQUIRED,
2µm MIN MATTE TIN OVER 1.27µm MIN
NICKEL IS PROVIDED INSTEAD OF TIN-LEAD

CATALOGUE RANGE

PIN STYLE	NUMBER OF POSITIONS	SOLDER TAIL REF	LEFT POLARIZATION	RIGHT POLARIZATION
30	2 x 2	3.05	NO	NO
31	2 x 3	3.05	NO	NO
32	2 x 4	3.05	NO	NO
01	2 x 5	3.05	NO	YES
02	2 x 7	3.05	NO	YES
03	2 x 8	3.05	YES	YES
04	2 x 10	3.05	YES	YES
05	2 x 13	3.05	YES	YES
33	2 x 15	3.05	YES	YES
06	2 x 17	3.05	YES	YES
07	2 x 20	3.05	YES	YES
08	2 x 25	3.05	YES	YES
09	2 x 30	3.05	YES	YES
10	2 x 32	3.05	YES	YES

PLATING :

- 2 = 3.81µm TIN LEAD FULL PLATED
- 3 = 0.38µm GOLD/GXT
(PdNi WITH GOLD FLASH) ON CONTACT AREA
3.81µm TIN-LEAD ON TAIL
UNDERPLATE : 1.27µm Ni MIN
- WHEN SUFFIX LETTER "LF" IS REQUIRED,
2µm MIN MATTE TIN OVER 1.27µm MIN
NICKEL IS PROVIDED INSTEAD OF TIN-LEAD

A

A

B

B

C

C

D

D



FCIconnect.com

Copyright FCI

1

2

3

4

5

6

mat'l. code		surface		tolerance		projection		product family	
		ISO 1302 <input checked="" type="checkbox"/>		ISO 406 ISO 1101				QUICKIE	
ltr		ecn no		dr		date		title	
BC		F08-0137		LMU		08.03.10		SHR.LP.HEADER	
BD		F08-0146		YOV		08.04.11		STR DR TMT	
		angles		linear		mm		scale N/A	
AX		F20138		LMU		02.02.07		dr	
AY		F04-0389		JCO		04.12.22		engr	
BA		F06-0229		LMU		06.07.18		chr	
BB		F07-0198		LMU		07.05.30		appd	
sheet		revision							
index		sheet							
								dwg no	
								75869	
								sheet 2 of - size	
								A3	
								type	
								CUSTOMER Drawing	

APPLICATION SPECIFIC

PIN STYLE	NUMBER OF POSITIONS	SOLDER TAIL REF	PIN MISSING	LEFT POLARIZATION	RIGHT POLARIZATION
44	2x03	3.05	PIN 2	NO	NO
40	2x03	3.05	PIN 6	NO	NO
51	2x03	7.60		NO	NO
41	2x04	3.05	PIN 1	NO	NO
55	2x04	3.05	PIN 8	NO	NO
64	2x04	4.10		NO	NO
59	2x05	3.05	PIN 1,2,9,10	NO	YES
60	2x05	3.05	PIN 9	NO	YES
37	2x07	3.05	PIN 1	NO	YES
13	2x07	3.05	PIN 3	NO	YES
14	2x07	3.05	PIN 5	NO	YES
46	2x07	3.05	PIN 6	NO	YES
12	2x07	3.05	PIN 7	NO	YES
57	2x07	3.05	PIN 12	NO	YES
11	2x07	3.05	PIN 13	NO	YES
56	2x07	3.05	PIN 14	NO	YES
43	2x08	3.05	PIN 6 & 7	YES	YES
38	2x10	3.05	PIN 2	YES	YES
34	2x10	3.05	PIN 15	YES	YES
58	2x10	3.05	PIN 18	YES	YES
63	2x10	7.60		YES	YES
35	2x13	3.05	PIN 26	YES	YES
25	2x13	7.60		YES	YES
54	2x15	7.60		YES	YES
19	2x15	4.10		YES	YES
17	2x17	3.05	PIN 3	YES	YES
39	2x17	3.05	PIN 5	YES	YES
26	2x17	7.60		YES	YES
15	2x20	3.05	PIN 8	YES	YES
16	2x20	3.05	PIN 17	YES	YES
18	2x20	3.05	PIN 20	YES	YES
36	2x20	3.05	PIN 37	YES	YES
45	2x20	3.05	PIN 25,27,28	YES	YES
27	2x20	7.60		YES	YES
42	2x25	3.05	PIN 25	YES	YES
28	2x25	7.60		YES	YES
62	2x25	4.10		YES	YES



PLATING :

- 1 = 0.76µm GOLD/GXT
(PdNi WITH GOLD FLASH) ON CONTACT AREA
3.81µm TIN-LEAD ON TAIL
- 2 = 3.81µm TIN LEAD FULL PLATED
- 3 = 0.38µm GOLD/GXT
(PdNi WITH GOLD FLASH) ON CONTACT AREA
3.81µm TIN-LEAD ON TAIL
UNDERPLATE : 1.27µm Ni MIN
- WHEN SUFFIX LETTER "LF" IS REQUIRED,
2µm MIN MATTE TIN OVER 1.27µm MIN
NICKEL IS PROVIDED INSTEAD OF TIN-LEAD

▲ LAST ADDED PIN STYLE

FCJ
 FCconnect.com
 Copyright FCJ

mat'l. code		surface		tolerance		projection		product family	
		ISO 1302 ✓		ISO 406 ISO 1101				QUICKIE	
ltr	ecn no	dr	date	tolerances unless otherwise specified		mm		title	
H	B-18120	LMU	14.07.10	angles linear				SHR.LP.HEADER STR DR TMT	
C F06-0229		LMU	06.07.18			scale N/A		dwg no	
D F07-0198		LMU	07.05.30	dr MULIN.L				sheet 3 of - size	
E F08-0148		YOV	08.04.11	engr COMPAGNON.J				75869 A3	
F F10-0217		LMU	10.09.16	chr NOTTEAU.JF				type	
G F12-0086		JCO	12.07.17	appd J.M.C				CUSTOMER Drawing	
sheet	revision								
index	sheet								

