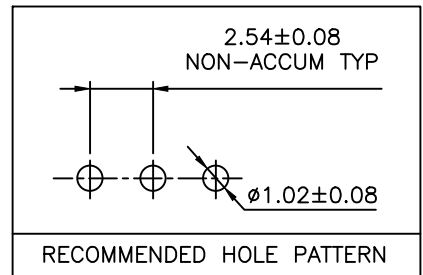
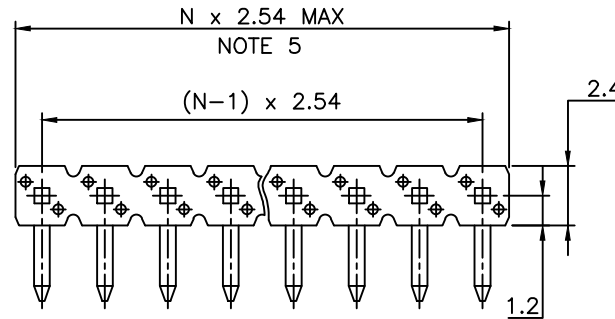


PRODUCT NUMBER

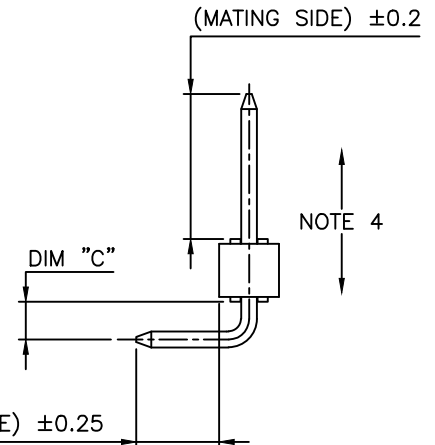
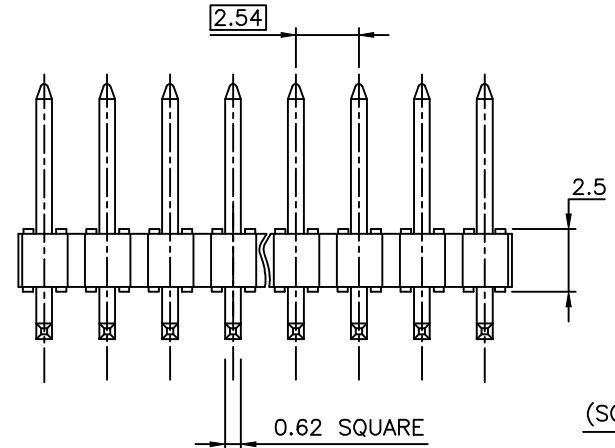
77315-YXX-XXLF

- RoHS COMPATIBLE
SEE NOTE 7
- TOTAL NB OF POSITIONS 01 TO 36
- PACKAGING, NOTE 3
- PIN STYLE SEE SHEET 2
- PLATING SEE SHEET 2



NOTES:

1. HOUSING MAT'L : HIGH TEMPERATURE THERMOPLASTIC. UL94V-0 COLOR: BLACK
2. PIN MATERIAL : PHOSPHOR BRONZE
3. PACKAGING:
 - PACKAGING POLYBAG
 - "V" BLIBOX PACK FOR CUSTOMER DEDICATED PART
 - "K" TAPE & REEL PACKAGING WITHOUT PICK UP CAP
4. 9N MIN RETENTION IN EITHER DIRECTION
5. TO DETERMINE DIMENSIONS :
N = NUMBER OF POSITIONS PER ROW
EXAMPLE : 8 POS N x 2.54 = 20.32mm
6. UNDERPLATING : 1.27µm Ni MIN
7. RoHS COMPATIBLE PRODUCT SPECIFICATIONS
 - a - PLATING:
 - "LF" MEANS THE PRODUCT IS LEAD-FREE, 2µm MINIMUM MATTE TIN OVER 1.27µm MINIMUM NICKEL UNDERPLATE.
 - b - MANUFACTURING PROCESS COMPATIBILITY
 - THE HOUSING WILL WITHSTAND EXPOSURE TO 260°C ±5°C SOLDER BATH TEMPERATURE FOR 5 SECONDS IN A WAVE SOLDER APPLICATION WITH A 1.6mm MIN THICK CIRCUIT BOARD.
 - REFLOW COMPATIBLE
 - c - LABELING:
 - MEETS PACKAGING SPECS AS PER GS-14-920
 - d - LEGAL STATEMENT: SEE GS-47-0004



Copyright FCI

mat'l. code SEE NOTES		surface ISO 1302 ✓		tolerance ISO 406 ISO 1101		projection mm		product family BERGSTIK	
ltr ecn no dr date		tolerances unless otherwise specified		angles linear		scale 5:1		title UNSHR.HEADER RA SR TMT	
AT F-23187 AMA 16.02.01		.x ±0.3						dwg no sheet 1 of 2 size	
AU F-23373 AMA 16.02.26		.xx ±0.15						77315 A3	
AV F-23462 LMU 16.03.07		.xxx ±0.05						type CUSTOMER Drawing	
AW F-23551 LMU 16.03.21		dr D.LE 01.01.24							
AX F-24328 AMA 16.06.17		enr JM.C 01.01.24							
		chr JM.C 01.01.24							
		appd JF.N 01.01.24							
sheet index		revision sheet		AX AS					
		1 2							

PRODUCT SPECIFICATIONS

PIN	STYLE	MATING	SOLDER	DIM "C"
01		5.72	2.57	1.5
02		5.72	5.11	1.5
03		5.72	7.65	1.5
07		5.72	5.11	3.9
13		5.72	3.45	1.5
18		5.84	3.05	1.5
22		11.71	3.2	1.5
24		6.75	2.85	1.5
25		8.07	3.05	1.5
26		8.2	12.6	1.5
27		5	3.9	1.5
28		3.1	3.1	1.5
29		9.7	2.90	1.5
30		8.30	4.40	1.5
31		11.70	2.80	1.5
32		8.90	3.05	1.5
33		10.20	3.05	1.5
34		10.00	3.25	1.5
35		5.72	12.73	1.5
36		N/A		
37		N/A		
38		8.51	5.51	1.5
39		9.80	9.30	1.5
40		8.13	2.54	3.90
41		14.20	3.05	1.5
42		9.00	7.20	1.5
43		8.08	2.79	1.5
44		15.70	2.79	1.5
45		8.20	2.35	1.5
46		3.10	9.90	1.5
47		2.30	2.30	1.5

PLATING

- 1 = 0.76µm GOLD/GXT ON CONTACT AREA, 2µm TIN MIN ON TAIL
- 4 = 3µm-5µm TIN FULL PLATED REFLOW
- 5 = 0.25µm GOLD/GXT ON CONTACT AREA, 2µm TIN MIN ON TAIL
- 8 = 0.38µm GOLD/GXT ON CONTACT AREA, 2µm TIN MIN ON TAIL
- G = 0.76µm FULL GXT
- S = 0.38µm FULL GXT
- 1.27µm NICKEL MIN UNDERLAYER FOR ALL PLATING VERSIONS



Copyright FCJ

mat'l. code		surface		tolerance		projection		product family	
SEE NOTES		ISO 1302 ✓		ISO 406 ISO 1101				BERGSTIK	
ltr	ecn no	dr	date	tolerances unless otherwise specified				title	
AP	F-23462	LMU	16.03.07	angles	linear	mm		UNSHR.HEADER	
AR	F-23551	LMU	16.03.21			scale 5:1		RA SR TMT	
AS	F-24328	AMA	16.06.17					dwg no	
				dr	D.LE	01.01.24			sheet 2 of 2
				enr	JM.C	01.01.24			77315
AM	B-18916	LMU	14.09.26	chr	JM.C	01.01.24			A3
AN	F-23373	AMA	16.02.26	appd	JF.N	01.01.24			type
sheet	revision								CUSTOMER
index	sheet								Drawing