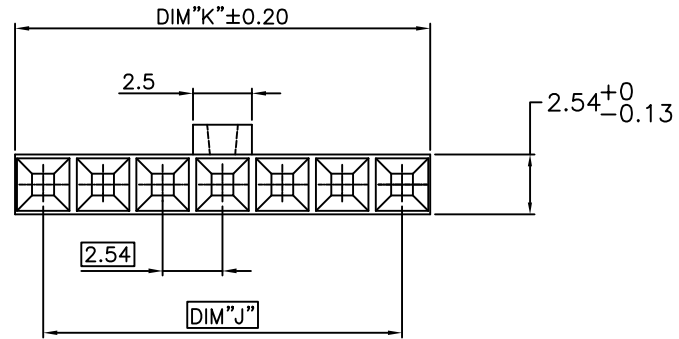
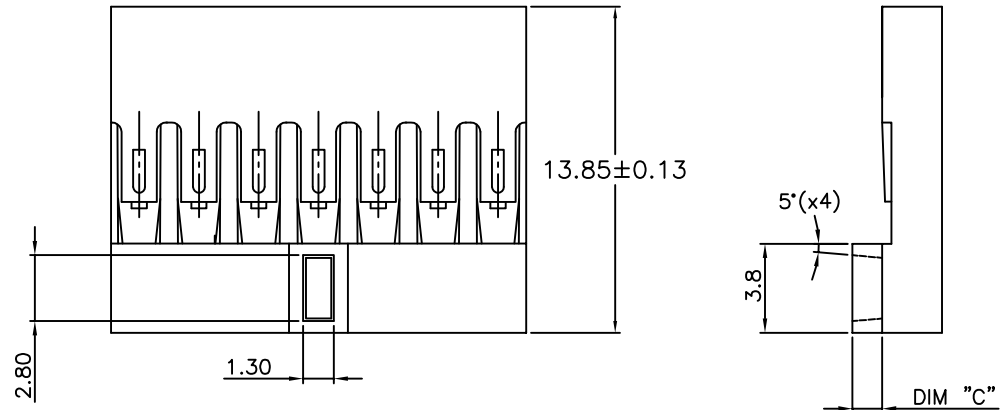


PRODUCT NUMBER	NO. OF POS	DIM K	DIM L	DIM C	DIM W DIM Z
78211-003LF	3	7.47	5.08	1.35	0.05
78211-004LF	4	10.01	7.62	1.35	0.05
78211-005LF	5	12.55	10.16	1.35	0.05
78211-006LF	6	15.09	12.70	1.35	0.10
78211-007LF	7	17.63	15.24	1.35	0.10
78211-008LF	8	20.17	17.78	1.35	0.10
78211-009LF	9	22.71	20.32	1.35	0.10
78211-010LF	10	25.25	22.86	1.35	0.10
78211-011LF	11	27.79	25.40	1.35	0.15
78211-012LF	12	30.33	27.94	1.35	0.15
78211-013LF	13	32.87	30.48	1.35	0.15
78211-014LF	14	35.81	33.02	1.35	0.15
78211-015LF	15	37.95	35.56	1.35	0.15
78211-103LF	3	7.47	5.08	2.54	0.05
78211-105LF	5	12.55	10.16	2.54	0.05
78211-106LF	6	15.09	12.70	2.54	0.10



NOTES:

- MOLDING MATERIAL : MODIFIED POLYPHELYNENE
COLOR BLACK, UL 94 V0
- LATCH MUST WITHSTAND 18N MIN PULL OUT FORCE
- STANDARD PACKAGING IN POLYBAGS
- TERMINALS MUST BE CRIMPED PROPERLY FOR SATISFACTORY LATCHING :
- FOR CRIMPING INSTRUCTIONS, SEE TA-75 AND TA-295
- FOR TERMINAL APPLICATION SEE TA-531.
PRODUCT SPECIFICATION: BUS-12-067.
- THIS HOUSING IS INTENDED FOR USE WITH MINI PV TERMINAL WITH 22-36 GAUGE WIRE
- RoHS COMPLIANT PRODUCT SPECIFICATIONS :
- MEETS PACKAGING SPECS AS PER GS-14-920
- PRODUCT MEETS EUROPEAN UNION DIRECTIVES AND OTHER COUNTRY REGULATIONS AS DESCRIBED IN GS-22-008.
- THE PRODUCT IS NOT INTENDED TO BE EXPOSED TO A MANUFACTURING SOLDER PROCESS.

mat'l. code 10036738		surface ISO 1302	tolerance ISO 406 ISO 1101	projection mm	product family BERGCON
ltr	ecn no	dr	date	tolerances unless otherwise specified	title
K	V07-0533	HTB	07.08.21	.X ±0.3	MINI LATCH HOUSING SR POLARIZED
L	B-14321	LMU	13.03.21	.XX ±0.13 .XXX ±0.05	
				scale 5:1	dwg no
				dr L.MULIN 13.03.21	sheet 1 of 1 size
				enrg L.MULIN 13.03.21	78211 A3
				chr J.COMPAGNON 13.03.21	type CUSTOMER Drawing
				appd LMU 13.03.21	
sheet index	revision sheet				