

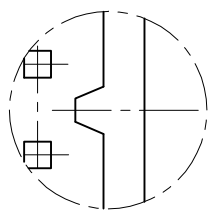
TECHNICAL SPECIFICATION

HOUSING MATERIAL : THERMOPLASTIC POLYESTER UL94V0; GREY
 HOUSING CAN WITHSTAND EXPOSURE TO LEAD FREE WAVE SOLDERING TEMPERATURE OF 260-265°C
 FOR STRAIGHT CONNECTORS AS IT IS USED IN CLASSICAL LEAD WAVE SOLDERING AT 235-250°C
 FOR ANGLE CONNECTORS, PROTECTIVE ADHESIVE OR PROTECTIVE METALLIC DEVICE IS TO BE USED
 AS IN CLASSICAL LEAD WAVE SOLDERING AT 235-250°C

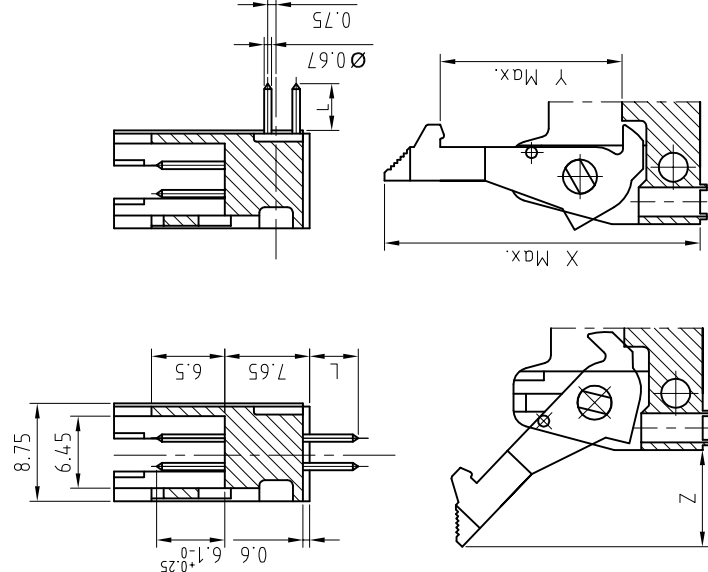
- CONTACT MATERIAL : COPPER ALLOY
 CONTACT PLATING : Au OR EQUIVALENT Au OVER PALLADIUM NICKEL OVER Ni
 ACTIVE ZONE : Sn (PURE MATTE) OVER Ni
 TERMINATION STYLE : 1.5A AT 20°C
 CURRENT RATING : ≥ 5000MΩ AT 100V
 INSULATION RESISTANCE : ≤ 20mΩ
 CONTACT RESISTANCE : 1000Vrms
 DIELECTRIC WITHSTANDING VOLTAGE : -55°C TO +125°C
 OPERATING TEMPERATURE : IEC 603-13 / DIN 41651
 REFERENCE SPECIFICATION :

NOTES

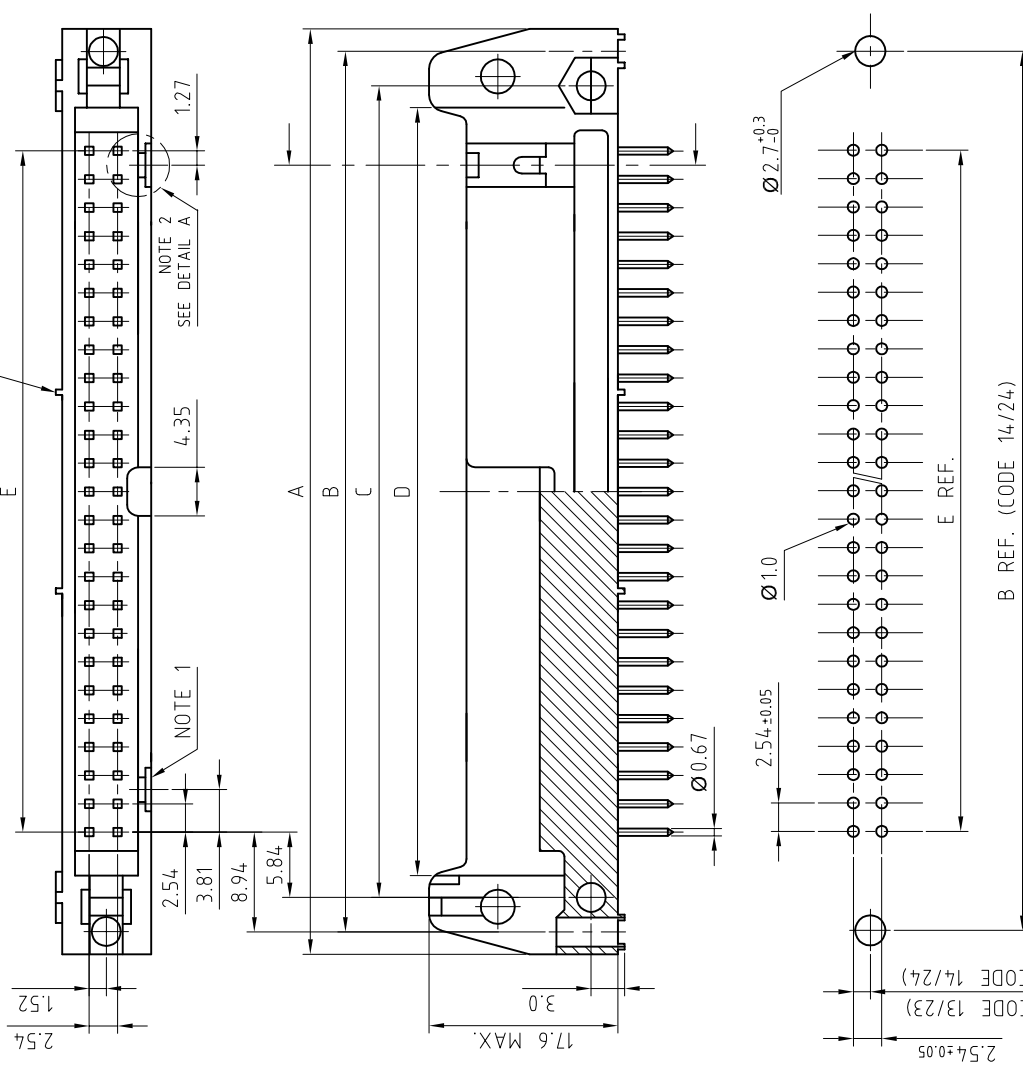
- LEFT POLARISATION IS NOT PROVIDED FOR 10 & 14 POSITIONS.
- RIGHT POLARISATION IS NOT PROVIDED FOR 10 POSITION, INSTEAD PROJECTION AS SHOWN IN DETAIL-A WILL BE PROVIDED.
- INTERMEDIATE LEGS ARE PROVIDED ONLY ABOVE 20 POSITION.
- THE "LF" PRODUCTS MEET EUROPEAN UNION DIRECTIVES AND OTHER COUNTRY REGULATIONS AS DESCRIBED IN GS-22-008.
- THE HOUSING WILL WITHSTAND EXPOSURE TO 260°C PEAK TEMPERATURE FOR 3.5 SECONDS IN A WAVE SOLDER APPLICATION WITH A 1.6 MM MINIMUM THICK CIRCUIT BOARD.
- LEAD FREE OR ROHS DIRECTIVE LABELING TO BE PROVIDED AS PER GS-14-920



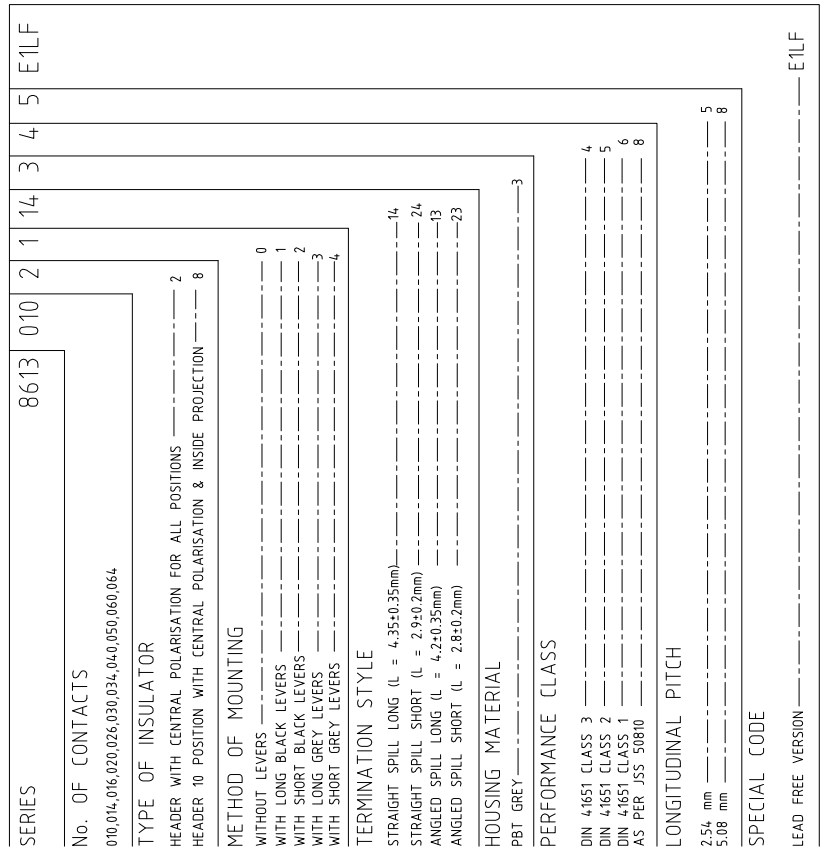
DETAIL A



DIMENSION	LOCKING LEVER	
	SHORT	LONG
X Max.	25.30	28.0
Y Max.	11.30	15.0
Z	9.0	10.5



PCB DRILLING DETAILS



SERIES 8613 010 2 1 14 3 4 5 E1LF
 No. OF CONTACTS 010,014,016,020,026,030,034,040,050,060,064
 TYPE OF INSULATOR
 HEADER WITH CENTRAL POLARISATION FOR ALL POSITIONS
 HEADER 10 POSITION WITH CENTRAL POLARISATION & INSIDE PROJECTION
 METHOD OF MOUNTING
 WITHOUT LEVERS
 WITH LONG BLACK LEVERS
 WITH SHORT BLACK LEVERS
 WITH LONG GREY LEVERS
 WITH SHORT GREY LEVERS
 TERMINATION STYLE
 STRAIGHT SPILL LONG (L = 4.35±0.35mm)
 STRAIGHT SPILL SHORT (L = 2.9±0.2mm)
 ANGLED SPILL LONG (L = 4.25±0.35mm)
 ANGLED SPILL SHORT (L = 2.8±0.2mm)
 HOUSING MATERIAL
 PBT GREY
 PERFORMANCE CLASS
 DIN 41651 CLASS 3
 DIN 41651 CLASS 2
 DIN 41651 CLASS 1
 AS PER JSS 50810
 LONGITUDINAL PITCH
 2.54 mm
 5.08 mm
 SPECIAL CODE
 LEAD FREE VERSION

POS.	DIMENSION				
	A±0.25	B±0.1	C±0.1	D-0.13	E±0.05
10	32.00	27.94	21.84	17.91	10.16
14	37.08	33.02	26.92	22.99	15.24
16	39.62	35.56	29.46	25.53	17.78
20	44.70	40.64	34.54	30.61	22.86
26	52.32	48.26	42.16	38.23	30.48
30	57.40	53.34	47.24	43.31	35.56
34	62.48	58.42	52.32	48.39	40.64
40	70.10	66.04	59.94	56.01	48.26
50	82.80	78.74	72.64	68.71	60.96
60	95.50	91.44	85.34	81.41	73.66
64	100.58	96.52	90.42	86.49	78.74

Copyright FCI



PDM: Rev:F

STATUS: Released

Printed: Dec 31, 2011