

PRODUCT NUMBER  
98464-X61-XX-XXXLF

RoHS COMPATIBLE, SEE NOTE 8

PLATING  
S = 0.38µm GOLD/GXT ON CONTACT AREA  
2µm MIN MATTE TIN ON TAIL

POLARIZATION (SEE NOTE 7)

PACKAGING OPTIONAL LETTER (SEE NOTE 5)

G = 0.76µm GOLD/GXT ON CONTACT AREA  
2µm MIN MATTE TIN ON TAIL

TOTAL NB OF POSITIONS, 04 TO 50

COLOR OPTION, NOTE 1

F = GOLD FLASH ON CONTACT AREA  
2µm MIN MATTE TIN ON TAIL

T = 2.0-5.0µm TIN FULL PLATED  
1.27µm Ni MIN UNDERPLATING

NOTES:

- MATERIAL HOUSING: HIGH TEMP. THERMOPLASTIC UL 94V-0  
- = STANDARD COLOR CREAM  
B = OPTIONAL COLOR BLACK

- MATERIAL TERMINAL: COPPER ALLOY

- TO DETERMINE DIMENSIONS:  
N = NUMBER OF POSITIONS PER ROW

- 7N MIN. PIN RETENTION IN EITHER DIRECTION.

- PACKAGING:

- = STANDARD PACKAGING IN POLYBAGS
- = POLYBAGS WHEN POLARISATION FEATURE APPLICABLE
- U = TUBE AVAILABLE FROM 06 TO 50 POS

- DIM "C" = (N x 2) + 1.4  
EXAMPLE: N = 7  
DIM "C" = (7 x 2) + 1.4 = 15.4 mm

- FOR POLARIZATION, SPECIFIED PIN  
EXAMPLE: A03= ROW A, POSITION 03 TO OMIT PIN  
OMIT FROM PRODUCT NUMBER IF THIS FEATURE IS NOT APPLICABLE

- RoHS COMPATIBLE PRODUCT SPECIFICATIONS

a - PLATING:

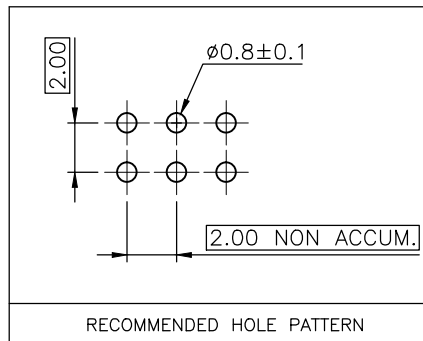
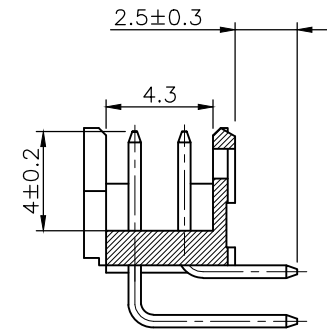
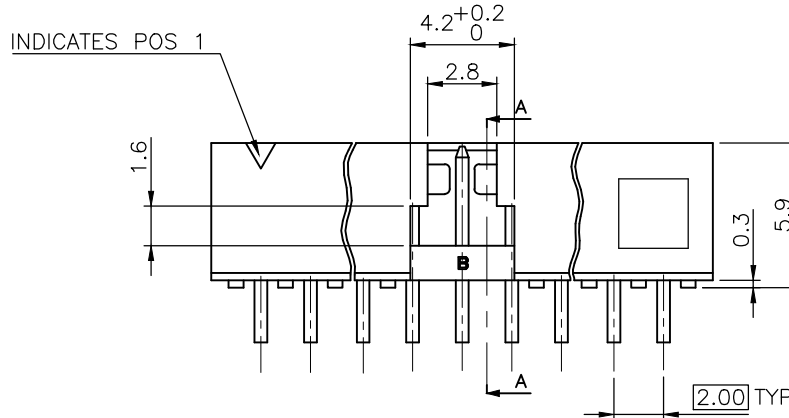
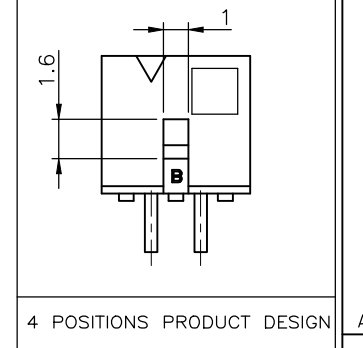
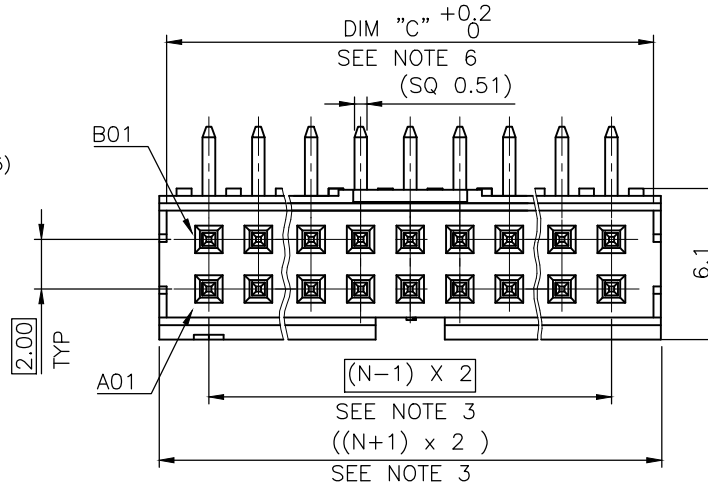
- "LF" MEANS THE PRODUCT IS LEAD-FREE,  
2µm MINIMUM MATTE TIN OVER 1.27µm  
MINIMUM NICKEL UNDERPLATE.

b - MANUFACTURING PROCESS COMPATIBILITY

- THE HOUSING WILL WITHSTAND EXPOSURE TO  
260°C ±5°C SOLDER BATH TEMPERATURE FOR  
5 SECONDS IN A WAVE SOLDER APPLICATION  
WITH A 1.6mm MIN THICK CIRCUIT BOARD.

c - LABELLING:

- MEETS PACKAGING SPECS AS PER GS-14-920
- THIS PRODUCT MEETS EUROPEAN DIRECTIVES  
AND OTHER COUNTRY REGULATIONS AS DISCRIBED  
IN GS-47-0004



mat'l. code SEE NOTES		surface ISO 1302	tolerance ISO 406 ISO 101	projection mm	product family MINITEK
ltr	ecn no dr date	tolerances unless otherwise specified		scale 1:1	title SHR HEADER 2.00 RIGHT ANGLE TMT
L	B-15815 JCO 13.09.11	angles	X.X ±0.3		
M	B-19190 LMU 14.10.24	linear	X.XX ±0.13	dwg no 98464	sheet 1 of 1 size A3
N	B-19797 AMA 14.12.16		X.XXX ±0.05		
P	B-19988 LMU 15.01.13	dr	L.MULIN 04.09.27	type CUSTOMER Drawing	
J	F08-0145 ELA 15.04.08	enrg	J.COMPAGNON 04.09.27		
K	F12-0088 JCO 12.07.23	appd	JM.C 04.09.27		
sheet index	revision sheet				