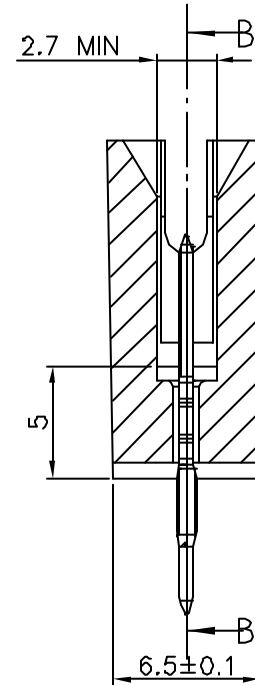
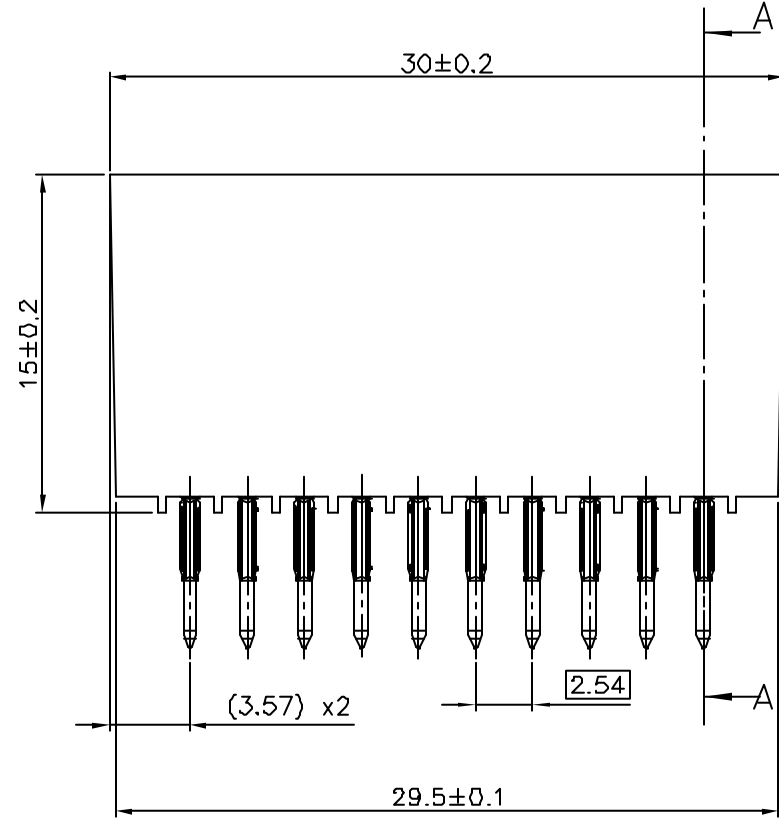
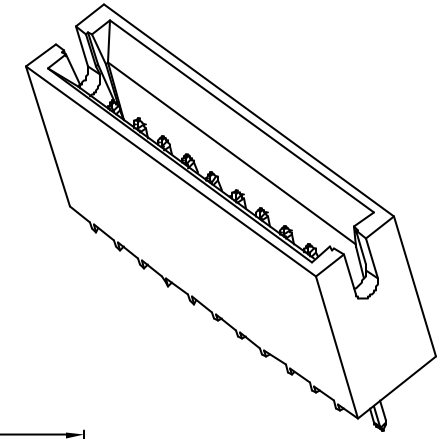
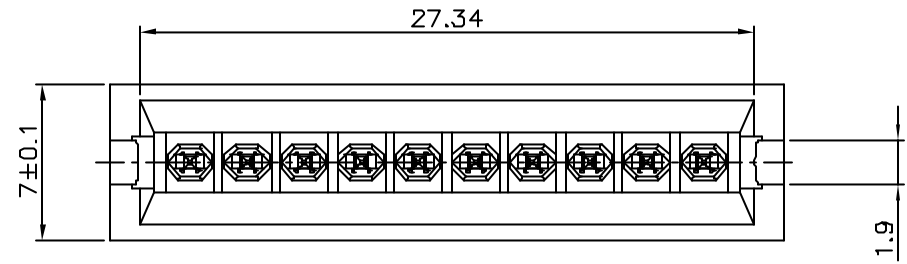
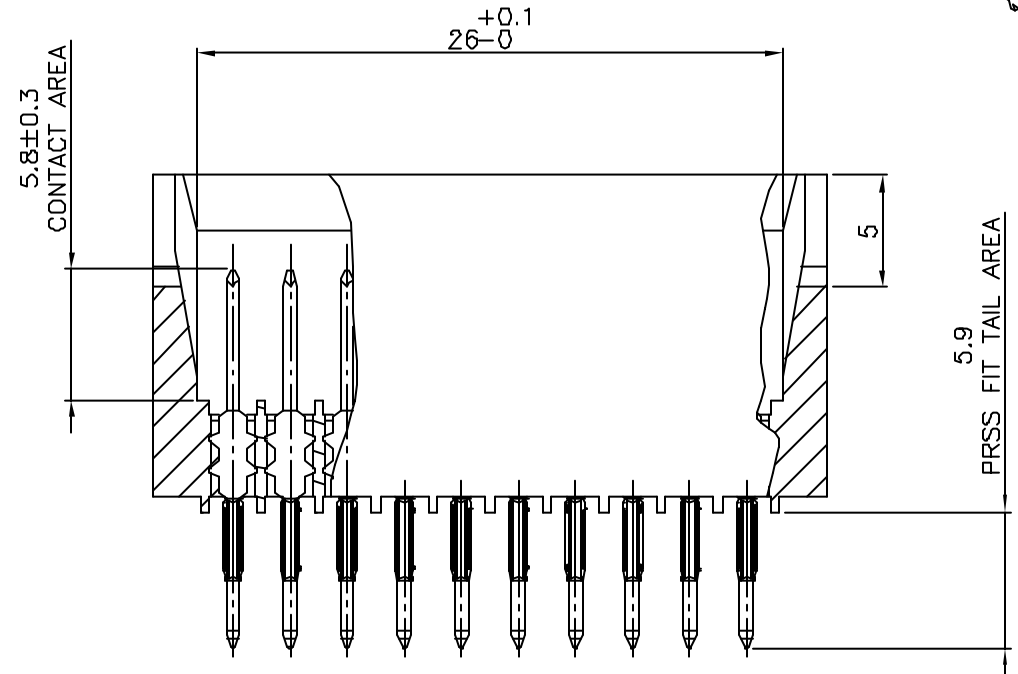


PRODUCT NUMBER
98495-401-10



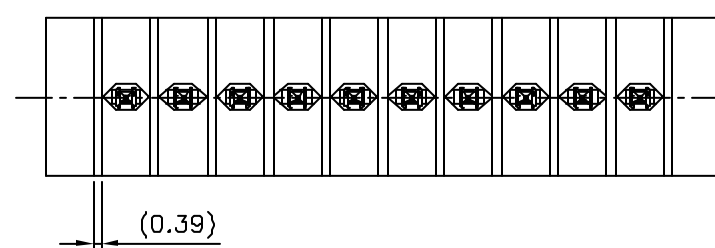
SECTION A-A



SECTION B-B

NOTES:

- HOUSING MATERIAL : THERMOPLASTIC 30% GLASS FIBER, COLOR BLACK HIGH TEMPERATURE
- PIN MATERIAL : COPPER ALLOY
- RECOMMENDED HOLE SIZE FOR PCB :
 - DRILLED $\varnothing 1.15 \pm 0.025$
 - COPPER LAYER 0.05 ± 0.025
 - FINAL TINNED HOLE SIZE $\varnothing 0.94$ TO $\varnothing 1.09$ (DIN 41611)



98495-4XX-XX	2 μ m Au MIN	2-5 μ m TIN-LEAD
PLATING NUMBER	CONTACT AREA	PRESS FIT TAIL AREA
	PLATING THICKNESS OVER 2 μ m Ni MIN	

mat'l. code		surface		tolerance		projection		product family	
SEE NOTES		ISO 1302 ✓		ISO 406 ISO 1101		mm		DIN	
Ltr	ecn no	dr	date	tolerances unless otherwise specified		mm		title	
A	F20137	LMU	02.02.25	angles	Linear	scale 5:1		DIN HEADER	
B	F06-0124	LMU	06.02.15					PRESS FIT 10 POS	
C	F06-0228	LMU	06.07.11					dwg no	
				dr	LMULIN	02.02.25	sheet 1 of 1		size
				enr	JM.C	02.02.25	98495		A3
				chr			type		CUSTOMER Drawing
				appd	JM.C	06.02.15			
sheet index	revision sheet								



Copyright FCI