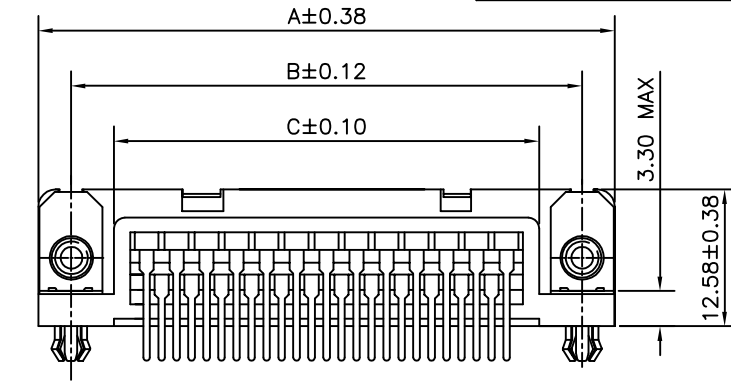
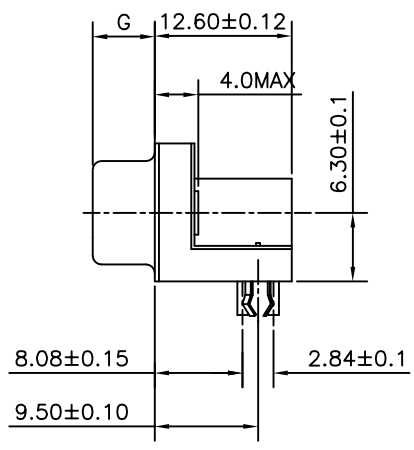
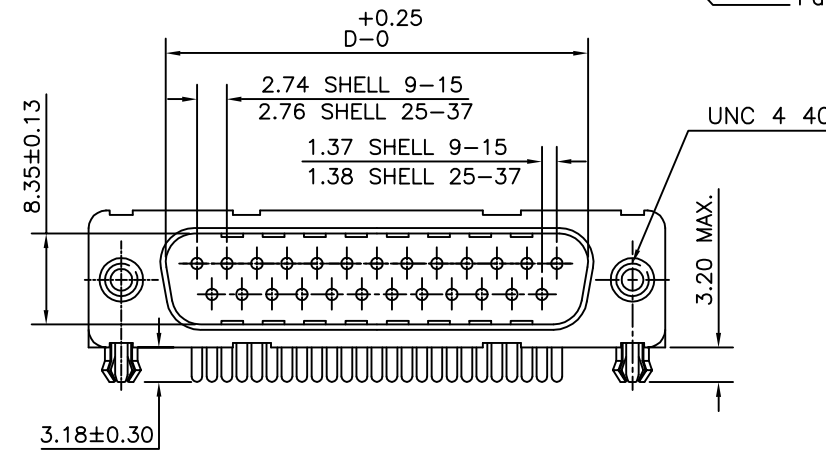
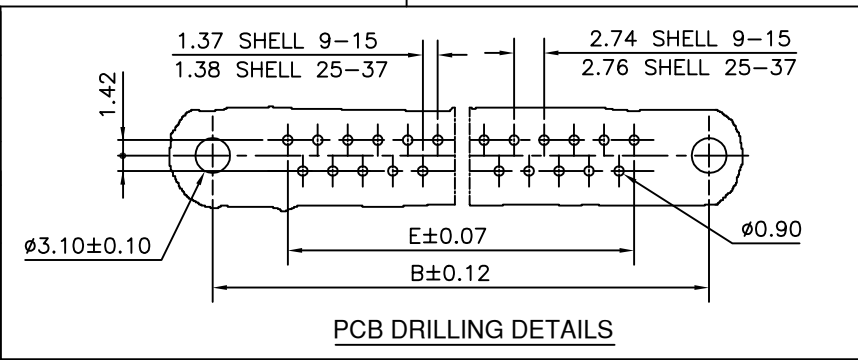


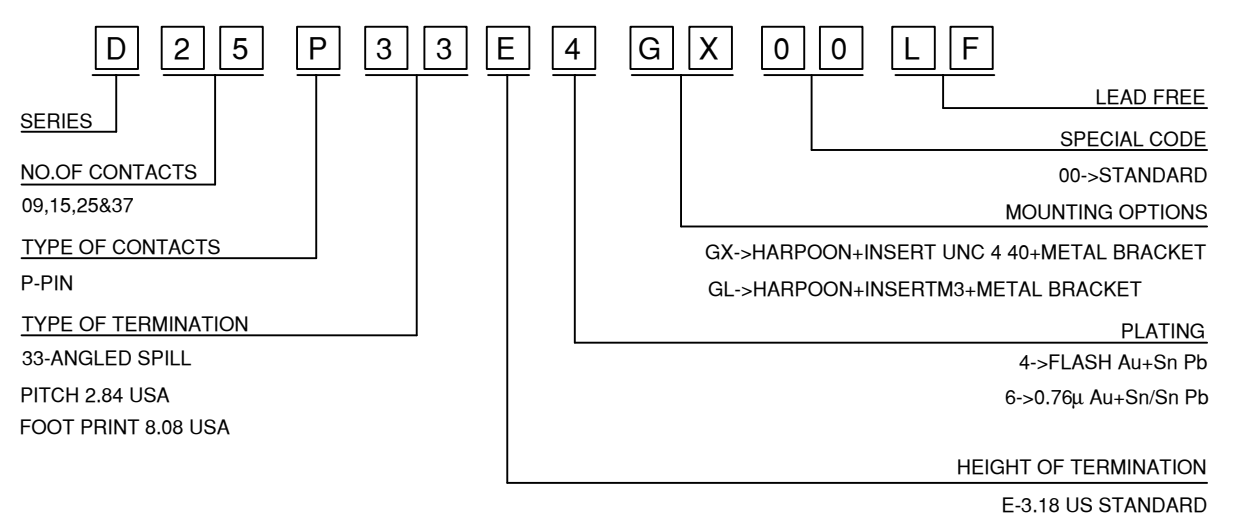
37	69.32	63.50	55.68	55.30	49.68	5.70 ^{+0.25} ₋₀
25	53.03	47.04	39.12	38.84	33.12	5.70 ^{+0.25} ₋₀
15	39.14	33.32	25.18	25.12	19.18	5.90 ^{+0.15} ₋₀
09	30.81	24.99	16.96	16.79	10.96	5.90 ^{+0.15} ₋₀
SHELL	A	B	C	D	E	G



- MATERIAL**
- SHELL : STEEL TIN/Zinc Cr 3 PLATED.
 - INSULATORS : SELF EXTINGUISHING BLACK POLYESTER UL CLASS 94V0
 - CONTACTS : COPPER ALLOY
 - ACTIVE ZONE : GOLD OVER NICKEL
 - TERMINATION ZONE : TIN LEAD OVER NICKEL
 - FOR LEAD FREE PLATING : 2µMIN.MATTE TIN TOP OVER
 - METAL BRACKET : BRASS,TIN/Zinc Cr 3 PLATED.
 - HARPOON : BRASS,TIN PLATED.
 - CLINCH NUT : BRASS,TIN/Zinc Cr 3 PLATED.

- ELECTRICAL DATA**
- MAX.CURRENT RATING : 5A
 - TEST VOLTAGE : 1000V
 - RATED VOLTAGE : 300V
 - CONTACT RESISTANCE : ≤ 25mΩ
 - SHELL RESISTANCE : ≤ 5mΩ
 - INSULATION RESISTANCE : ≥ 5000MΩ
- ENVIRONMENTAL CHARACTERISTICS**
- OPERATING TEMPERATURE RANGE : -55°C +125°C
- MECHANICAL CHARACTERISTICS**
- MATING/UNMATING CYCLES (MIN) : 200 (FLASH Au); 500 (0.76µ Au)
 - INSERTION/EXTRACTION FORCE PER CONTACT : 5 N Max./ 0.3 N Min.

ORDERING INFORMATION



"This LF product meets European Union Directives and other country regulations as described in GS-22-008"

The housing will withstand exposure to 260°C peak temperature for 3.5 seconds in a wave solder application with a 1.6mm minimum thick circuit board.

Packaging as per GS-14-920

mat'l. code		surface		tolerance		projection		product family	
SEE NOTE 4		ISO 1302		ISO 406 ISO 1101		MM		DELTA-D	
ltr	ecn no	dr	date	tolerances unless otherwise specified		MM		title	
B	106-0074	GVJ	2006/06/08	angles	linear	MM		DELTA-D A/S MALE CONNECTOR (GX VER.)	
				0°±1°		scale		(WITH CLINCH NUT, HARPOON & METAL BRACKET)	
		dr	GEORGE.V.JOSEPH	1998/12/16				dwg no	
		enr	GEORGE.V.JOSEPH	1998/12/16				sheet 1 of 1	
		chr	GEORGE.V.JOSEPH	2006/06/22				size	
		appd	K_V_SIVADAS	2006/06/22				A3	
sheet index		revision sheet		B				type	
1		1		1				Product Customer Drawing	

Copyright FCI
 FCconnect.com