

REFERENCE SPECIFICATIONS

-NFC 93425 (in compliance with HE 507)

PHYSICAL CHARACTERISTICS

-INSULATOR MATERIAL: THERMOPLASTIC .UL94V0

-ACCESSORIES: BRASS

-SHELLS: STEEL

ELECTRICAL CHARACTERISTICS

-CONTACT/CONTACT : >=1000 V

-CONTACT/GROUND : >=1200 V

-INSULATION RESISTANCE: >=5000 MOhms

ENVIRONMENTAL CHARACTERISTICS

- CLIMATIC CATEGORY: 55/125/21

TEMPERATURE RANGE -55°C TO +125°C

DAMP HEAT STEADY STATE 21 DAYS

SALT SPRAY 24 HOURS

MECHANICAL CHARACTERISTICS

- RETENTION AGAINST TORQUE: - Threaded insert: 0.7 N.m minimum

- Female screw : 0.5 N.m minimum

NOTE RoHS INFORMATION

- The "LF" products meet european union Directives and other country regulations as described in GS-22-008.

- Shell plating :2 to 4 µm Cu+ Ni + 3 to 10µm Sn(pure bright)

- Accessories: Sn pure bright + nickel

- Packaging spec: See GS-14-920

Series ← DBL5W5SA00LF

Shell size: E A B C  
see sheet 2

Front accessory definition  
see sheet 2

Blank :without accessory

L : Threaded insert M3

O : Threaded insert UNC 4-40

V : Female screw UNC 4-40

See note RoHS

Layout of contacts (see sheet 3)

Contacts

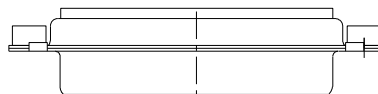
S :Socket

PCB accessory definition

A without accessory on PCB

Power contacts

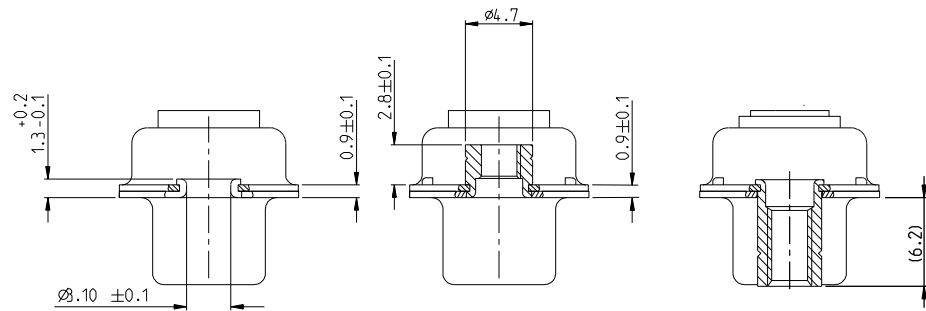
00 without power contact



www.fciconnect.com		Surface ISO 1302	-	Tolerance std ISO 406	ISO 1101	projection ASME	mm
TOLERANCES UNLESS OTHERWISE SPECIFIED							
Dr	M PESSON	2005-10-11	ANGULAR	0.X	±0.3	size	A2
Eng	P LEGARE	2005-10-11	LINEAR	0.XX	±0.1	Scale	2:1
Chr			0°	±2°	0.XXX	ECN	F09-0074
Appr			Product family			Spec ref	

Rev	ech no	dr	date
A	LS05-0113	HPE	2005-11-28
B	LS06-0208	LGD	2006-12-13
C	LS07-0273	HPE	2007-11-05
D	F09-0074	LSA	2009-08-18
-	-	-	-
-	-	-	-

FCI	title	SUB FEMALE DW	Rev.	D
	full power without contact			
Customer	C01-8639-2311	Sheet 1 of 1		



FRONT ACCESSORY	Blank without	L	insert M3	V	Female screw UNC 4-40
PCB ACCESSORIES	A without	A	without	A	without

PART NUMBER	FRONT ACCESSORY	PCB ACCESSORY
D*xW xSA00LF	WITHOUT	WITHOUT
D*VxW xSA00LF	Female screw UNC 4-40	WITHOUT
D*LxW xSA00LF	Insert M3	WITHOUT
D*0xW xSA00LF	Insert UNC 4-40	WITHOUT

shell size LAYOUTS

- E | 2V2
- A | 3V3
- A | 3W3
- B | 5W5
- C | 8W8

SCALE:4

Copyright FCI.  
FCI

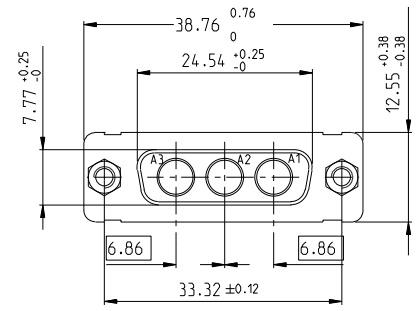
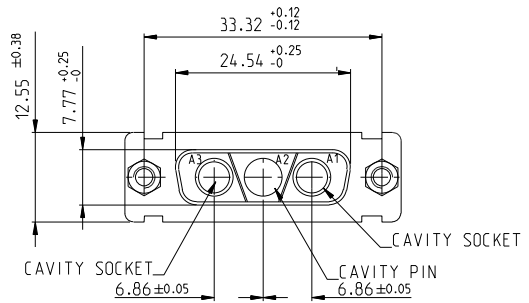
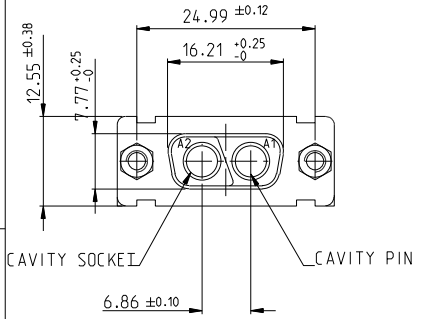
www.fciconnect.com		surface ISO 1302	tolerance std ISO 406 ISO 1101	projection ASME Y14.5	mm
TOLERANCES UNLESS OTHERWISE SPECIFIED					
Dr	M PESSON	2005-10-11	ANGULAR	0.X ±0.3	size A2 Scale 2:1
Eng	P LEGARE	2005-10-11	LINEAR	0.XXX ±0.1	ECN F09-0074
Chr			0° ±2°	0.XXX ±0.05	Spec ref
Appr			Product family	-	

FCI	title SUB FEMALE DW	Rev.
catalog no	full power without contact	D
Eng no	C01-8639-2311	

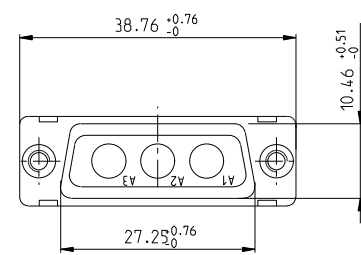
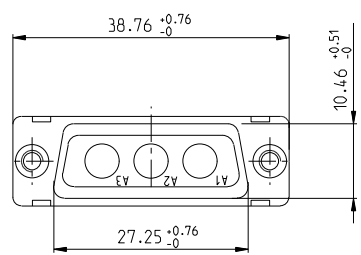
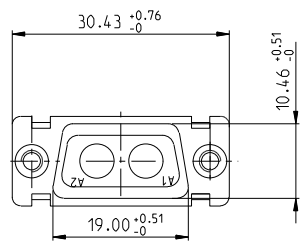
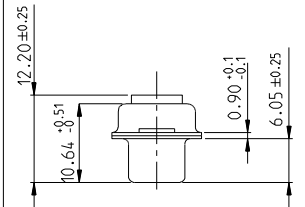
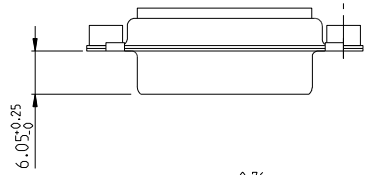
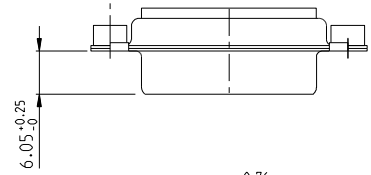
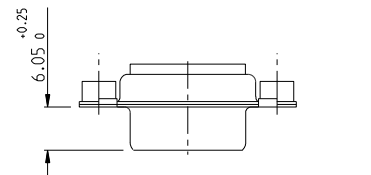
# 2V2

# 3V3

# 3W3



SIDE VIEW FOR LAYOUTS: E A B C

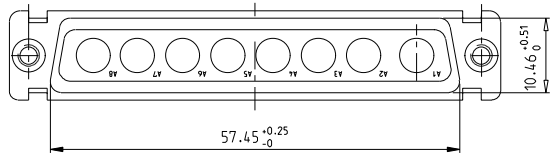
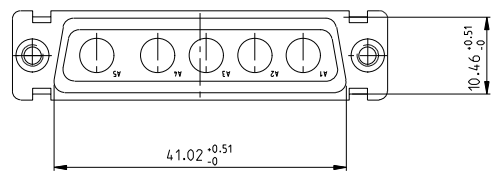
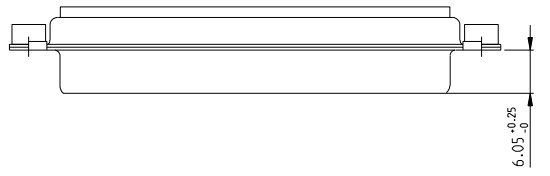
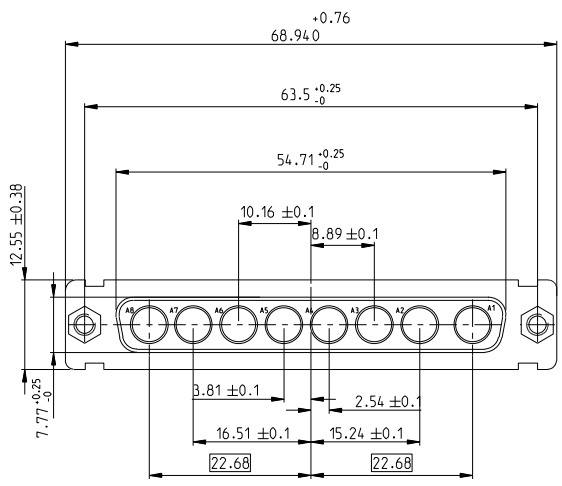
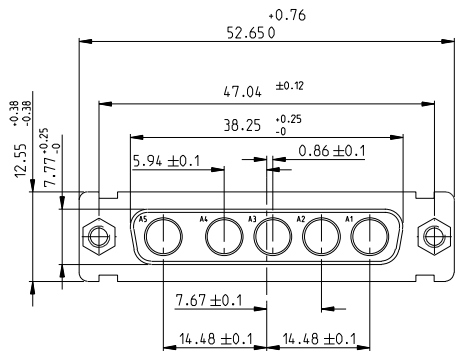


www.fciconnect.com		Surface ISO 1302	tolerance std ISO 406 ISO 1101	projection	mm
TOLERANCES UNLESS OTHERWISE SPECIFIED					
Dr	M PESSON	2005-10-11	ANGULAR	0.X ±0.3	size A2
Eng	P LEGARE	2005-10-11	LINEAR	0.XXX ±0.1	Scale 2:1
Chr			0° ±2°	0.XXX ±0.05	ECN F09-0074
Appr			Product family	-	Spec ref

<b>FCI</b>	title SUB FEMALE DW full power without contact	part no C01-8639-2311	Rev. D
------------	---	-----------------------	--------

5W5

8W8



Copyright FCI. FCI

www.fciconnect.com		Surface ISO 1302	tolerance std ISO 406 ISO 1101	projection	mm
TOLERANCES UNLESS OTHERWISE SPECIFIED					
Dr	M PESSON	2005-10-11	ANGULAR	0.X ±0.3	size A2
Eng	P LEGARE	2005-10-11	LINEAR	0.XXX ±0.1	Scale 2:1
Chr			0° ±2°	0.XXX ±0.05	ECN F09-0074
Appr			Product family	-	Spec ref

FCI	title SUB FEMALE DW	part no C01-8639-2311	Rev. D
	full power without contact	CUSTOMER	Sheet 4 of 4