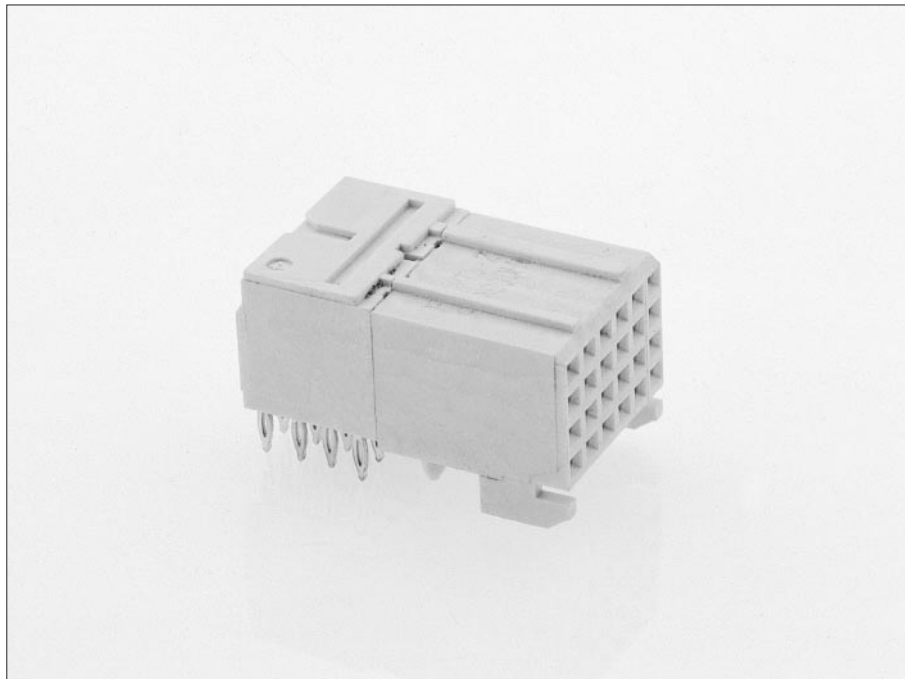




## Female signal right angle press-fit pins - 4 ROWS

### Features

- Grid at 2 mm spacing (0.079 inch)
- Tails fit into  $\varnothing$  0.7 mm nominal PTH size (eye of the needle compliant pin design)
- Compliant pin accepts both 1.6 and 2.4 mm PCB thickness
- Stackable end to end without contact loss together with other MILLIPACS 1 modules
- Modular flexible system
- 3.2 mm PCB thickness cannot be accommodated
- Forced fit pegs in each 12 mm module
- Flat rock insertion process of the 2 part connector
- Polarization by design
- Material: LCP (SMT compatible)
- Standard plating: gold over nickel



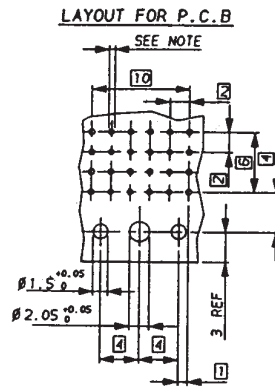
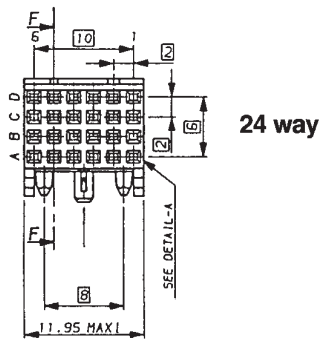
### Ordering information

| Number of contacts | Part Number (P/N)         | Suffix   | PCB thickness |                     |
|--------------------|---------------------------|----------|---------------|---------------------|
|                    |                           |          | mm            | (inch)              |
| 24                 | <b>HM1 F41 FDP 000 H6</b> | <b>P</b> | 1.6 and 2.4   | (0.063) and (0.094) |
| 48                 | <b>HM1 F42 FDP 000 H6</b> | <b>P</b> | 1.6 and 2.4   | (0.063) and (0.094) |
| 96                 | <b>HM1 F43 FDP 000 H6</b> | <b>P</b> | 1.6 and 2.4   | (0.063) and (0.094) |
| 192                | <b>HM1 F44 FDP 000 H6</b> | <b>P</b> | 1.6 and 2.4   | (0.063) and (0.094) |

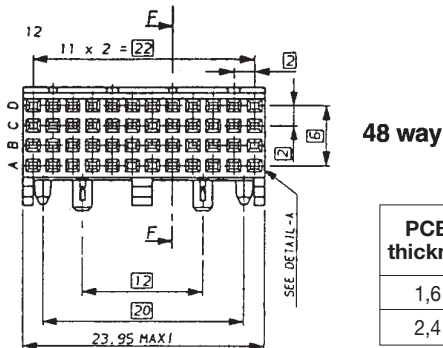
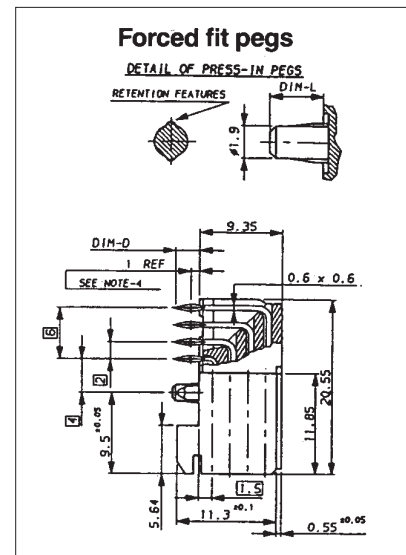
Standard products are printed in bold letters. Suffix " P " calls for the standard tray packaging.



## Female signal right angle press-fit pins - 4 ROWS



Note: Standard hole  $\phi$  0.7  
(0.65 mm - 0.80 mm PTH)



| PCB thickness | Dim D         | Dim L |
|---------------|---------------|-------|
| 1,6           | $2,9 \pm 0,3$ | 3     |
| 2,4           | $2,9 \pm 0,3$ | 3     |

