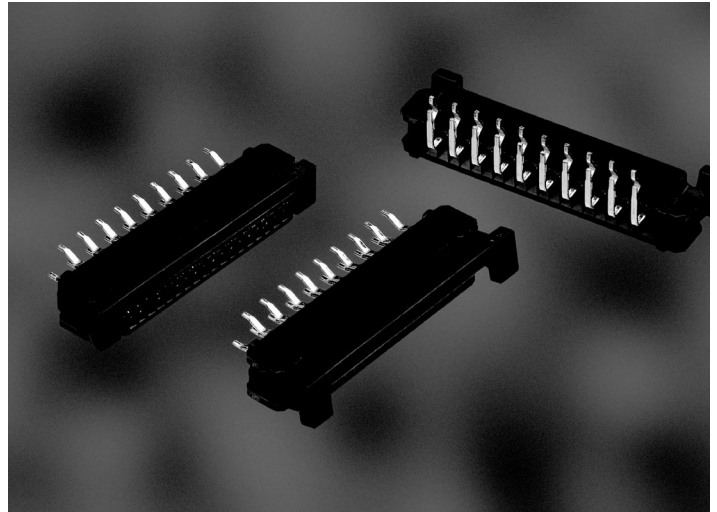


## 1.00 mm Spacing for FFC / FPC / CIC

### Features

- Available in 4 to 30 positions
- Right angle or vertical type
- Excellent cable retention with small size slider
- Kinked solder tails available



### Benefits

- The Gas-Tight, High pressure (GTH) contact system ensures a low cost connection with reliability equal to gold plating.
- The Zero Insertion Force connection allows an increased number of mating cycles with minimal wear.
- The ZIF pre-holding process provides a stable and reliable mating operation.
- The slider ensures maximum cable retention with a minimum size.
- Fork shaped contacts mean stable and low contact resistance.
- Kinked solder tails provide added PCB retention.
- Product variations cover a broad range of applications.

### Technical Data

### PC Board pattern (component side)

#### Material

##### Housing :

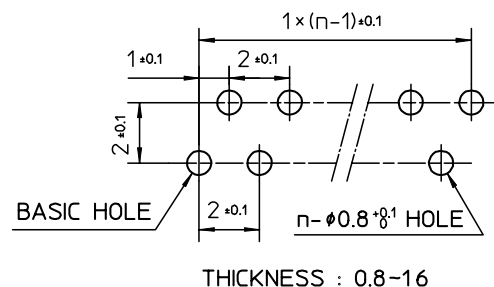
Nylon, glass reinforced, UL94V-0, Black

##### Slider :

Nylon, glass reinforced, UL94V-0, Black  
(For CIC : Milky-White)

##### Contact :

Phosphor Bronze, Tin alloy plated



## 1.00 mm Spacing for FFC / FPC / CIC

### Ordering Data

**Series** **SLW 25 S - 1 C7**

**No of contacts** 4 to 30

**Terminal type** R = Right angle  
S = Straight

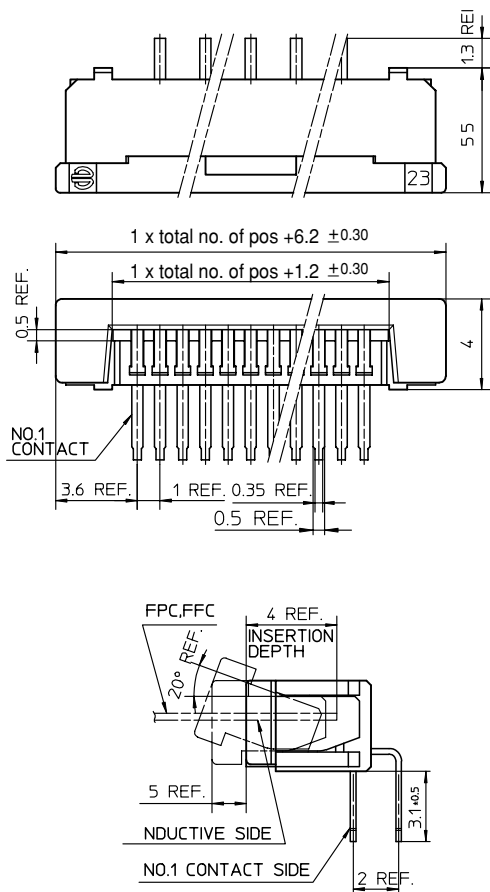
**Cable type** 1 = FPC/FFC  
5 = CIC

**Variation** A7 = non-kinked terminal  
C7 = kinked terminal

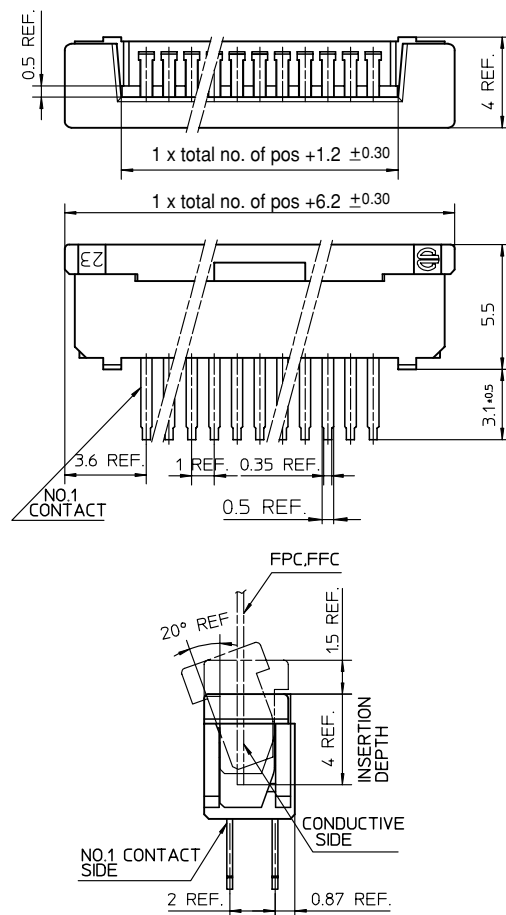
**Tray packaging**

### Dimensions

#### Right angle



#### Straight



**Circuitry Type** For Recommended Circuitry type see page 31