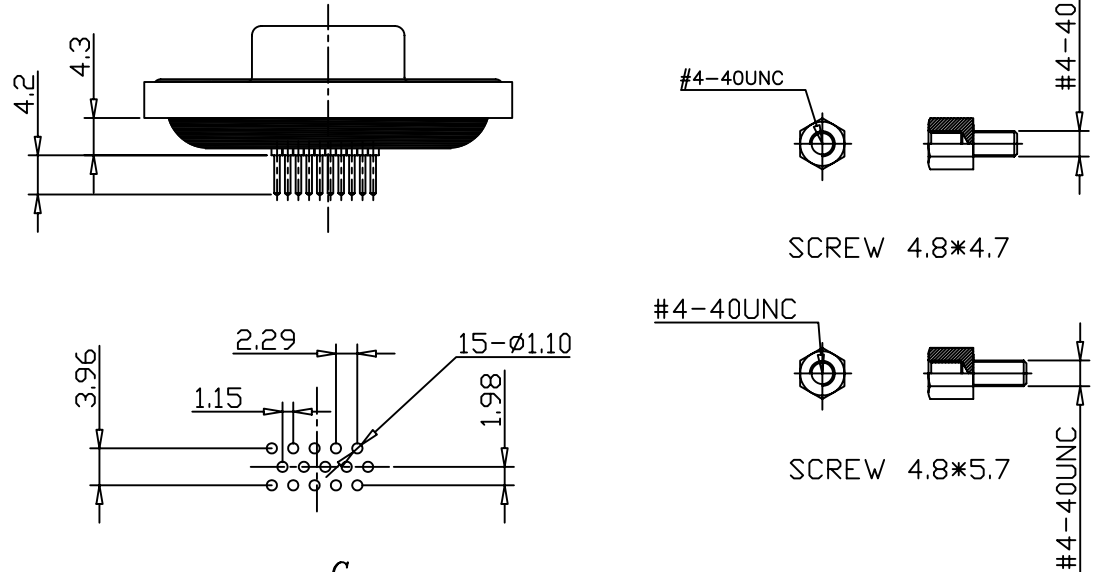
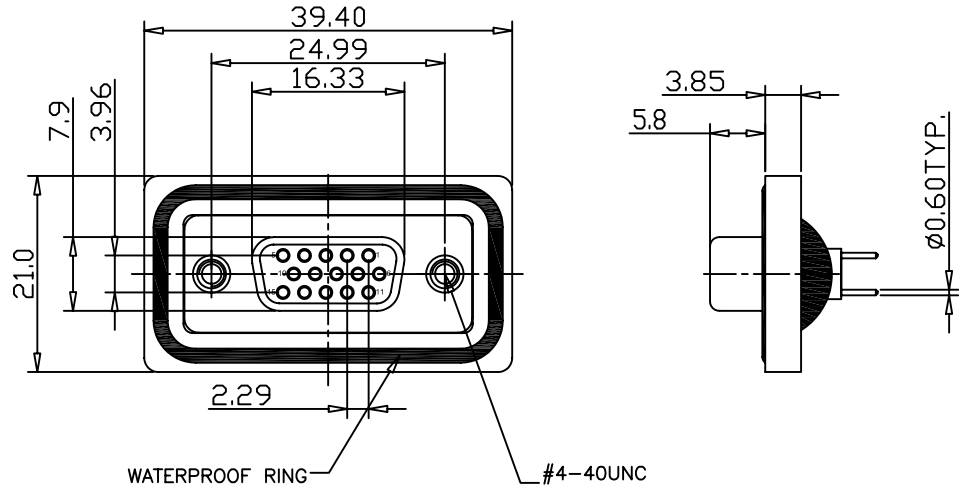


This document is the property of Amphenol Corporation and is delivered on the express condition that it is not to be disclosed, reproduced or used, in whole or in part, for manufacture or sale by anyone other than Amphenol Corporation without its prior consent, & that no right is granted to disclose or to use any information in this document.



RECOMMENDED P.C.B LAYOUT
(TOLERANCE +/-0.03)



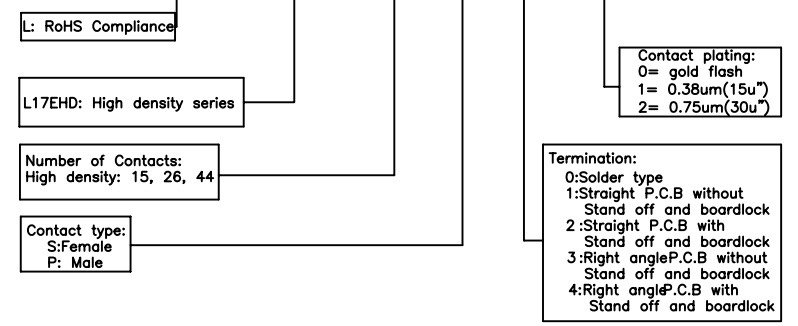
REVISIONS				
SYM	ECN	DESCRIPTION	DATE	APPROVED
1		Release drawing	08/07'09	IP

D-SUB TECHNICAL DATA

SHELL : Steel 2.5um(100u") min tin over 1.25um(50u") min nickel
 BODY : Glass filled thermoplastic.
 Flame retardant to UL94 V-0 Color Black
 CONTACTS : copper alloy
 gold over 1.25um(50u") min nickel
 BOARDLOCK : copper alloy, 100u" min. tin. over 50u" min. nickel.
 STAND OFF : copper alloy, 100u" min. tin. over 50u" min. nickel.
 ELECTRICAL : Voltage rating : 300 V RMS at 50 Hz
 Current rating 5.0A.
 Insulation resistance >5000 M Ohms
 Contact resistance 20 mOhms max.
 Waterproof rate : IP67
 CLIMATIC : Temperature range -55 °C up to 125°C
 Damp heat 56 days(40 °C-95% HR)
 MARKING : Amphenol-...(Series No.)
 Commercial reference
 Manufacturing date

PRODUCT CODE

L 17EHD



UNLESS OTHERWISE SPECIFIED TOLERANCES		APPROVAL		DATE
U.S.	METRIC	DRAWN	LEON YU	07/04/09
.X	+/-	CHECKED	ERIC	07/04/09
.XX	+/-	CHECKED		
.XXX	+/-			
FRACTIONS	+/-			
ANGLES	+/-			
FOR MATERIALS AND FINISHES SEE NOTES		DRAWING FILE :		
REMOVE SHARP EDGES		ANGLE OF PROJECTION		
DIMENSIONS				
U.S.	INCHES			
METRIC	MM			

Amphenol®

TITLE Water proof DIP type High density

SIZE	DRAWING NO.	REV.
A4	C L17EHD15S10	1
SCALE	NONE	SHEET 1 OF 1