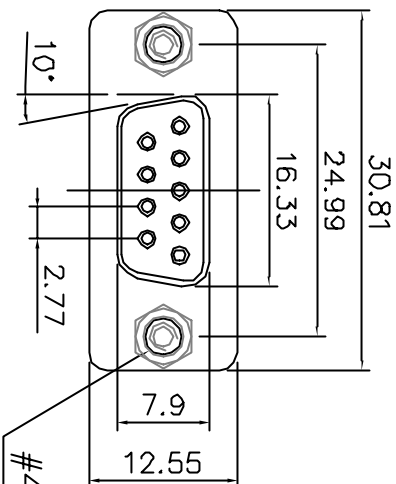


This document is the property of AmpHENOL Corporation and is delivered on the express condition that it is not to be disclosed, reproduced or used, in whole or in part, for the manufacture or sale by anyone other than AmpHENOL Corporation without its prior consent, and that no right is granted in disclosure or to use any trademark in this document.

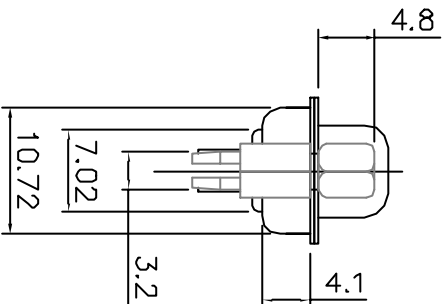
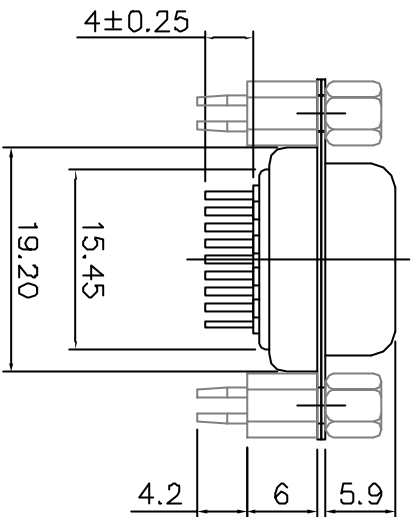
FEMALE

Specifications

- Contact Resistance: 30m ohms max. at DC 100mA
- Insulator Resistance: 1000M ohms min. at DC 500V
- Current Rating: 5 AMP
- Dielectric Withstanding
- Voltage: AC 1000V For 1 minute
- Operating Temperature: -55°C ~ +105°C
- Shell : steel, tin plated
- Contact: Bronze , flash selective gold
- Tail plating : Tin
- Housing: PBT & 30% Glass Fiber (UL 94V-0)



#4-40 UNC threaded holes



Drawing number	Contact plating
L77SDEH09SOL2RM8	Gold flash
L177SDEH09SOL2RM8	.15µ inches
L77SDEH09SOL2RM8C309	.30µ inches

TOLERANCE	m/m	APPROVALS	DATE	TITLE
X	±0.05	CR	14/1/01	SD SERIES D-SUB CONNECTOR STRAIGHT PCB MOUNT, SOCKET
X.X	±0.1	JFL	14/1/01	
X.XX	±0.3	JFL	14/1/01	

SIZE	DRAWING	SCALE	SHEET	REV.
A4	L-77SDEH09SOL2RM8	N.A.	1 of 1	A