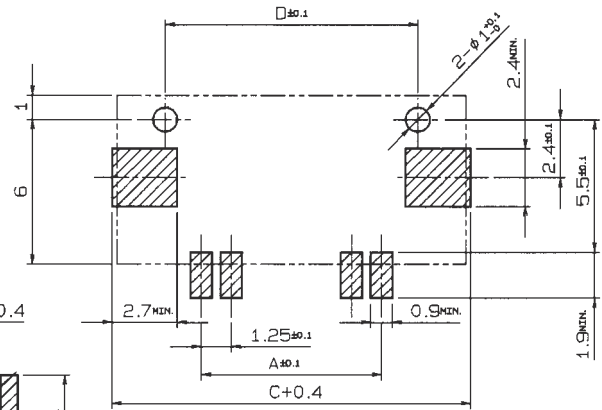
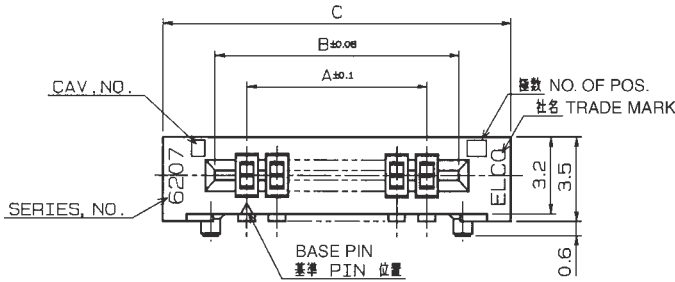


1.25mm Pitch
SERIES

6207

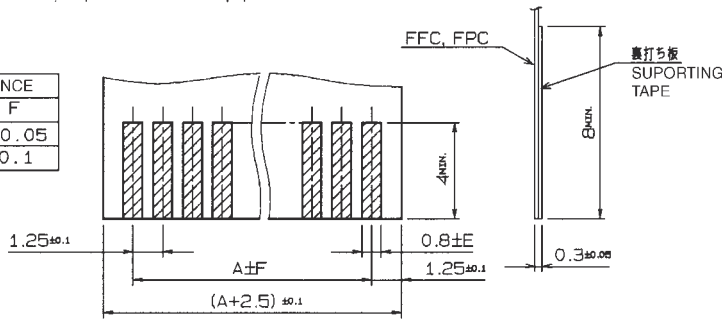
1.25mmピッチ NON-ZIF RA SMT 両面接点
1.25mmPitch LIF RA SMT Dual-sided contact



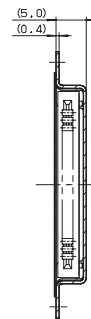
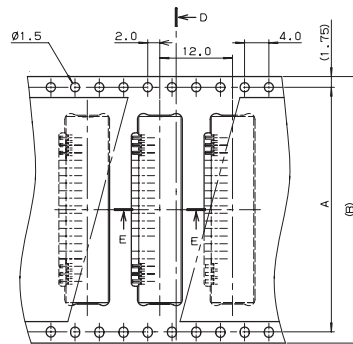
基板取付け寸法コネクタ搭載側より見た図
MOUNTING LAYOUT

| 極数 NO. OF POS. | 寸法表 DIMENSION | | | | 収納数量 UNITS/TUBE |
|----------------------|------------------|-------|-------|-------|--------------------|
| | A | B | C | D | |
| 5 | 5.00 | 7.66 | 12.00 | 8.00 | 40 |
| 6 | 6.25 | 8.91 | 13.25 | 9.25 | 36 |
| 7 | 7.50 | 10.16 | 14.50 | 10.50 | 33 |
| 8 | 8.75 | 11.41 | 15.75 | 11.75 | 31 |
| 9 | 10.00 | 12.66 | 17.00 | 13.00 | 28 |
| 10 | 11.25 | 13.91 | 18.25 | 14.25 | 26 |
| 11 | 12.50 | 15.16 | 19.50 | 15.50 | 25 |
| 12 | 13.75 | 16.41 | 20.75 | 16.75 | 23 |
| 13 | 15.00 | 17.66 | 22.00 | 18.00 | 22 |
| 14 | 16.25 | 18.91 | 23.25 | 19.25 | 21 |
| 15 | 17.50 | 20.16 | 24.50 | 20.50 | 20 |
| 16 | 18.75 | 21.41 | 25.75 | 21.75 | 19 |
| 17 | 20.00 | 22.66 | 27.00 | 23.00 | 18 |
| 18 | 21.25 | 23.91 | 28.25 | 24.25 | 17 |
| 19 | 22.50 | 25.16 | 29.50 | 25.50 | 16 |
| 20 | 23.75 | 26.41 | 30.75 | 26.75 | 15 |

| | 公差 TOLERANCE | |
|-----|--------------|-------|
| | E | F |
| FPC | ±0.1 | ±0.05 |
| FFC | ±0.03 | ±0.1 |

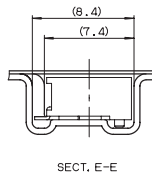


適合FPC, FFC寸法
APPLICABLE FPC/FFC



| 極数 NO. OF POS. | A | B |
|----------------------|------|------|
| 7 | — | 24.0 |
| 8 | — | 24.0 |
| 10 | — | 24.0 |
| 13 | 40.4 | 44.0 |
| 14 | 40.4 | 44.0 |
| 16 | 40.4 | 44.0 |
| 17 | 40.4 | 44.0 |
| 18 | 40.4 | 44.0 |
| 20 | 40.4 | 44.0 |

SECT. D-D



SECT. E-E

注文コード ORDERING CODE
00 6207 3X 1X XX 000+

RoHS 対応品
RoHS Compliant Product

- 4 : 標準品 Standard type
- 6 : カーボンフレキタイプ C/Ag type
- スズめっき Sn Plated
- 極数 NUMBER OF POSITIONS
- 0 : トレー梱包 TRAY PACKAGE
- 7 : エンボス梱包 Tape & Reel PACKAGE
- 9 : マガジン梱包 TUBE PACKAGE

生産対応可能極数については、営業部にご確認願います。
Feel free to contact our sales department for available numbers of positions.

梱包数量 1000個/リール
PACKING QUANTITY : 1000/Reel

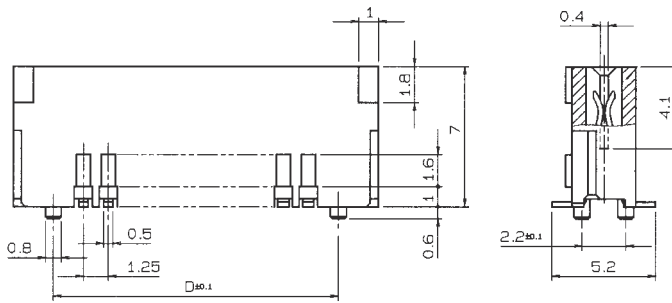
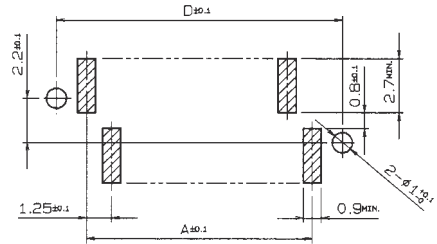
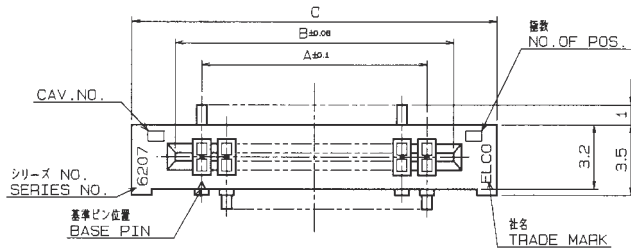
1.25mm Pitch

SERIES

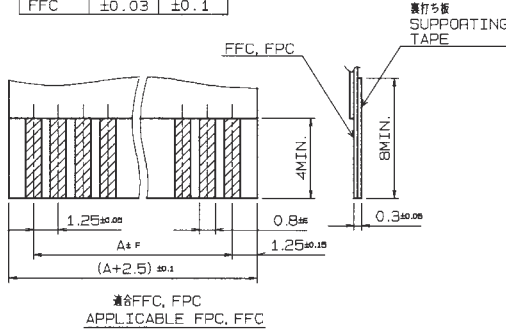
6207

1.25mmピッチ NON-ZIF ストレート SMT 両面接点

1.25mmPitch LIF Vertical SMT Dual-sided contact



| | 公差 TOLERANCE | |
|-----|--------------|-------|
| | E | F |
| FPC | ±0.1 | ±0.05 |
| FFC | ±0.03 | ±0.1 |



| 寸法表 DIMENSION | | | | | 収納数量 UNITS/TUBE |
|----------------------|-------|-------|-------|-------|--------------------|
| 極数 NO. OF POS. | A | B | C | D | |
| 5 | 5.00 | 7.66 | 12.00 | 8.00 | 40 |
| 6 | 6.25 | 8.91 | 13.25 | 9.25 | 36 |
| 7 | 7.50 | 10.16 | 14.50 | 10.50 | 33 |
| 8 | 8.75 | 11.41 | 15.75 | 11.75 | 31 |
| 9 | 10.00 | 12.66 | 17.00 | 13.00 | 28 |
| 10 | 11.25 | 13.91 | 18.25 | 14.25 | 26 |
| 11 | 12.50 | 15.16 | 19.50 | 15.50 | 25 |
| 12 | 13.75 | 16.41 | 20.75 | 16.75 | 23 |
| 13 | 15.00 | 17.66 | 22.00 | 18.00 | 22 |
| 14 | 16.25 | 18.91 | 23.25 | 19.25 | 21 |
| 15 | 17.50 | 20.16 | 24.50 | 20.50 | 20 |
| 16 | 18.75 | 21.41 | 25.75 | 21.75 | 19 |
| 17 | 20.00 | 22.66 | 27.00 | 23.00 | 18 |
| 18 | 21.25 | 23.91 | 28.25 | 24.25 | 17 |
| 19 | 22.50 | 25.16 | 29.50 | 25.50 | 16 |
| 20 | 23.75 | 26.41 | 30.75 | 26.75 | 15 |

注文コード ORDERING CODE

00 6207 3X 2X XX 000+

- 3: 標準品 Standard Type
 - 9: カーボンフレキタイプ C/Ag type
 - 0: トレー梱包 TRAY PACKAGE
 - 9: マガジン TUBE PACKAGE
- スズめつき Sn Plated
- 極数 NUMBER OF POSITIONS

RoHS 対応品

RoHS Compliant Product

生産対応可能極数については、営業部に
ご確認ください。

Feel free to contact our sales department
for available numbers of positions.