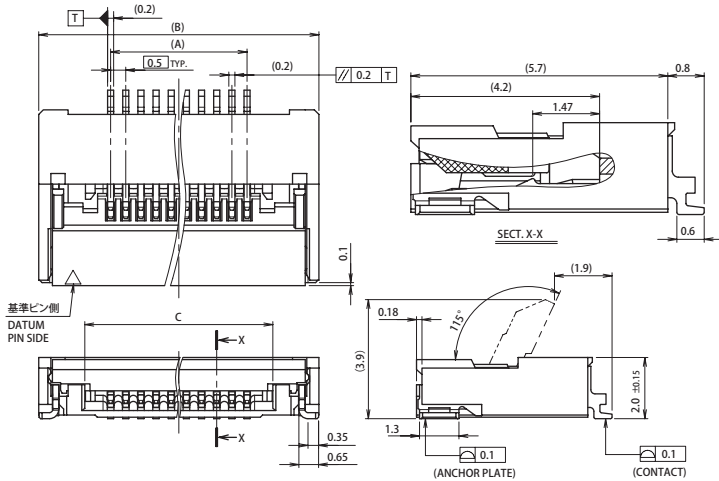


0.5mm Pitch
SERIES

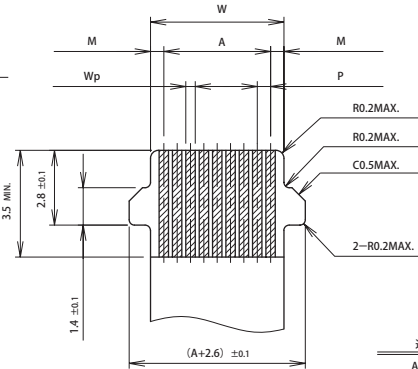
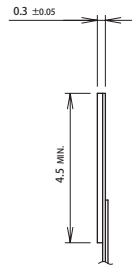
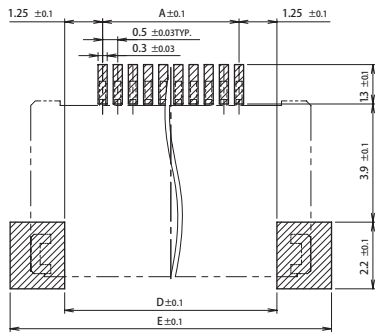
6288

0.5mmピッチ RA SMT 下接点 ワンタッチロック
0.5mmPitch RA SMT Bottom contact One-touch lock



極数 NO. OF POS.	A	B	C	D	E
8	3.5	8.24	5.2	6.0	9.6
9	4.0	8.74	5.7	6.5	10.1
10	4.5	9.24	6.2	7.0	10.6
11	5.0	9.74	6.7	7.5	11.1
12	5.5	10.24	7.2	8.0	11.6
13	6.0	10.74	7.7	8.5	12.1
14	6.5	11.24	8.2	9.0	12.6
15	7.0	11.74	8.7	9.5	13.1
16	7.5	12.24	9.2	10.0	13.6
17	8.0	12.74	9.7	10.5	14.1
18	8.5	13.24	10.2	11.0	14.6
19	9.0	13.74	10.7	11.5	15.1
20	9.5	14.24	11.2	12.0	15.6
21	10.0	14.74	11.7	12.5	16.1
22	10.5	15.24	12.2	13.0	16.6
23	11.0	15.74	12.7	13.5	17.1
24	11.5	16.24	13.2	14.0	17.6
25	12.0	16.74	13.7	14.5	18.1
26	12.5	17.24	14.2	15.0	18.6
27	13.0	17.74	14.7	15.5	19.1
28	13.5	18.24	15.2	16.0	19.6
29	14.0	18.74	15.7	16.5	20.1
30	14.5	19.24	16.2	17.0	20.6

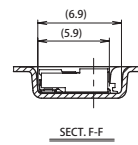
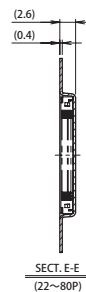
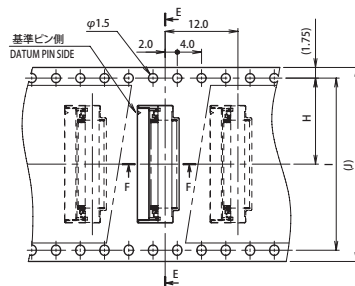
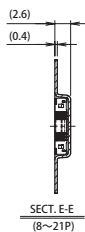
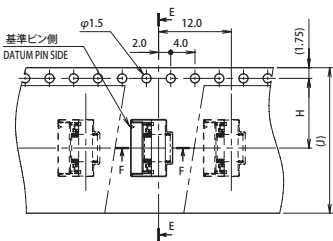
極数 NO. OF POS.	A	B	C	D	E
31	15.0	19.74	16.7	17.5	21.1
32	15.5	20.24	17.2	18.0	21.6
33	16.0	20.74	17.7	18.5	22.1
34	16.5	21.24	18.2	19.0	22.6
35	17.0	21.74	18.7	19.5	23.1
36	17.5	22.24	19.2	20.0	23.6
37	18.0	22.74	19.7	20.5	24.1
38	18.5	23.24	20.2	21.0	24.6
39	19.0	23.74	20.7	21.5	25.1
40	19.5	24.24	21.2	22.0	25.6
41	20.0	24.74	21.7	22.5	26.1
42	20.5	25.24	22.2	23.0	26.6
43	21.0	25.74	22.7	23.5	27.1
44	21.5	26.24	23.2	24.0	27.6
45	22.0	26.74	23.7	24.5	28.1
46	22.5	27.24	24.2	25.0	28.6
47	23.0	27.74	24.7	25.5	29.1
48	23.5	28.24	25.2	26.0	29.6
49	24.0	28.74	25.7	26.5	30.1
50	24.5	29.24	26.2	27.0	30.6
51	25.0	29.74	26.7	27.5	31.1
52	25.5	30.24	27.2	28.0	31.6
53	26.0	30.74	27.7	28.5	32.1
54	26.5	31.24	28.2	29.0	32.6
55	27.0	31.74	28.7	29.5	33.1
56	27.5	32.24	29.2	30.0	33.6
57	28.0	32.74	29.7	30.5	34.1
58	28.5	33.24	30.2	31.0	34.6
59	29.0	33.74	30.7	31.5	35.1
60	29.5	34.24	31.2	32.0	35.6
64	31.5	36.24	33.2	34.0	37.6
68	33.5	38.24	35.2	36.0	39.6
70	34.5	39.24	36.2	37.0	40.6
80	39.5	44.24	41.2	42.0	45.6



	FFC	
	1	2
M	0.5±0.07	0.5±0.08
P	0.5±0.03	0.5±0.05
A	A±0.05	A±0.05
W	W±0.07	W±0.07
Wp	0.35±0.03	0.32±0.03

適用FFC寸法は1か2を選択のこと。
SELECT AN APPLICABLE
FFC FROM 1 OR 2.

適用 FFC/FFC 寸法
APPLICABLE FFC/FFC



極数 NO. OF POS.	H	I	J
8 - 9	7.5	-	16.0
10 - 21	11.5	-	24.0
22 - 33	14.2	28.4	32.0
34 - 49	20.2	40.4	44.0
50 - 80	26.2	52.4	56.0

生産対応可能極数については、営業部に
ご確認ください。

Feel free to contact our sales department
for available numbers of positions.

梱包数量 2000個/リール
PACKING QUANTITY : 2000/Reel

注文コード ORDERING CODE

04 6288 OXX 000 846+

RoHS 対応品

RoHS Compliant Product

金めっき Au Plated

極数 NUMBER OF POSITIONS