

Features

- 4 mm pitch
- Low profile
- Rugged design
- Vertical or horizontal entry
- Tape & reel packaging available

- RoHS compliant* - see [processing information](#) on RoHS compliant surface mount components
- Halogen free**

70AD/Male - Modular Contact

Materials & Finishes

Insulator.....Glass reinforced thermoplastic, UL 94V-0 rated, black
 Contact.....Copper alloy
 Finish
 Underplating.....30 μ" min. Ni
 Contact Area.....30 μ" min. Au over Ni
 Termination.....Tin alloy (meets MIL-STD-202, method 208)

Operating Characteristics

Electrical
 Current Rating.....DC 3 A/contact
 Voltage Rating.....DC 30 V
 Contact Resistance.....25 mΩ max.
 Dielectric Voltage.....AC 500 V
 Insulating Resistance.....500 MΩ min.
 Operating Temperature.....-55 °C to 125 °C

Mechanical
 Vibration.....10-55 Hz, 0.06 inches D.A.
 Shock.....50 G, 11 ms
 Normal Force.....100 grams min. at a working height of 0.51 mm (0.020 in.)
 Durability.....5,000 cycles

How to Order

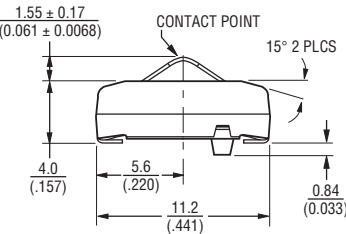
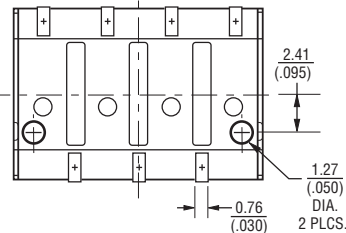
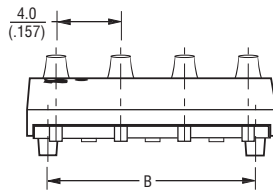
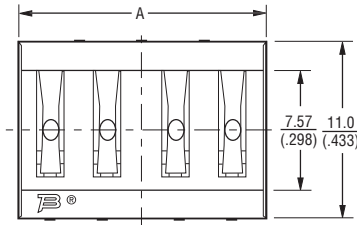
70AD J - 3 - M L 0 G

Model _____
 Terminal Style _____
 J = SMT
 H = Through-hole
 Number of Contacts _____
 2 through 6
 Gender _____
 M = Male
 Height _____
 L = Low Profile
 Options _____
 0 = Standard
 1 = Locator Pins (J style only)
 Packaging Option _____
 — = Tube (120/N pcs. or 120 contacts per tube)
 G = Embossed Tape (500 pcs. per reel)

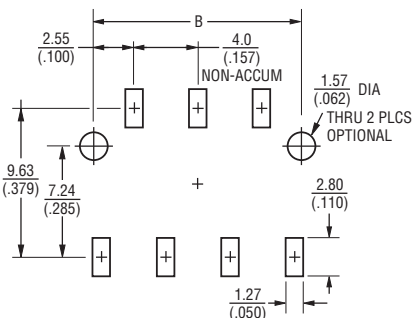
Number of Contacts	Dimension A	Dimension B
2	7.82 (.308)	5.11 (.201)
3	11.82 (.466)	9.11 (.359)
4	15.82 (.623)	13.11 (.516)
5	19.82 (.781)	17.11 (.674)
6	23.83 (.938)	21.11 (.831)

Product Dimensions

70ADJ



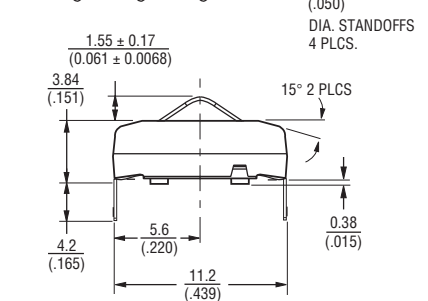
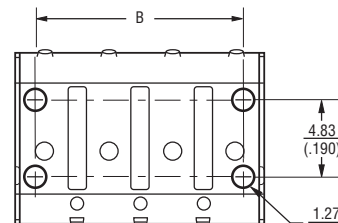
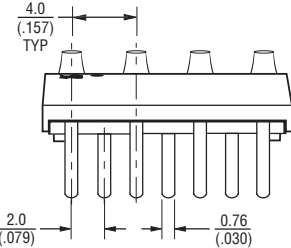
RECOMMENDED PWB MOUNTING PATTERN



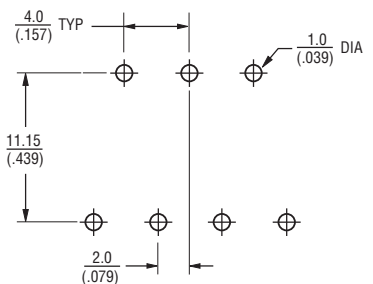
TOLERANCES: ± 0.3 UNLESS OTHERWISE NOTED
 (± 0.012)

DIMENSIONS: $\frac{\text{MM}}{\text{(INCHES)}}$

70ADH



RECOMMENDED PWB PCB HOLE PATTERN



* RoHS Directive 2002/95/EC Jan. 27, 2003 including annex and RoHS Recast 2011/65/EU June 8, 2011.

** Bourns considers a product to be "halogen free" if (a) the Bromine (Br) content is 900 ppm or less; (b) the Chlorine (Cl) content is 900 ppm or less; and (c) the total Bromine (Br) and Chlorine (Cl) content is 1500 ppm or less.

Specifications are subject to change without notice.

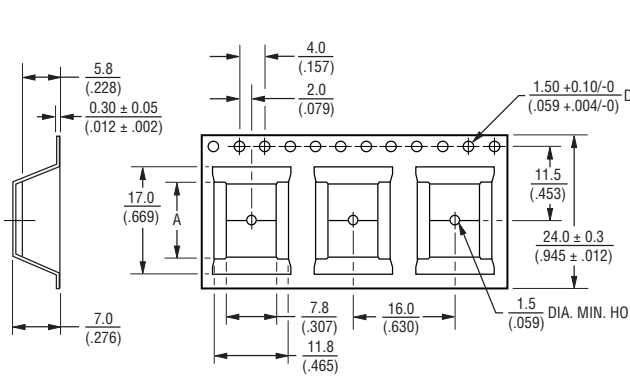
The device characteristics and parameters in this data sheet can and do vary in different applications and actual device performance may vary over time.

Users should verify actual device performance in their specific applications.

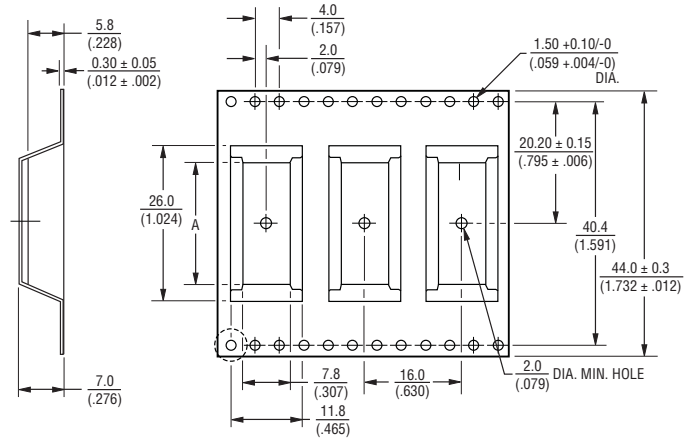
70AD/Male - Modular Contact

BOURNS®

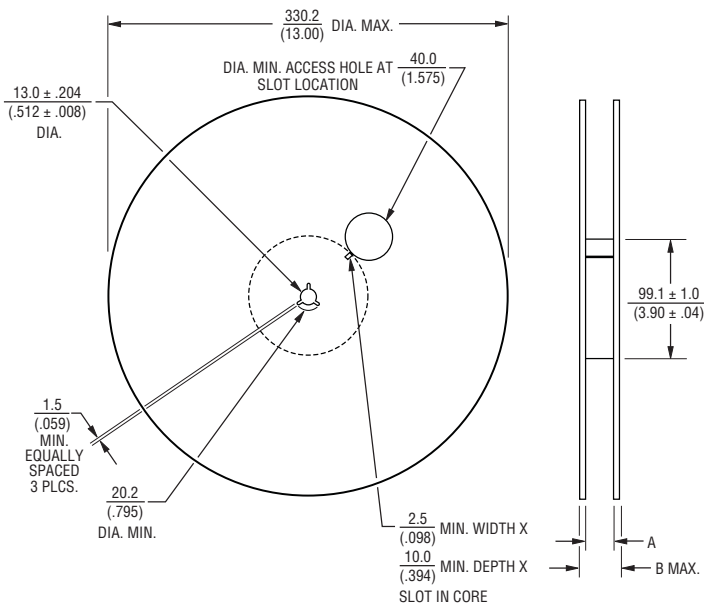
Packaging Specifications



No. of Contacts	Dimension A
2	$\frac{6.15}{(.242)}$
3	$\frac{11.7}{(.461)}$
4	$\frac{16.7}{(.657)}$



No. of Contacts	Dimension A
5	$\frac{19.4}{(.764)}$
6	$\frac{25.70}{(1.012)}$



No. of Contacts	Dimension A	Dimension B (Max.)
2	$\frac{24.41}{(.961)}$	$\frac{30.40}{(1.197)}$
3	$\frac{24.41}{(.961)}$	$\frac{30.40}{(1.197)}$
4	$\frac{24.41}{(.961)}$	$\frac{30.40}{(1.197)}$
5	$\frac{44.83}{(1.765)}$	$\frac{50.30}{(1.98)}$
6	$\frac{44.83}{(1.765)}$	$\frac{50.30}{(1.98)}$

DIMENSIONS: $\frac{\text{MM}}{\text{(INCHES)}}$

REV. 05/15

Specifications are subject to change without notice. The device characteristics and parameters in this data sheet can and do vary in different applications and actual device performance may vary over time. Users should verify actual device performance in their specific applications.