

LM5030 100-V Push-Pull Current Mode PWM Controller

1 Features

- Internal High-Voltage Start-Up Regulator
- Single Resistor Oscillator Setting
- Synchronizable
- Error Amplifier
- Precision Reference
- Adjustable Softstart
- Dual Mode Overcurrent Protection
- Slope Compensation
- Direct Optocoupler Interface
- 1.5-A Peak Gate Drivers
- Thermal Shutdown

2 Applications

- Telecommunication Power Converters
- Industrial Power Converters
- +42-V Automotive Systems

3 Description

The LM5030 high-voltage PWM controller contains all of the features needed to implement push-pull and bridge topologies, using current-mode control in a small 10-pin package. This device provides two alternating gate driver outputs. The LM5030 includes a high-voltage start-up regulator that operates over a wide input range of 14 V to 100 V. Additional features include: error amplifier, precision reference, dual mode current limit, slope compensation, softstart, sync capability, and thermal shutdown. This high speed IC has total propagation delays less than 100 ns and a 1-MHz capable single-resistor adjustable oscillator.

Device Information⁽¹⁾

PART NUMBER	PACKAGE	BODY SIZE (NOM)
LM5030	VSSOP (10)	3.00 mm x 3.00 mm
	WSON (10)	4.00 mm x 4.00 mm

(1) For all available packages, see the orderable addendum at the end of the data sheet.

Typical Application Diagram

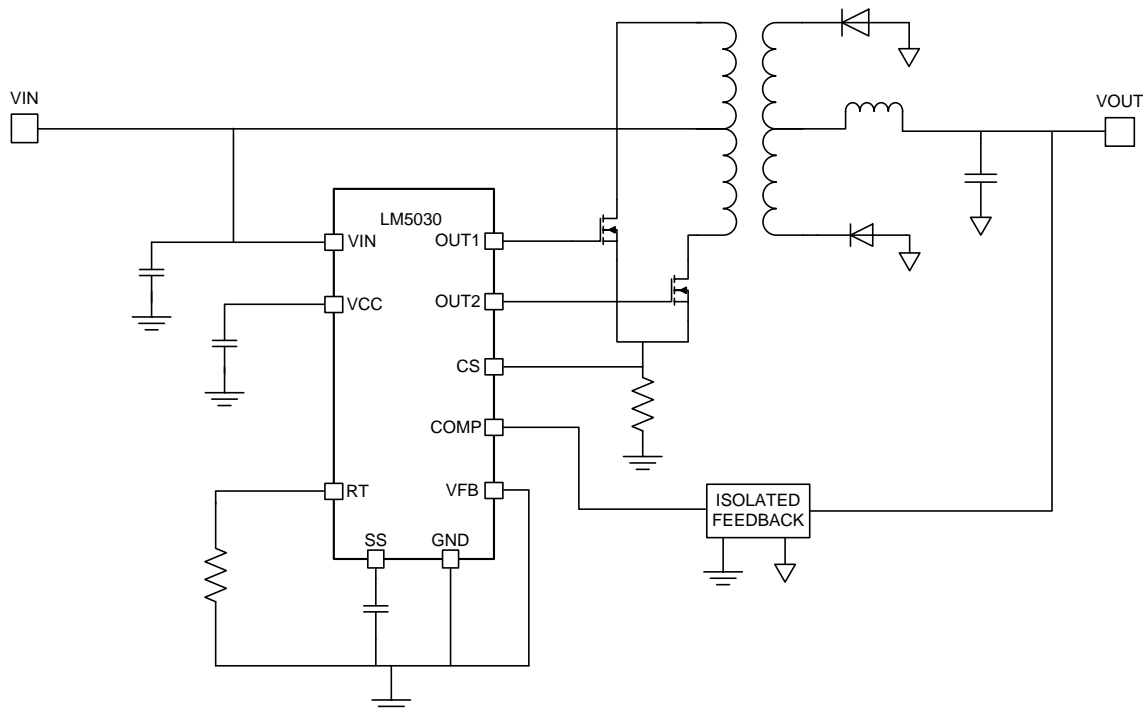


Table of Contents

1 Features	1	7.4 Device Functional Modes.....	13
2 Applications	1	8 Application and Implementation	14
3 Description	1	8.1 Application Information.....	14
4 Revision History	2	8.2 Typical Application	14
5 Pin Configuration and Functions	3	9 Power Supply Recommendations	20
6 Specifications	4	10 Layout	20
6.1 Absolute Maximum Ratings	4	10.1 Layout Guidelines	20
6.2 ESD Ratings.....	4	10.2 Layout Example	20
6.3 Recommended Operating Conditions.....	4	11 Device and Documentation Support	21
6.4 Thermal Information	4	11.1 Device Support.....	21
6.5 Electrical Characteristics.....	5	11.2 Documentation Support	21
6.6 Typical Characteristics.....	8	11.3 Community Resources.....	21
7 Detailed Description	10	11.4 Trademarks	21
7.1 Overview	10	11.5 Electrostatic Discharge Caution.....	21
7.2 Functional Block Diagram	10	11.6 Glossary	21
7.3 Feature Description.....	11	12 Mechanical, Packaging, and Orderable Information	21

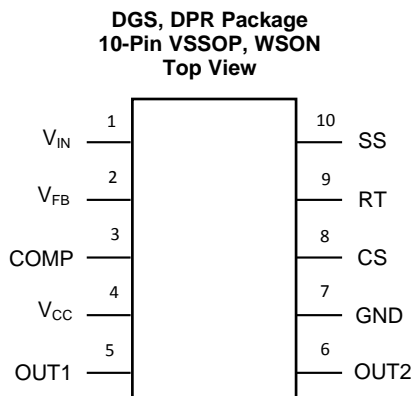
4 Revision History

NOTE: Page numbers for previous revisions may differ from page numbers in the current version.

Changes from Revision C (March 2013) to Revision D	Page
<ul style="list-style-type: none"> Added <i>ESD Ratings</i> table, <i>Thermal Information</i> table, <i>Feature Description</i> section, <i>Device Functional Modes</i>, <i>Application and Implementation</i> section, <i>Power Supply Recommendations</i> section, <i>Layout</i> section, <i>Device and Documentation Support</i> section, and <i>Mechanical, Packaging, and Orderable Information</i> section..... 	1

Changes from Revision B (March 2013) to Revision C	Page
<ul style="list-style-type: none"> Changed layout of National Data Sheet to TI format 	16

5 Pin Configuration and Functions



Pin Functions

PIN		I/O	DESCRIPTION	APPLICATION INFORMATION
NAME	NO.			
COMP	3	O	Output to the error amplifier	There is an internal 5-kΩ pullup resistor on this pin. The error amplifier provides an active sink.
CS	8	I	Current sense input	Current sense input for current mode control and current limit sensing. Using separate dedicated comparators, if CS exceeds 0.5 V, the outputs will go into cycle-by-cycle current limit. If CS exceeds 0.625 V the outputs will be disabled and a softstart commenced.
GND	7	—	Return	Ground
OUT1	5	O	Output of the PWM controller	Alternating PWM output gate driver
OUT2	6	O	Output of the PWM controller	Alternating PWM output gate driver
RT	9	I	Oscillator timing resistor pin and synchronization input	An external resistor sets the oscillator frequency. This pin will also accept synchronization pulses from an external oscillator.
SS	10	I	Dual purpose soft start and shutdown pin	A 10-μA current source and an external capacitor set the softstart timing length. The controller will enter a low power state if the SS pin is pulled below the typical shutdown threshold of 0.45 V.
V _{IN}	1	I	Source input voltage	Input to start-up regulator. Input range 14 to 100 V.
V _{FB}	2	I	Inverting input to the error amplifier	The non-inverting input is internally connected to a 1.25-V reference.
V _{CC}	4	I/O	Output from the internal high-voltage series pass regulator. The regulation setpoint is 7.7 V.	If an auxiliary winding raises the voltage on this pin above the regulation setpoint, the internal series pass regulator will shutdown, reducing the IC power dissipation.
WSON DAP	SUB	—	Die substrate	The exposed die attach pad on the WSON package should be connected to a PCB thermal pad at ground potential. For additional information on using TI's No Pull Back WSON package, refer to WSON Application Note AN-1187 (SNOA401).

6 Specifications

6.1 Absolute Maximum Ratings

over operating free-air temperature range (unless otherwise noted) ⁽¹⁾

	MIN	MAX	UNIT
V _{IN} to GND (Survival)	–0.3	100	V
V _{CC} to GND (Survival)	–0.3	16	V
RT to GND (Survival)	–0.3	5.5	V
All other pins to GND (Survival)	–0.3	7	V
Power dissipation	Internally Limited		
Lead temperature (soldering 4 seconds)		260	°C
Operating junction temperature		150	°C
Storage temperature, T _{stg}	–55	150	°C

- (1) Stresses beyond those listed under *Absolute Maximum Ratings* may cause permanent damage to the device. These are stress ratings only, which do not imply functional operation of the device at these or any other conditions beyond those indicated under *Recommended Operating Conditions*. Exposure to absolute-maximum-rated conditions for extended periods may affect device reliability.

6.2 ESD Ratings

		VALUE	UNIT
V _(ESD) Electrostatic discharge	Human body model (HBM), per ANSI/ESDA/JEDEC JS-001 ⁽¹⁾	±2000	V
	Machine model (MM)	±200	

- (1) JEDEC document JEP155 states that 500-V HBM allows safe manufacturing with a standard ESD control process.

6.3 Recommended Operating Conditions

over operating free-air temperature range (unless otherwise noted)

	MIN	NOM	MAX	UNIT
V _{IN}	14		90	V
T _J Operating junction temperature	–40		105	°C

6.4 Thermal Information

THERMAL METRIC ⁽¹⁾		LM5030		UNIT
		DGS (VSSOP)	DPR (WSON)	
		10 PINS	10 PINS	
R _{θJA}	Junction-to-ambient thermal resistance	158.8	38.1	°C/W
R _{θJC(top)}	Junction-to-case (top) thermal resistance	53.6	137.1	°C/W
R _{θJB}	Junction-to-board thermal resistance	74.8	15.2	°C/W
Ψ _{JT}	Junction-to-top characterization parameter	5.3	0.4	°C/W
Ψ _{JB}	Junction-to-board characterization parameter	77.6	15.4	°C/W
R _{θJC(bot)}	Junction-to-case (bottom) thermal resistance	—	4.6	°C/W

- (1) For more information about traditional and new thermal metrics, see the *Semiconductor and IC Package Thermal Metrics* application report, [SPRA953](#).

6.5 Electrical Characteristics

Specifications are for $T_J = 25^\circ\text{C}$. Unless otherwise specified: $V_{IN} = 48\text{ V}$, $V_{CC} = 10\text{ V}$, and $R_T = 26.7\text{ k}\Omega$

PARAMETER		TEST CONDITIONS		MIN ⁽¹⁾	TYP ⁽²⁾	MAX ⁽¹⁾	UNIT
START-UP REGULATOR							
$V_{CC\text{Reg}}$ V_{CC} Regulation	Open ckt	$T_J = 25^\circ\text{C}$		7.7			V
		full operating junction temperature range		7.4		8.0	
V_{CC} Current limit	See Figure 2	$T_J = 25^\circ\text{C}$		17			mA
		full operating junction temperature range		10			
$I_{-V_{IN}}$ Start-up regulator leakage (external V_{CC} supply)	$V_{IN} = 90\text{ V}$	$T_J = 25^\circ\text{C}$		150			μA
		full operating junction temperature range				500	
I_{IN} Shutdown current	SS = 0 V, V_{CC} = open	$T_J = 25^\circ\text{C}$		250			μA
		full operating junction temperature range				350	
V_{CC} SUPPLY							
V_{CC} Undervoltage lockout voltage	$T_J = 25^\circ\text{C}$			$V_{CC\text{Reg}} - 100\text{ mV}$			V
		full operating junction temperature range		$V_{CC\text{Reg}} - 300\text{ mV}$			
Undervoltage hysteresis	$T_J = 25^\circ\text{C}$			1.6			V
		full operating junction temperature range		1.2		2.1	
I_{CC} Supply current	$C_{\text{load}} = 0$	$T_J = 25^\circ\text{C}$		2			mA
		full operating junction temperature range				3	
ERROR AMPLIFIER							
GBW	Gain bandwidth			4			MHz
	DC gain			75			dB
Input voltage	$V_{FB} = \text{COMP}$	$T_J = 25^\circ\text{C}$		1.245			V
		full operating junction temperature range		1.220		1.270	
COMP sink capability	$V_{FB} = 1.5\text{ V COMP} = 1\text{ V}$	$T_J = 25^\circ\text{C}$		13			mA
		full operating junction temperature range		5			
CURRENT LIMIT							
CS1	Cycle-by-cyble CS threshold voltage	$T_J = 25^\circ\text{C}$		0.5			V
		full operating junction temperature range		0.45		0.55	
CS2	Restart CS threshold voltage	$T_J = 25^\circ\text{C}$		0.625			V
		full operating junction temperature range		0.575		0.675	
	ILIM delay to output	CS step from 0-V to 0.6-V time-to-onset of OUT transition (90%) $C_{\text{load}} = 0$		30			ns
CS sink current (clocked)	CS = 0.3 V	$T_J = 25^\circ\text{C}$		6			mA
		full operating junction temperature range		3			

- (1) Limits are 100% production tested at 25°C . Limits over the operating temperature range are specified through correlation using Statistical Quality Control (SQC) methods. The limits are used to calculate TI's Average Outgoing Quality Level (AOQL).
- (2) Typical numbers represent the most likely parametric norm for 25°C operation.

Electrical Characteristics (continued)

 Specifications are for $T_J = 25^\circ\text{C}$. Unless otherwise specified: $V_{IN} = 48\text{ V}$, $V_{CC} = 10\text{ V}$, and $R_T = 26.7\text{ k}\Omega$

PARAMETER	TEST CONDITIONS		MIN ⁽¹⁾	TYP ⁽²⁾	MAX ⁽¹⁾	UNIT
SOFT START AND SHUTDOWN						
Softstart current source	$T_J = 25^\circ\text{C}$		10		13	μA
	full operating junction temperature range		7			
Softstart to COMP offset	$T_J = 25^\circ\text{C}$		0.5		0.75	V
	full operating junction temperature range		0.25			
Shutdown threshold	$T_J = 25^\circ\text{C}$		0.45		0.7	V
	full operating junction temperature range		0.2			
OSCILLATOR						
Frequency1 (RT = 26.7K)	$T_J = 25^\circ\text{C}$		200		225	kHz
	full operating junction temperature range		175			
Frequency2 (RT = 8.2K)	$T_J = 25^\circ\text{C}$		600		690	kHz
	full operating junction temperature range		510			
Sync threshold	$T_J = 25^\circ\text{C}$		3.2		3.8	V
	full operating junction temperature range					
PWM COMPARATOR						
Delay to output	COMP set to 2-V CS stepped 0 to 0.4 V, time-to-onset of OUT transition low		30			ns
Max duty cycle	Inferred from deadtime	$T_J = 25^\circ\text{C}$	49%			
		full operating junction temperature range	47.5%		50%	
Min duty cycle	COMP = 0 V	full operating junction temperature range			0%	
COMP to PWM comparator gain			0.34			V / V
COMP open circuit voltage	$V_{FB} = 0\text{ V}$	$T_J = 25^\circ\text{C}$	5.2		6.1	V
		full operating junction temperature range	4.3			
COMP short circuit current	$V_{FB} = 0\text{ V}$, COMP = 0 V	$T_J = 25^\circ\text{C}$	1.1		1.5	mA
		full operating junction temperature range	0.6			
SLOPE COMPENSATION						
Slope comp amplitude	Delta increase at PWM Comparator to CS	$T_J = 25^\circ\text{C}$	105		130	mV
		full operating junction temperature range	80			
OUTPUT SECTION						
Deadtime	$C_{load} = 0$, 10% to 10%	$T_J = 25^\circ\text{C}$	135		185	ns
		full operating junction temperature range	85			
Output high saturation	$I_{out} = 50\text{ mA}$, $V_{CC} - V_{OUT}$	$T_J = 25^\circ\text{C}$	0.25		0.75	V
		full operating junction temperature range				
Output low saturation	$I_{OUT} = 100\text{ mA}$	$T_J = 25^\circ\text{C}$	0.25		0.75	V
		full operating junction temperature range				
Rise time	$C_{load} = 1\text{ nF}$			16		ns
Fall time	$C_{load} = 1\text{ nF}$			16		ns

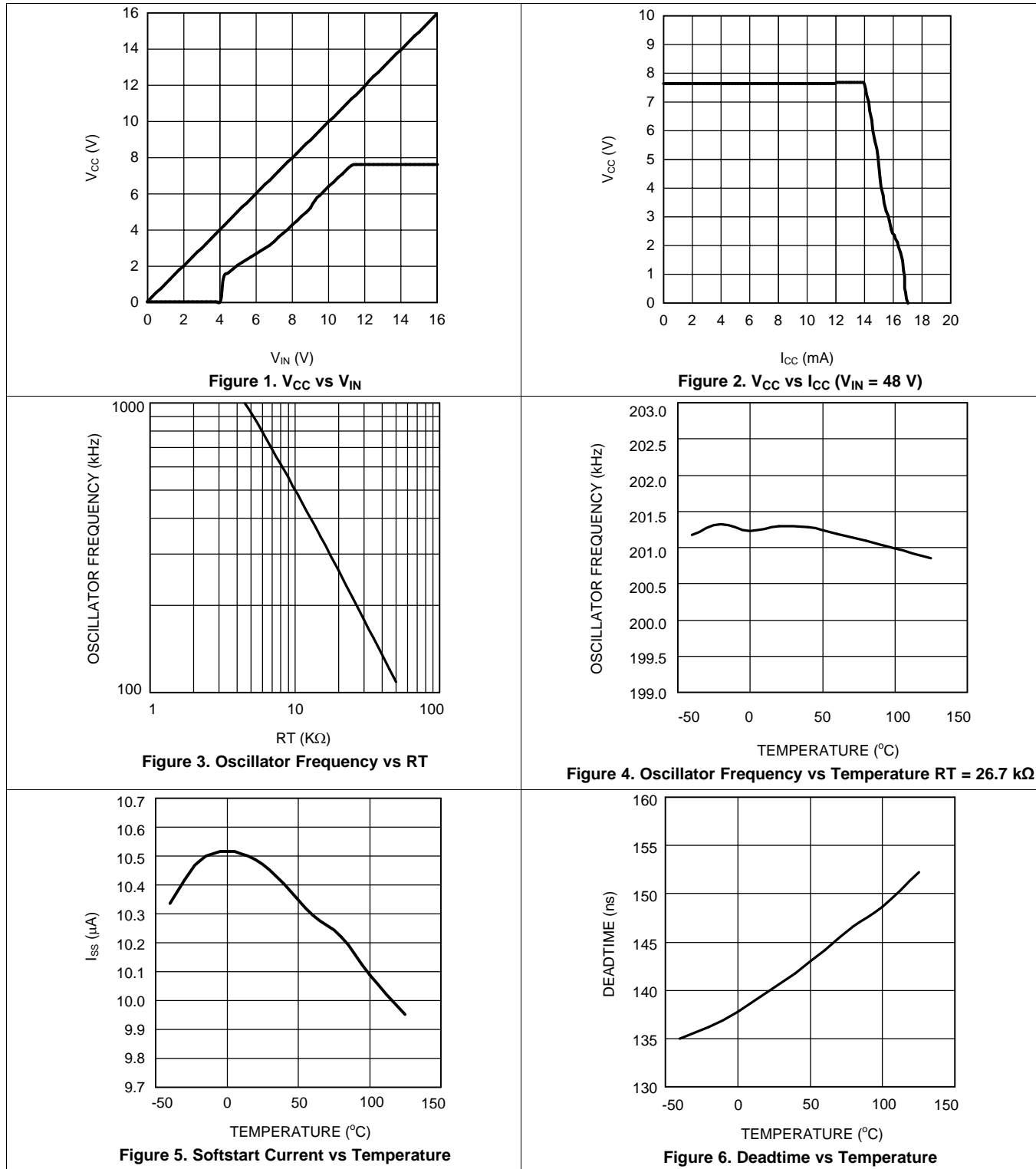
Electrical Characteristics (continued)

Specifications are for $T_J = 25^\circ\text{C}$. Unless otherwise specified: $V_{IN} = 48\text{ V}$, $V_{CC} = 10\text{ V}$, and $R_T = 26.7\text{ k}\Omega$

PARAMETER		TEST CONDITIONS	MIN ⁽¹⁾	TYP ⁽²⁾	MAX ⁽¹⁾	UNIT
THERMAL SHUTDOWN						
T_{sd}	Thermal shutdown temperature			165		$^\circ\text{C}$
	Thermal shutdown hysteresis			15		$^\circ\text{C}$

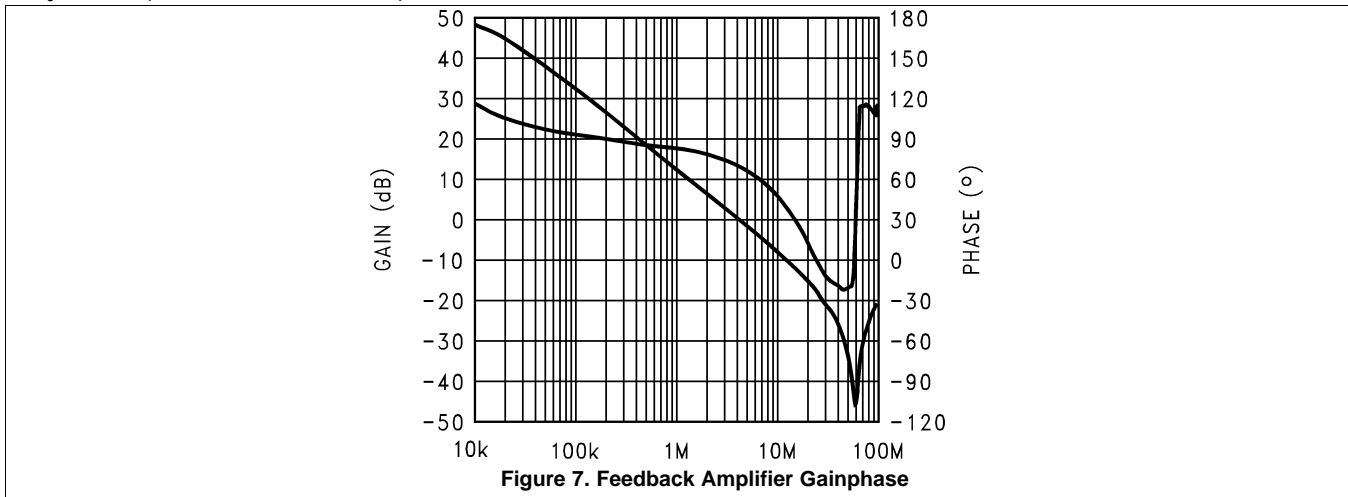
6.6 Typical Characteristics

at $T_J = 25^\circ\text{C}$ (unless otherwise noted)



Typical Characteristics (continued)

at $T_J = 25^\circ\text{C}$ (unless otherwise noted)



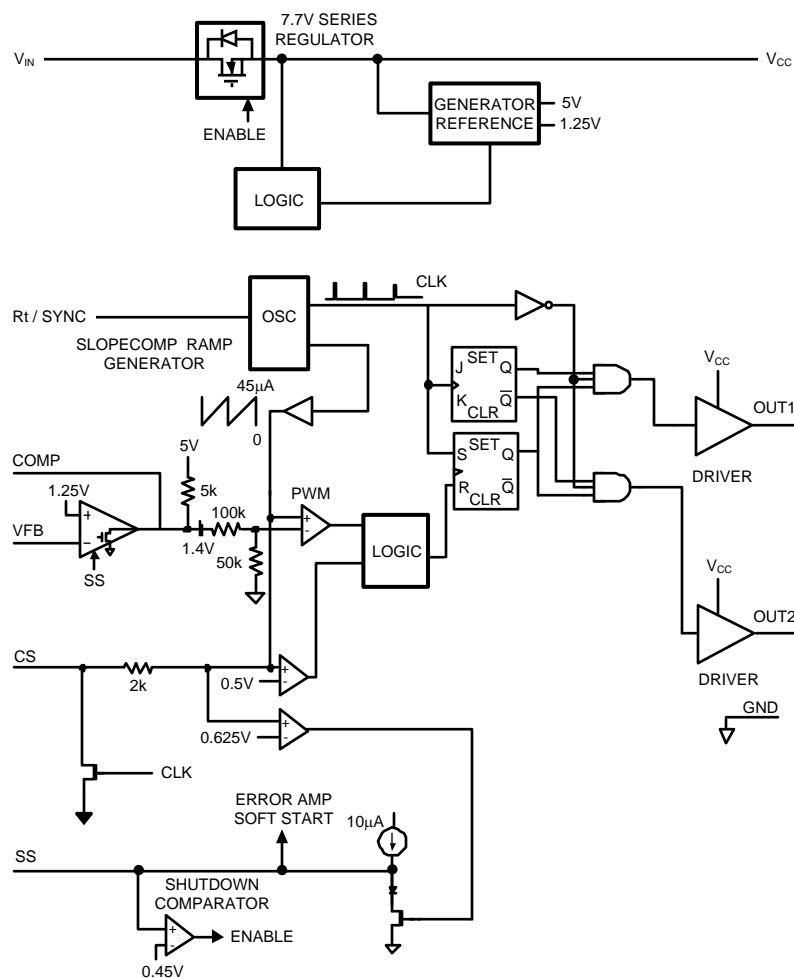
7 Detailed Description

7.1 Overview

The LM5030 high-voltage PWM controller contains all of the features needed to implement push-pull and bridge topologies, using current-mode control in a small 10-pin package. Features included are, start-up regulator, dual mode current limit, dual alternating gate drivers, thermal shutdown, softstart, and slope compensation. This high speed IC has total propagation delays < 100 ns. The functional block diagram of the LM5030 is shown in [Functional Block Diagram](#).

The LM5030 is designed for current-mode control converters that require alternating outputs, such as push-pull and half- and full-bridge topologies. The features included in the LM5030 enable all of the advantages of current-mode control, line feed-forward, cycle-by-cycle current limit, and simplified loop compensation. The oscillator ramp is internally buffered and added to the PWM comparator input to provide the necessary slope compensation for current-mode control at higher duty cycles.

7.2 Functional Block Diagram



7.3 Feature Description

7.3.1 High-Voltage Start-Up Regulator

The LM5030 contains an internal high-voltage start-up regulator. The input pin (V_{IN}) can be connected directly to line voltages as high as 100 V. The regulator output is internally current limited to 10 mA. Upon power up, the regulator is enabled and sources current into an external capacitor connected to the V_{CC} pin. The recommended capacitance range for the V_{CC} regulator is 0.1 μ F to 50 μ F. When the voltage on the V_{CC} pin reaches the regulation point of 7.7 V, the controller outputs are enabled. The outputs will remain enabled unless, V_{CC} falls below 6.1 V or if the SS/SHUTDOWN pin is pulled to ground or an over temperature condition occurs. In typical applications, an auxiliary transformer winding is diode connected to the V_{CC} pin. This winding raises the V_{CC} voltage greater than 8 V, effectively shutting off the internal start-up regulator and saving power while reducing the controller dissipation. The external V_{CC} capacitor must be sized such that the self-bias will maintain a V_{CC} voltage greater than 6.1 V during the initial start-up. During a fault mode when the converter self bias winding is inactive, external current draw on the V_{CC} line should be limited as to not exceed the maximum power dissipation of the controller. An external start-up or other bias rail can be used instead of the internal start-up regulator by connecting the V_{CC} and the V_{in} pins and feeding the external bias voltage (8 V to 15 V) to that node.

7.3.2 Error Amplifier

An internal high gain error amplifier is provided within the LM5030. The noninverting reference of the amplifier is tied to 1.25 V. In nonisolated applications the power converter output is connected to the VFB pin via the voltage setting resistors and loop compensation is connected between the COMP and VFB pins.

For most isolated applications the error amplifier function is implemented on the secondary side ground. Because the internal error amplifier is configured as an open drain output it can be disabled by connecting VFB to ground. The internal 5-k Ω pullup resistor, connected between the 5-V reference and COMP, can be used as the pullup for an optocoupler or other isolation device.

7.3.3 PWM Comparator

The PWM comparator compares the compensated current ramp signal to the loop error voltage from the internal error amplifier (COMP pin). This comparator is optimized for speed in order to achieve minimum discernable duty cycles. The comparator polarity is such that 0 V on the COMP pin will cause a zero duty cycle.

7.3.4 Current Limit and Current Sense

The LM5030 contains two levels of over-current protection. If the voltage on the current sense comparator exceeds 0.5 V the present cycle is terminated (cycle-by-cycle current limit). If the voltage on the current sense comparator exceeds 0.625 V, the controller will terminate the present cycle and discharge the softstart capacitor. A small RC filter, located near the controller, is recommended for the CS pin. An internal MOSFET discharges the current sense filter capacitor at the conclusion of every cycle, to improve dynamic performance.

The LM5030 CS and PWM comparators are very fast, and as such will respond to short duration noise pulses. Layout considerations are critical for the current sense filter and sense resistor. The capacitor associated with the CS filter must be placed very close to the device and connected directly to the pins of the IC (CS and RTN). Also if a current sense transformer is used, both leads of the transformer secondary should be routed to the sense resistor, which should also be located close to the IC. If a current sense resistor located in the drive transistor sources is used, for current sense, a low inductance resistor should be chosen. In this case all of the noise sensitive low power grounds should be commoned together around the IC and then a single connection should be made to the power ground (sense resistor ground point).

The second level threshold is intended to protect the power converter by initiating a low duty cycle hiccup mode when abnormally high, fast rising currents occur. During excessive loading, the first level threshold will always be reached and the output characteristic of the converter will be that of a current source but this sustained current level can cause excessive temperatures in the power train especially the output rectifiers. If the second level threshold is reached, the softstart capacitor will be fully discharged, a retry will commence following the discharge detection. The second level threshold will only be reached when a high dV/dt is present at the current sense pin. The signal must be fast enough to reach the second level threshold before the first threshold detector turns off the driver. This can usually happen for a saturated power inductor or shorted load. Excessive filtering on the CS pin, extremely low value current sense resistor or an inductor that does not saturate with excessive loading may prevent the second level threshold from ever being reached.

Feature Description (continued)

7.3.5 Oscillator, Shutdown and Sync Capability

The LM5030 oscillator is set by a single external resistor connected between the RT pin and return. To set a desired oscillator frequency, the necessary RT resistor can be calculated in [Equation 1](#):

$$RT = \frac{(1/F) - 172 \times 10^{-9}}{182 \times 10^{-12}} \quad (1)$$

Each output switches at half the oscillator frequency in a push-pull configuration. The LM5030 can also be synchronized to an external clock. The external clock must be of higher frequency than the free running frequency set by the RT resistor. The clock signal should be capacitively coupled into the RT pin with a 100-pF capacitor. A peak voltage level greater than 3 V with respect to ground is required for detection of the sync pulse. The sync pulse width should be set in the 15- to 150-ns range by the external components. The RT resistor is always required, whether the oscillator is free running or externally synchronized. The voltage at the RT pin is internally regulated to a nominal 2 V.

Locate the RT resistor close to the device and connected directly to the pins of the IC (RT and GND).

7.3.6 Slope Compensation

The PWM comparator compares the current sense signal to the voltage derived from the COMP pin. The COMP voltage is set by either the internal error amplifier or an external error amplifier through an optocoupler. At duty cycles greater than 50% (composite of alternating outputs) current mode control circuits are prone to subharmonic oscillation. By adding an additional ramp signal to the current sense ramp signal this condition can be avoided. The LM5030 integrates this slope compensation by buffering the internal oscillator ramp and summing it internally to the current sense (CS) signal. Additional slope compensation may be added by increasing the source impedance of the current sense signal.

7.3.7 Soft Start and Shutdown

The soft-start feature allows the converter to gradually reach the initial steady state operating point, thus reducing start-up stresses and surges. An internal 10-μA current source and an external capacitor generate a ramping voltage signal that limits the error amplifier output during start-up. In the event of a second level current limit fault, the soft-start capacitor will be fully discharged which disables the output drivers. When the fault condition is no longer present, the soft-start capacitor is released to ramp and gradually restart the converter. The SS pin can also be used to disable the controller. If the SS pin voltage is pulled down below 0.45 V (nominal) the controller will disable the outputs and enter a low power state.

7.3.8 OUT1, OUT2, and Time Delay

The LM5030 provides two alternating outputs, OUT1 and OUT2. The internal gate drivers can each sink 1.5-A peak each. The maximum duty cycle for each output is inherently limited to less than 50%. The typical deadtime between the falling edge of one gate driver output and the rising edge of the other gate driver output is 135 ns.

7.3.9 Thermal Protection

Internal thermal-shutdown circuitry is provided to protect the integrated circuit in the event the excessive junction temperature. When activated, typically at 165°C, the controller is forced into a low-power reset state, disabling the output drivers and the bias regulator. This feature is provided to prevent catastrophic failures from accidental device overheating.

7.4 Device Functional Modes

The LM5030 is a versatile PWM controller that can be used in the following functional modes:

- The LM5030 provides a complete push-pull current mode controller.
- The LM5030 driver outputs can be configured to drive high side MOSFETs through a gate driver chip to implement half and full bridge topologies.
- The LM5030 can be configured in single ended outputs such as a flyback converter or boost.
- The LM5030 can also operate in conjunction with a high side driver chip to implement a synchronous buck converter.

Details of these circuits can be found in *Versatility of the LM5030 PWM Push-Pull Controller*, [SNVA548](#).

8 Application and Implementation

NOTE

Information in the following applications sections is not part of the TI component specification, and TI does not warrant its accuracy or completeness. TI's customers are responsible for determining suitability of components for their purposes. Customers should validate and test their design implementation to confirm system functionality.

8.1 Application Information

The LM5030 is a highly integrated PWM controller that contains all of the features necessary for implementing push-pull topology power converters. The device targets DC-DC converter applications with input voltages of up to 100 VDC and output power in the range 15 W to 150 W.

8.2 Typical Application

The schematic in [Figure 8](#) shows an example of a 33-W push-pull converter controlled by a LM5030. The operating input range is 36 V to 75 V, and the output voltage is 3.3 V. The output current capability is 10 A. The converter is configured for input current protection with cycle-by-cycle current limit. An auxiliary winding is used to raise the VCC voltage to reduce the controller power dissipation.

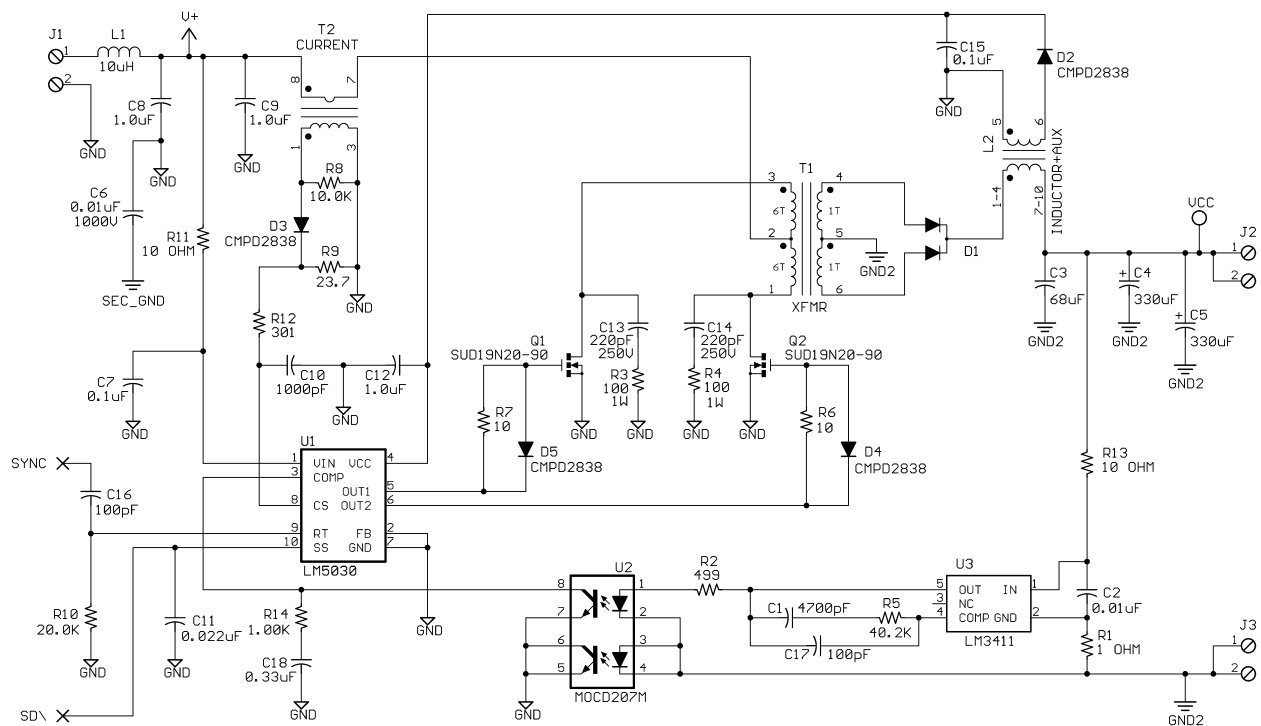


Figure 8. Typical Application Circuit, 36-V to 75-V IN and 3.3-V, 10-A OUT

Typical Application (continued)

8.2.1 Design Requirements

For this design example, use the input parameters listed in [Table 1](#).

Table 1. Design Parameters

PARAMETER	MIN	NOM	MAX	UNIT
Input Voltage	36		75	V
Output Voltage		3.3		V
Output Current	0		10	A
Efficiency (Full Load)		82.5%		
Efficiency (Half Load)		84.5%		
Load Regulation		1%		
Line Regulation		0.15%		
Output Current Limit		11		A

8.2.2 Detailed Design Procedure

8.2.2.1 V_{CC}

While the LM5030 internally generates a voltage at V_{CC} (7.7 V), the internal regulator is used mainly during the start-up sequence. Once the load current begins flowing through L2, which is both an inductor for the output filter and a transformer, a voltage is generated at the secondary of L2, which powers the V_{CC} pin. When the externally applied voltage exceeds the internal value (7.7 V), the internal regulator shuts off, thereby reducing internal power dissipation in the LM5030. L2 is constructed such that the voltage supplied to V_{CC} ranges from approximately 10.6 V to approximately 11.3 V, depending on the load current (see [Figure 9](#)).

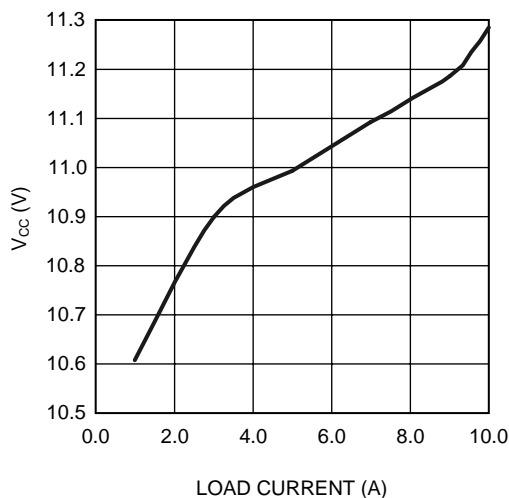
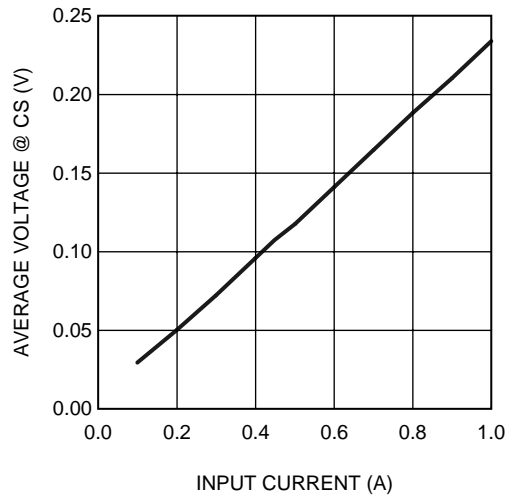


Figure 9. V_{CC} Voltage vs Load Current

8.2.2.2 Current Sense

Monitoring the input current provides a good indication of the operation of the circuit. If an overload condition should exist at the output (a partial overload or a short circuit), the input current would rise above the nominal value shown in [Figure 12](#). Transformer T2, in conjunction with D3, R9, R12 and C10, provides a voltage to pin 8 on the LM5030 (CS) which is representative of the input current flowing through its primary. The average voltage seen at pin 8 is plotted in [Figure 10](#). If the voltage at the first current sense comparator exceeds 0.5 V, the LM5030 disables its outputs, and the circuit enters a cycle-by-cycle current limit mode. If the second level threshold (0.625 V) is exceeded due to a severe overload and transformer saturation, the LM5030 will disable its outputs and initiate a softstart sequence. However, the very short propagation delay of the cycle-by-cycle current limiter (CS1), the design of the CS filter (R9, R12, and C10), and the conservative design of the output inductor (L2), may prevent the second level current threshold from being realized on this evaluation board.


Figure 10. Average Voltage at the CS Pin vs Input Current

8.2.2.3 Shutdown

The Shutdown pad (SD) on the board connects to the SoftStart pin on the LM5030 (pin 10), and permits on/off control of the converter by an external switch. SD should be pulled below 0.45 V, with an open collector or open drain device, to shut down the LM5030 outputs and the VCC regulator. If the voltage at the SD pad is between 1.0 and 1.5 V, a partial-on condition results, which could be disruptive to the system. Therefore, the voltage at the SD pad should transition quickly between its open circuit voltage (4.9 V) and ground.

8.2.2.4 External Sync

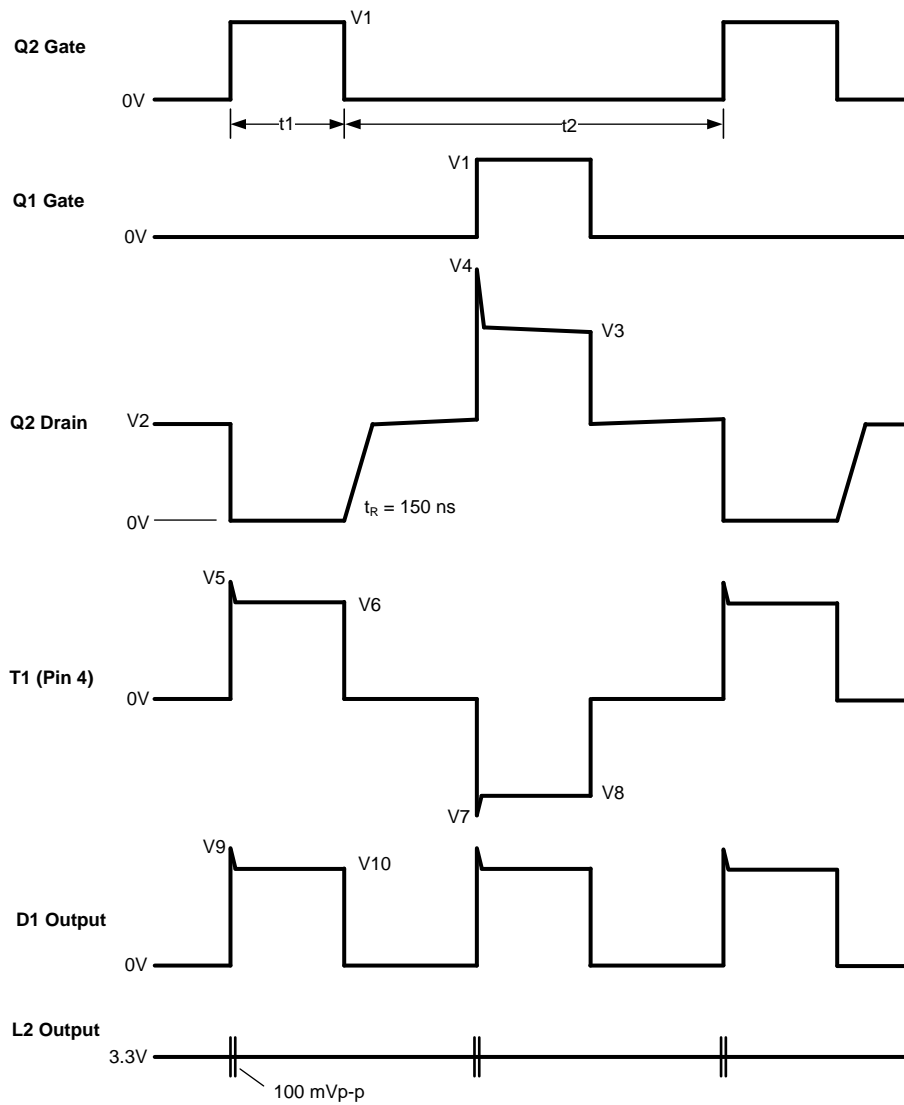
Although the LM5030 includes an internal oscillator, its operating frequency can be synchronized to an external signal if desired. The external source frequency must be higher than the internal frequency set with the RT resistor (262 kHz with $R_T = 20$ k Ω). The sync input pulse width must be between 15 and 150 ns, and have an amplitude of 1.5 to 3.0 V at the Sync pad on the board. The pulses are coupled to the LM5030 through a 100-pF capacitor (C16) as specified in the data sheet.

Table 2. Bill of Materials

ITEM	PART NUMBER	DESCRIPTION	VALUE
C 1	C0805C472K5RAC	Capacitor, CER, KEMET	4700 p, 50 V
C 2	C0805C103K5RAC	Capacitor, CER, KEMET	0.01 μ , 50 V
C 3	C4532X7S0G686M	Capacitor, CER, TDK	68 μ , 4 V
C 4	T520D337M006AS4350	Capacitor, TANT, KEMET	330 μ , 6.3 V
C 5	T520D337M006AS4350	Capacitor, TANT, KEMET	330 μ , 6.3 V
C 6	C4532X7R3A103K	Capacitor, CER, TDK	0.01 μ , 1000 V
C 7	C3216X7R2A104K	Capacitor, CER, TDK	0.1 μ , 100 V
C 8	C4532X7R2A105M	Capacitor, CER, TDK	1 μ , 100 V
C 9	C4532X7R2A105M	Capacitor, CER, TDK	1 μ , 100 V
C 10	C0805C102K1RAC	Capacitor, CER, KEMET	1000 p, 100 V
C 11	C1206C223K5RAC	Capacitor, CER, KEMET	0.022 μ , 50 V
C 12	C3216X7R1E105M	Capacitor, CER, TDK	1 μ , 25 V
C 13	C3216COG2J221J	Capacitor, CER, TDK	220 p, 630 V
C 14	C3216COG2J221J	Capacitor, CER, TDK	220 p, 630 V
C 15	C1206C104K5RAC	Capacitor, CER, KEMET	0.1 μ , 50 V
C 16	C0805C101J1GAC	Capacitor, CER, KEMET	100 p, 100 V
C 17	C0805C101J1GAC	Capacitor, CER, KEMET	100 p, 100 V
C 18	C3216X7R1H334K	Capacitor, CER, TDK	0.33 μ , 50 μ

Table 2. Bill of Materials (continued)

ITEM		PART NUMBER	DESCRIPTION	VALUE
D	1	MBRB3030CTL	Diode, Schottky, ON	
D	2	CMPD2838-NSA	Diode, Signal, Central	
D	3	CMPD2838-NSA	Diode, Signal, Central	
D	4	CMPD2838-NSA	Diode, Signal, Central	
D	5	CMPD2838-NSA	Diode, Signal, Central	
L	1	MSS6132-103	Input Choke, Coilcraft	10 μ H, 1.5 A
L	2	A9785-B	Output Choke, Coilcraft	7 μ H
R	1	CRCW12061R00F	Resistor	1
R	2	CRCW12064990F	Resistor	499
R	3	CRCW2512101J	Resistor	100, 1 W
R	4	CRCW2512101J	Resistor	100, 1 W
R	5	CRCW12064022F	Resistor	40.2K
R	6	CRCW120610R0F	Resistor	10
R	7	CRCW120610R0F	Resistor	10
R	8	CRCW12061002F	Resistor	10K
R	9	CRCW120623R7F	Resistor	23.7
R	10	CRCW12062002F	Resistor	20K
R	11	CRCW120610R0F	Resistor	10
R	12	CRCW12063010F	Resistor	301
R	13	CRCW120610R0F	Resistor	10
R	14	CRCW12061001F	Resistor	1K
TX	1	A9784-B	POWER XFR, COILCRAFT	
TX	2	P8208T	CURRENT XFR, Pulse	100:1
U1	1	LM5030	REGULATOR, TI	
U2	2	MOCD207M	OPTO-COUPLER, QT OPTOELECTRONICS	
U3	3	LM3411AM5-3.3	REFERENCE, TI	
		651-1727010	DUAL TERMINALS, MOUSER	3 per ASSY
X	1	SUD19N20-90	FET, N, 200 V, SILICONIX	
X	2	SUD19N20-90	FET, N, 200 V, SILICONIX	


Figure 11. Representative Waveforms
Table 3. Test Data

V_{IN}	I_{OUT}	t_1	t_2	F_s	V_1	V_2	V_3	V_4	V_5	V_6	V_7	V_8	V_9	V_{10}
36 V	1.0 A	2.2 μ S	5.3 μ S	266.7	10.5 V	36 V	72 V	90 V	10 V	6 V	-10 V	-6 V	10 V	6 V
48 V	10 A	1.9 μ S	5.5 μ S	270.3	11.5 V	48 V	96 V	130 V	18 V	8 V	-18 V	-8 V	13 V	8 V
75 V	1.0 A	1.2 μ S	6.2 μ S	270.3	10.5 V	75 V	150 V	200 V	20 V	13 V	-20 V	-13 V	20 V	13 V

8.2.3 Application Curves

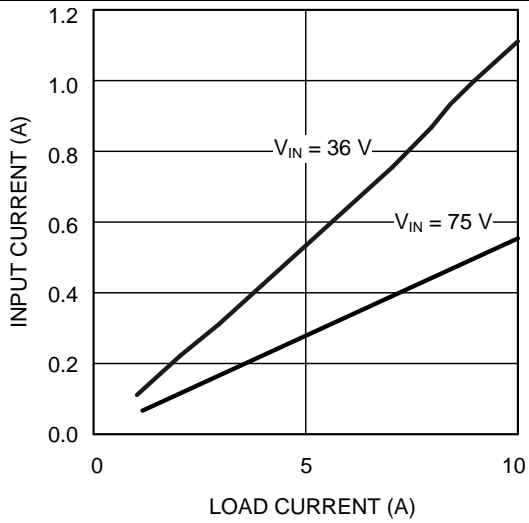


Figure 12. Input Current vs Load Current and V_{IN}

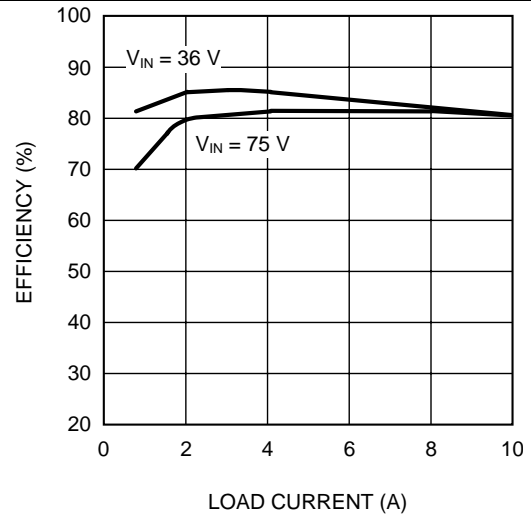


Figure 13. Efficiency vs Load Current and V_{IN}

9 Power Supply Recommendations

The LM5030 can be used as a controller for push-pull, full bridge or half bridge power supplies. Typical applications are for input voltages up to 100 V and output power around 30 W with switching frequency up to 1 MHz.

Care should be taken that components with the correct current rating are chosen. This includes magnetic components, power MOSFETs and diodes, connectors and wire sizes. Input and output capacitors should have the correct ripple current rating.

The VCC pin requires a local decoupling capacitor that is connected to GND. This capacitor ensures stability of the internal regulator from the VIN pin. The decoupling capacitor also provides the current pulses to drive the gates of the external MOSFETs through the driver output pins.

Place the decoupling capacitor close to the VCC and GND pins and track it directly to these pins.

10 Layout

10.1 Layout Guidelines

As in all high frequency switching power supplies, it is important to separate the high current return trace from the low level GND signal of the controller. These signals should be connected together at a single point, usually the negative side of the DC input filter capacitor.

Layout considerations are critical for the current sense filter. If a current sense transformer is used, both leads of the transformer secondary should be routed to the sense filter components and to the device pins. If the current sense circuit employs a sense resistor in the power MOSFET source, a low inductance resistor should be used and all the low current traces should be connected in common near the device with a single connection made to the GND pin.

The gate drive outputs of the device should have short, direct paths to the power MOSFETs in order to minimize inductance in the gate path.

If the internal dissipation of the device produces a high junction temperature during normal operation, the use of multiple vias under the device to a ground plane can help conduct heat away from the device.

10.2 Layout Example

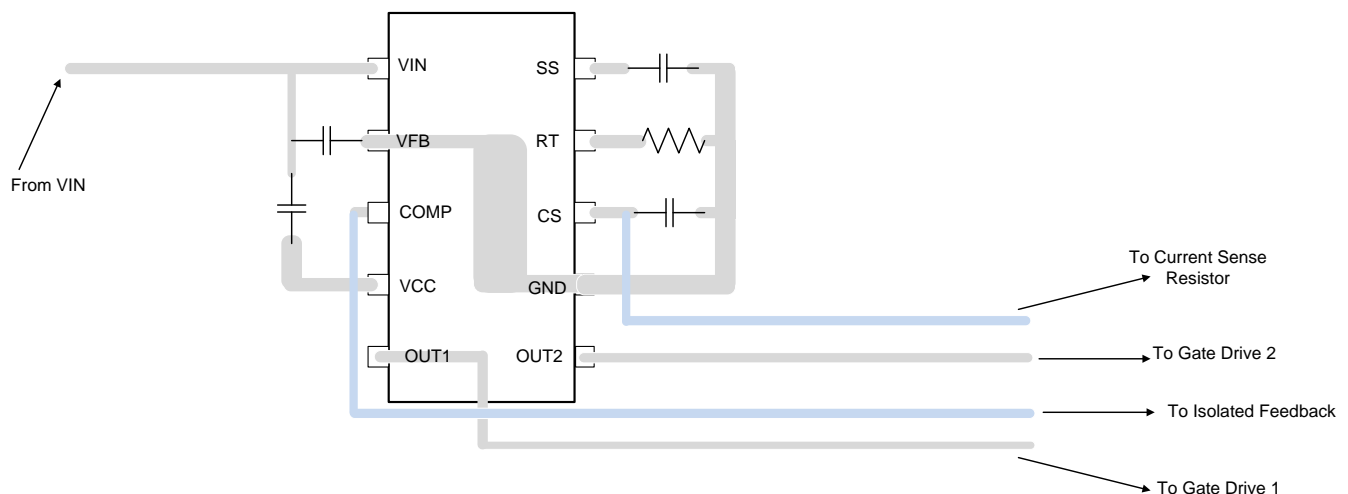


Figure 14. LM5030 Board Layout

11 Device and Documentation Support

11.1 Device Support

11.1.1 Third-Party Products Disclaimer

TI'S PUBLICATION OF INFORMATION REGARDING THIRD-PARTY PRODUCTS OR SERVICES DOES NOT CONSTITUTE AN ENDORSEMENT REGARDING THE SUITABILITY OF SUCH PRODUCTS OR SERVICES OR A WARRANTY, REPRESENTATION OR ENDORSEMENT OF SUCH PRODUCTS OR SERVICES, EITHER ALONE OR IN COMBINATION WITH ANY TI PRODUCT OR SERVICE.

11.2 Documentation Support

11.2.1 Related Documentation

[SNOA401](#): *AN-1187 Leadless Leadframe Package (LLP)*

[SNVA548](#): *Versatility of the LM5030 PWM Push-Pull Controller*

11.3 Community Resources

The following links connect to TI community resources. Linked contents are provided "AS IS" by the respective contributors. They do not constitute TI specifications and do not necessarily reflect TI's views; see TI's [Terms of Use](#).

TI E2E™ Online Community *TI's Engineer-to-Engineer (E2E) Community*. Created to foster collaboration among engineers. At [e2e.ti.com](#), you can ask questions, share knowledge, explore ideas and help solve problems with fellow engineers.

Design Support *TI's Design Support* Quickly find helpful E2E forums along with design support tools and contact information for technical support.

11.4 Trademarks

E2E is a trademark of Texas Instruments.
All other trademarks are the property of their respective owners.

11.5 Electrostatic Discharge Caution



These devices have limited built-in ESD protection. The leads should be shorted together or the device placed in conductive foam during storage or handling to prevent electrostatic damage to the MOS gates.

11.6 Glossary

[SLYZ022](#) — *TI Glossary*.

This glossary lists and explains terms, acronyms, and definitions.

12 Mechanical, Packaging, and Orderable Information

The following pages include mechanical, packaging, and orderable information. This information is the most current data available for the designated devices. This data is subject to change without notice and revision of this document. For browser-based versions of this data sheet, refer to the left-hand navigation.

PACKAGING INFORMATION

Orderable Device	Status (1)	Package Type	Package Drawing	Pins	Package Qty	Eco Plan (2)	Lead finish/ Ball material (6)	MSL Peak Temp (3)	Op Temp (°C)	Device Marking (4/5)	Samples
LM5030MM	NRND	VSSOP	DGS	10	1000	Non-RoHS & Green	Call TI	Call TI	-40 to 125	S73B	
LM5030MM/NOPB	ACTIVE	VSSOP	DGS	10	1000	RoHS & Green	SN	Level-1-260C-UNLIM	-40 to 125	S73B	Samples
LM5030MMX/NOPB	ACTIVE	VSSOP	DGS	10	3500	RoHS & Green	SN	Level-1-260C-UNLIM	-40 to 125	S73B	Samples
LM5030SD/NOPB	ACTIVE	WSON	DPR	10	1000	RoHS & Green	SN	Level-1-260C-UNLIM	-40 to 125	5030SD	Samples

(1) The marketing status values are defined as follows:

ACTIVE: Product device recommended for new designs.

LIFEBUY: TI has announced that the device will be discontinued, and a lifetime-buy period is in effect.

NRND: Not recommended for new designs. Device is in production to support existing customers, but TI does not recommend using this part in a new design.

PREVIEW: Device has been announced but is not in production. Samples may or may not be available.

OBSELETE: TI has discontinued the production of the device.

(2) **RoHS:** TI defines "RoHS" to mean semiconductor products that are compliant with the current EU RoHS requirements for all 10 RoHS substances, including the requirement that RoHS substance do not exceed 0.1% by weight in homogeneous materials. Where designed to be soldered at high temperatures, "RoHS" products are suitable for use in specified lead-free processes. TI may reference these types of products as "Pb-Free".

RoHS Exempt: TI defines "RoHS Exempt" to mean products that contain lead but are compliant with EU RoHS pursuant to a specific EU RoHS exemption.

Green: TI defines "Green" to mean the content of Chlorine (Cl) and Bromine (Br) based flame retardants meet JS709B low halogen requirements of <=1000ppm threshold. Antimony trioxide based flame retardants must also meet the <=1000ppm threshold requirement.

(3) MSL, Peak Temp. - The Moisture Sensitivity Level rating according to the JEDEC industry standard classifications, and peak solder temperature.

(4) There may be additional marking, which relates to the logo, the lot trace code information, or the environmental category on the device.

(5) Multiple Device Markings will be inside parentheses. Only one Device Marking contained in parentheses and separated by a "~" will appear on a device. If a line is indented then it is a continuation of the previous line and the two combined represent the entire Device Marking for that device.

(6) Lead finish/Ball material - Orderable Devices may have multiple material finish options. Finish options are separated by a vertical ruled line. Lead finish/Ball material values may wrap to two lines if the finish value exceeds the maximum column width.

Important Information and Disclaimer:The information provided on this page represents TI's knowledge and belief as of the date that it is provided. TI bases its knowledge and belief on information provided by third parties, and makes no representation or warranty as to the accuracy of such information. Efforts are underway to better integrate information from third parties. TI has taken and

continues to take reasonable steps to provide representative and accurate information but may not have conducted destructive testing or chemical analysis on incoming materials and chemicals. TI and TI suppliers consider certain information to be proprietary, and thus CAS numbers and other limited information may not be available for release.

In no event shall TI's liability arising out of such information exceed the total purchase price of the TI part(s) at issue in this document sold by TI to Customer on an annual basis.

TAPE AND REEL INFORMATION

QUADRANT ASSIGNMENTS FOR PIN 1 ORIENTATION IN TAPE

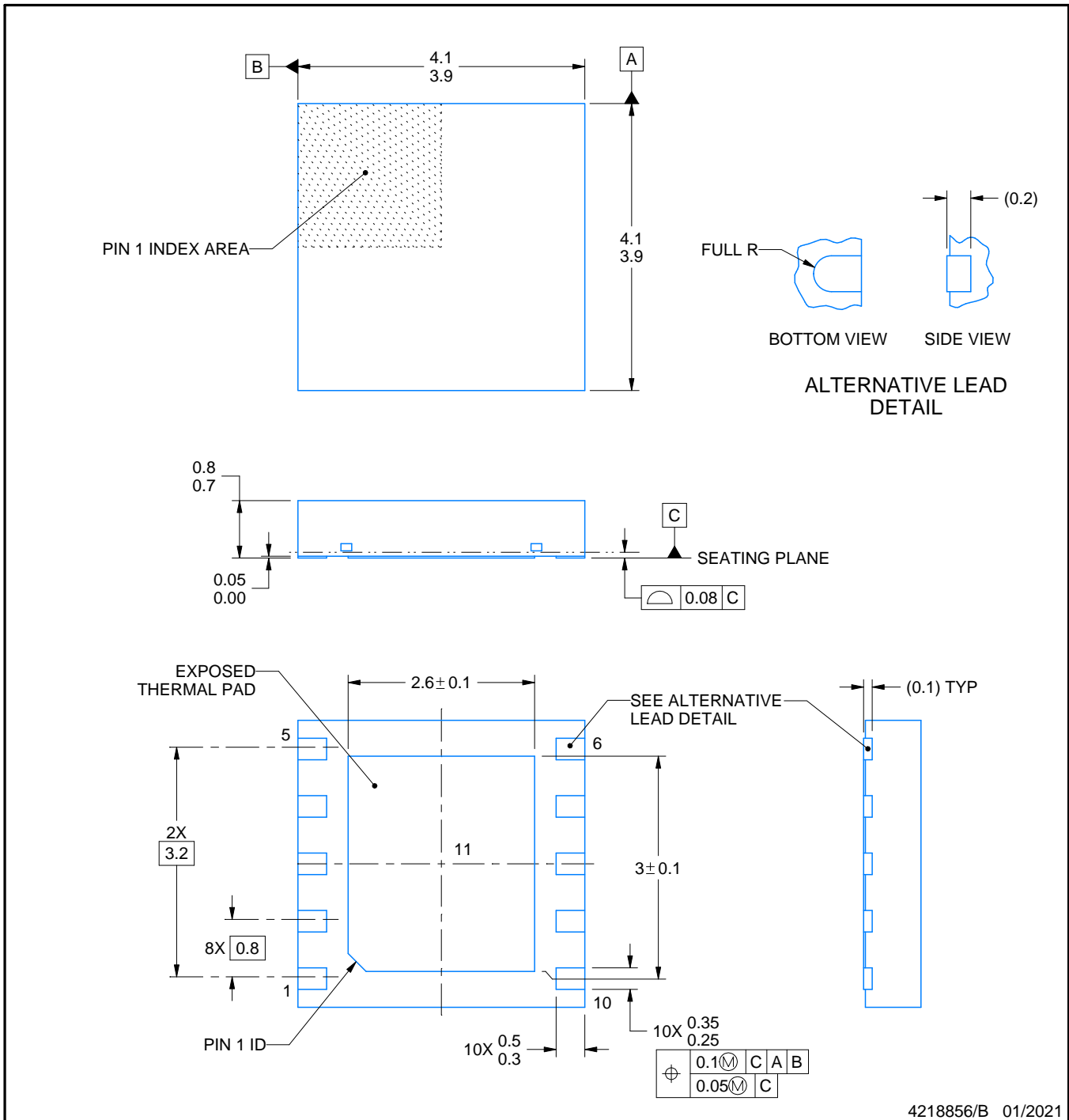
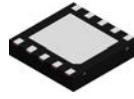

*All dimensions are nominal

Device	Package Type	Package Drawing	Pins	SPQ	Reel Diameter (mm)	Reel Width W1 (mm)	A0 (mm)	B0 (mm)	K0 (mm)	P1 (mm)	W (mm)	Pin1 Quadrant
LM5030MM	VSSOP	DGS	10	1000	178.0	12.4	5.3	3.4	1.4	8.0	12.0	Q1
LM5030MM/NOPB	VSSOP	DGS	10	1000	178.0	12.4	5.3	3.4	1.4	8.0	12.0	Q1
LM5030MMX/NOPB	VSSOP	DGS	10	3500	330.0	12.4	5.3	3.4	1.4	8.0	12.0	Q1
LM5030SD/NOPB	WSOP	DPR	10	1000	178.0	12.4	4.3	4.3	1.3	8.0	12.0	Q1

TAPE AND REEL BOX DIMENSIONS


*All dimensions are nominal

Device	Package Type	Package Drawing	Pins	SPQ	Length (mm)	Width (mm)	Height (mm)
LM5030MM	VSSOP	DGS	10	1000	210.0	185.0	35.0
LM5030MM/NOPB	VSSOP	DGS	10	1000	210.0	185.0	35.0
LM5030MMX/NOPB	VSSOP	DGS	10	3500	367.0	367.0	35.0
LM5030SD/NOPB	WSON	DPR	10	1000	210.0	185.0	35.0



NOTES:

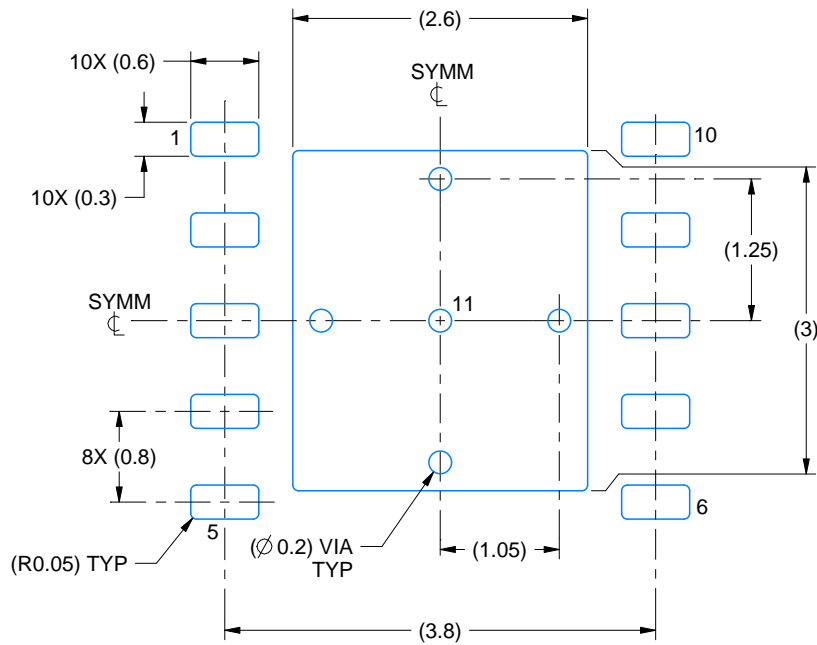
1. All linear dimensions are in millimeters. Any dimensions in parenthesis are for reference only. Dimensioning and tolerancing per ASME Y14.5M.
2. This drawing is subject to change without notice.
3. The package thermal pad must be soldered to the printed circuit board for thermal and mechanical performance.

EXAMPLE BOARD LAYOUT

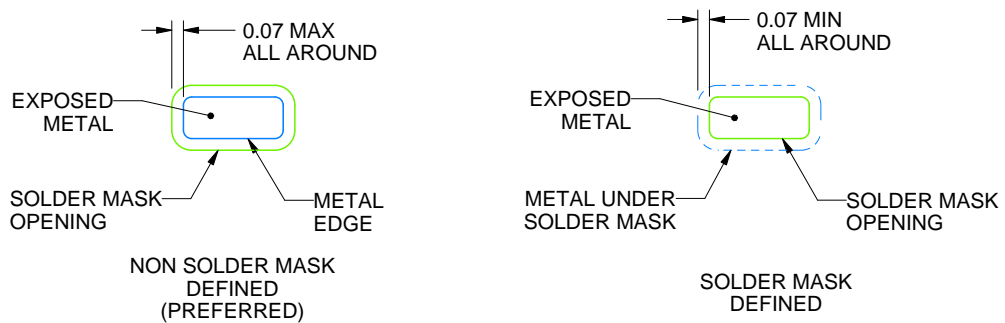
DPR0010A

WSON - 0.8 mm max height

PLASTIC SMALL OUTLINE - NO LEAD



LAND PATTERN EXAMPLE
EXPOSED METAL SHOWN
SCALE:15X



SOLDER MASK DETAILS

4218856/B 01/2021

NOTES: (continued)

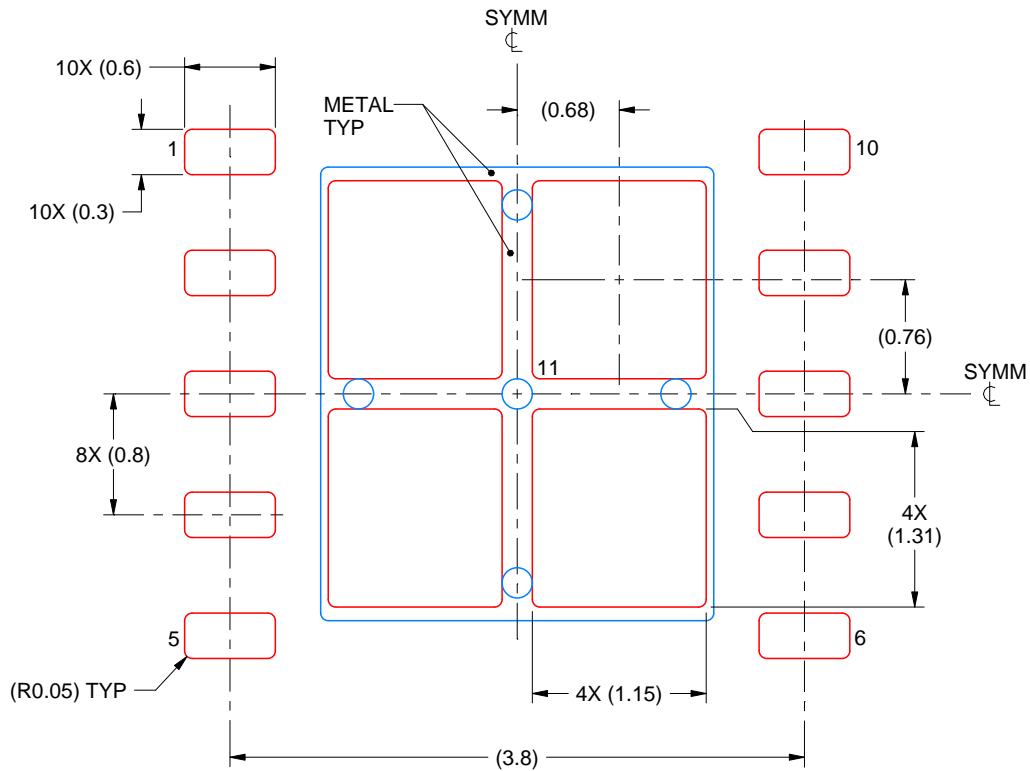
4. This package is designed to be soldered to a thermal pad on the board. For more information, see Texas Instruments literature number SLUA271 (www.ti.com/lit/slua271).

EXAMPLE STENCIL DESIGN

DPR0010A

WSN - 0.8 mm max height

PLASTIC SMALL OUTLINE - NO LEAD



SOLDER PASTE EXAMPLE
BASED ON 0.125 mm THICK STENCIL

EXPOSED PAD 11:
77% PRINTED SOLDER COVERAGE BY AREA
SCALE:20X

4218856/B 01/2021

NOTES: (continued)

5. Laser cutting apertures with trapezoidal walls and rounded corners may offer better paste release. IPC-7525 may have alternate design recommendations.

DGS0010A



PACKAGE OUTLINE

VSSOP - 1.1 mm max height

SMALL OUTLINE PACKAGE



4221984/A 05/2015

NOTES:

1. All linear dimensions are in millimeters. Any dimensions in parenthesis are for reference only. Dimensioning and tolerancing per ASME Y14.5M.
2. This drawing is subject to change without notice.
3. This dimension does not include mold flash, protrusions, or gate burrs. Mold flash, protrusions, or gate burrs shall not exceed 0.15 mm per side.
4. This dimension does not include interlead flash. Interlead flash shall not exceed 0.25 mm per side.
5. Reference JEDEC registration MO-187, variation BA.

EXAMPLE BOARD LAYOUT

DGS0010A

VSSOP - 1.1 mm max height

SMALL OUTLINE PACKAGE



LAND PATTERN EXAMPLE
SCALE:10X



SOLDER MASK DETAILS
NOT TO SCALE

4221984/A 05/2015

NOTES: (continued)

- 6. Publication IPC-7351 may have alternate designs.
- 7. Solder mask tolerances between and around signal pads can vary based on board fabrication site.

EXAMPLE STENCIL DESIGN

DGS0010A

VSSOP - 1.1 mm max height

SMALL OUTLINE PACKAGE



SOLDER PASTE EXAMPLE
BASED ON 0.125 mm THICK STENCIL
SCALE:10X

4221984/A 05/2015

NOTES: (continued)

8. Laser cutting apertures with trapezoidal walls and rounded corners may offer better paste release. IPC-7525 may have alternate design recommendations.
9. Board assembly site may have different recommendations for stencil design.

IMPORTANT NOTICE AND DISCLAIMER

TI PROVIDES TECHNICAL AND RELIABILITY DATA (INCLUDING DATASHEETS), DESIGN RESOURCES (INCLUDING REFERENCE DESIGNS), APPLICATION OR OTHER DESIGN ADVICE, WEB TOOLS, SAFETY INFORMATION, AND OTHER RESOURCES "AS IS" AND WITH ALL FAULTS, AND DISCLAIMS ALL WARRANTIES, EXPRESS AND IMPLIED, INCLUDING WITHOUT LIMITATION ANY IMPLIED WARRANTIES OF MERCHANTABILITY, FITNESS FOR A PARTICULAR PURPOSE OR NON-INFRINGEMENT OF THIRD PARTY INTELLECTUAL PROPERTY RIGHTS.

These resources are intended for skilled developers designing with TI products. You are solely responsible for (1) selecting the appropriate TI products for your application, (2) designing, validating and testing your application, and (3) ensuring your application meets applicable standards, and any other safety, security, or other requirements. These resources are subject to change without notice. TI grants you permission to use these resources only for development of an application that uses the TI products described in the resource. Other reproduction and display of these resources is prohibited. No license is granted to any other TI intellectual property right or to any third party intellectual property right. TI disclaims responsibility for, and you will fully indemnify TI and its representatives against, any claims, damages, costs, losses, and liabilities arising out of your use of these resources.

TI's products are provided subject to TI's Terms of Sale (<https://www.ti.com/legal/termsofsale.html>) or other applicable terms available either on [ti.com](https://www.ti.com) or provided in conjunction with such TI products. TI's provision of these resources does not expand or otherwise alter TI's applicable warranties or warranty disclaimers for TI products.

Mailing Address: Texas Instruments, Post Office Box 655303, Dallas, Texas 75265
Copyright © 2021, Texas Instruments Incorporated