

Rapid Charge™ AC/DC Digital Quasi-Resonant PWM Controller

1.0 Features

- Supports rapid charge technologies such as Qualcomm® Quick Charge™ 2.0 (QC2.0) technology to provide 5V/9V/12V with user-selected various output current limit combinations
- Proprietary secondary-to-primary digital communication and built-in decoder eliminate discrete decoder and significantly simplify system design
- Single opto-coupler for all the rapid charge information: output voltage request, output current limit, output voltage undershoot, and over-voltage protection
- Tight multi-level constant-voltage and multi-level constant-current regulation with primary-side feedback and control
- Ultra-low no-load power consumption with lowest system cost (< 10mW at 230V_{AC} with typical 5V2A setting using Schottky diode rectifier; < 20mW at 230V_{AC} with typical 5V2A setting using synchronous rectifier)
- Fast dynamic load response (DLR) with secondary-side load transient detection
- Proprietary optimized line/load adaptive maximum constant frequency PWM switching with quasi-resonant operation achieves best size, efficiency, and common mode noise
- Multi-mode PWM/PFM control improves efficiency at various load conditions
- User-configurable 5-level cable drop compensation independent of output voltage
- EZ-EMI® design enhances manufacturability
- Built-in single-point fault protections against output short-circuit including soft short and half short, output over-voltage, and output over-current
- SmartDefender™ smart hiccup technology helps address issues of soft shorts in cables and connectors by effectively reducing the average output power at fault conditions without latch
- User-configurable external shutdown control
- No audible noise over entire operating range

2.0 Description

The iW1780 is a high performance AC/DC power supply controller for rapid charge that uses digital control technology to build peak-current mode PWM flyback power supplies. The device operates in quasi-resonant mode to provide high efficiency and a number of key built-in protection features. The iW1780 can achieve tight multi-level constant voltage and multi-level constant current regulation without traditional secondary-feedback circuit. It also eliminates the need for loop compensation components while maintaining stability over all operating conditions.



The iW1780 is optimized to work with Dialog's secondary-side controller for QC 2.0 interface and secondary-primary communication, iW626, to achieve fast and smooth voltage transition upon request by portable devices (PD). When paired with the iW626, the iW1780 eliminates the discrete decoders in the primary side, minimizes the external component count and simplifies system designs. The iW626 can communicate with the iW1780 through one opto-coupler for all the necessary rapid charge information including output voltage requests, output current limits, output voltage undershoot and output over-voltage.

Dialog's innovative proprietary technology ensures that power supplies designed with the iW626 and iW1780 can provide 5V/9V/12V output voltage configuration, with user-selected various output current limit combinations. Furthermore, the chipset can achieve <10mW no-load power consumption at 5V2A output setting and fast dynamic load response in typical AC/DC HVDCP adapter designs.

Applications

- Rapid-charging AC/DC adapters for smart phones, tablets and other portable devices (5V-12V, 1A-3A).



Rapid Charge™ AC/DC Digital Quasi-Resonant PWM Controller

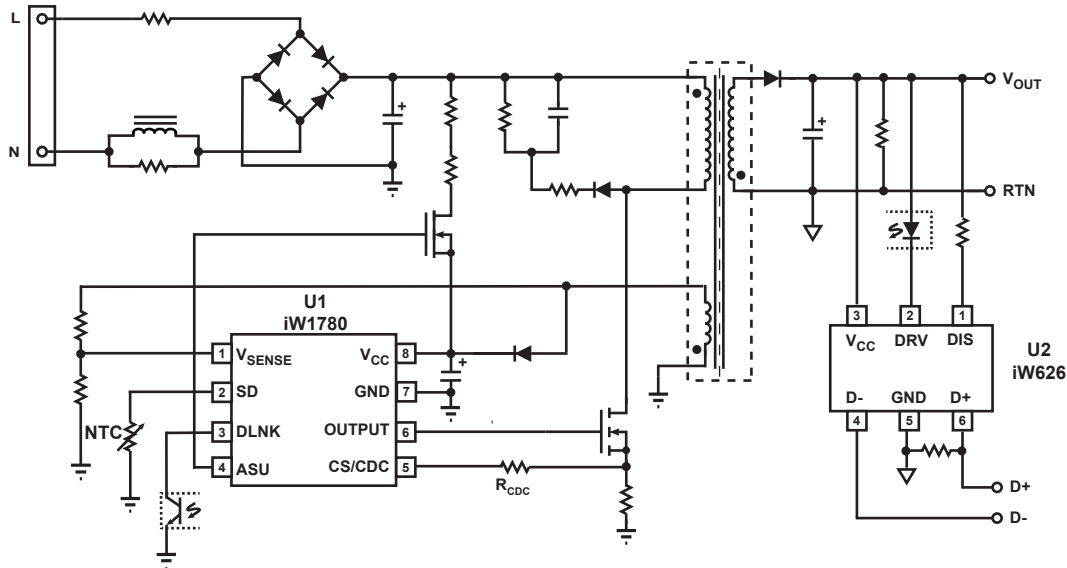


Figure 3.1: iW1780 Typical Application Circuit for Multi-Level Output Voltage and Current (Using iW626 as Secondary-Side Controller for QC2.0. Achieving < 10mW No-Load Power Consumption)

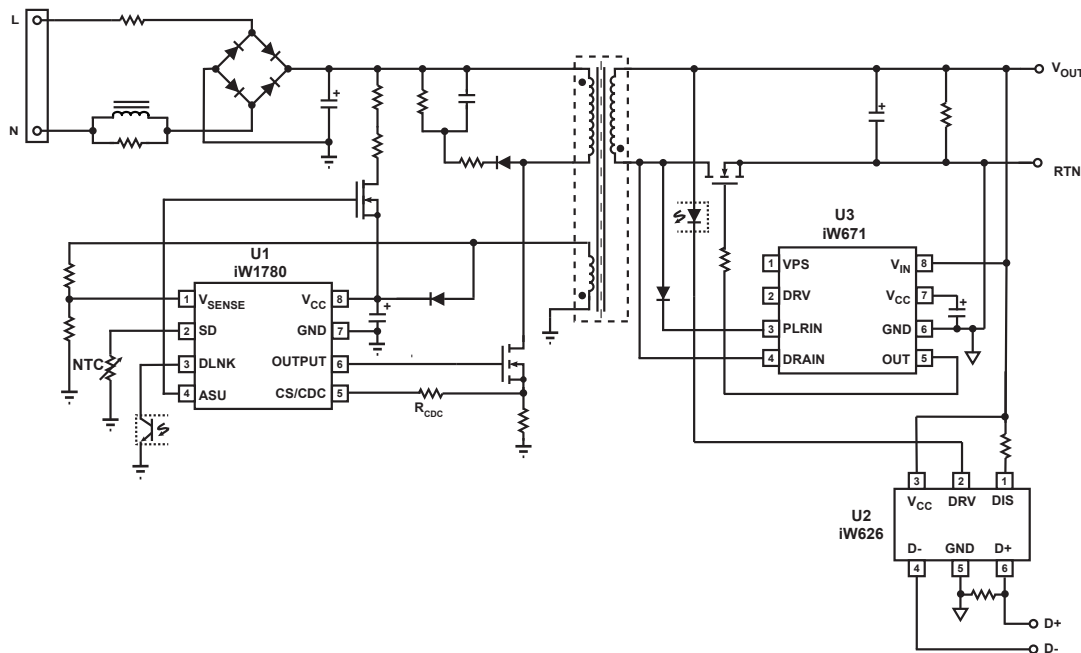


Figure 3.2: iW1780 Typical Application Circuit for Multi-Level Output Voltage and Current (Using iW626 as Secondary-Side Controller for QC2.0 and iW671 as Synchronous Rectifier Controller. Achieving < 20mW No-Load Power Consumption)

Rapid Charge™ AC/DC Digital Quasi-Resonant PWM Controller

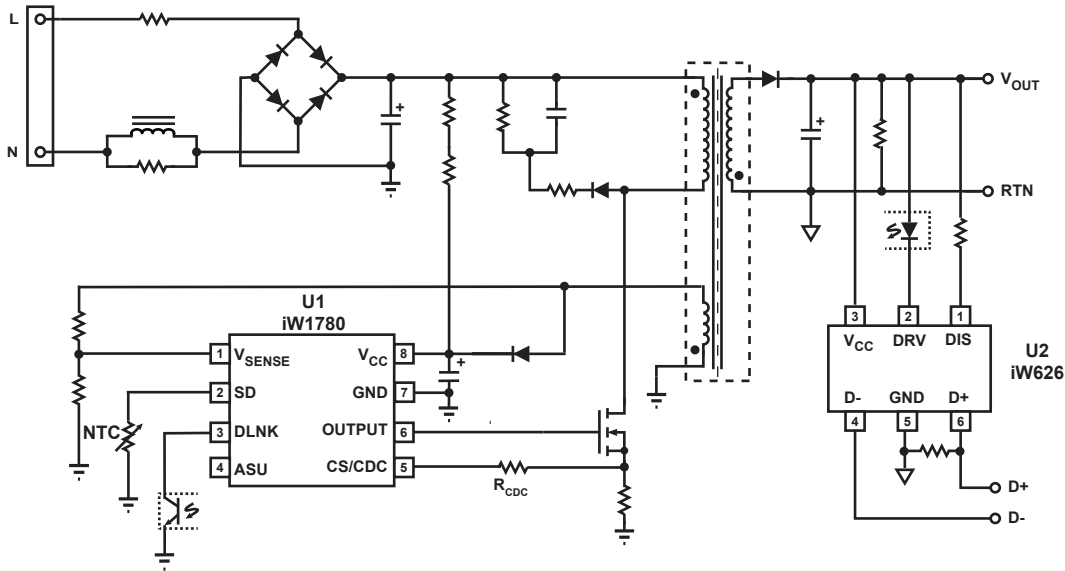
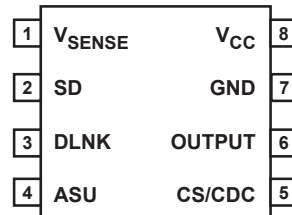


Figure 3.3: iW1780 Typical Low Cost Application Circuit for Multi-Level Output Voltage and Current (Using iW626 as Secondary-Side Controller for QC2.0. Achieving < 50mW No-Load Power Consumption Without Using Active Start-up Device)

3.0 Pinout Description

iW1780



Pin #	Name	Type	Pin Description
1	V _{SENSE}	Analog Input	Auxiliary voltage sense. Used for primary-side regulation.
2	SD	Analog Input	External shutdown control. Can be configured for external over-temperature protection (OTP) by connecting an NTC resistor from this pin to Ground.
3	DLNK	Analog Input	Digital communication link signal. Used for secondary-side to primary-side communication for all rapid change information, which includes output voltage requests, output current limits, output voltage undershoot, and over-voltage protection.
4	ASU	Output	Control signal. Used for active start-up device (BJT or depletion mode N-FET).
5	CS/CDC	Analog Input	Primary-side current sense and external cable drop compensation (CDC). Used for cycle-by-cycle peak-current control and limit in primary-side CV/CC regulation. Also used for CDC configuration.
6	OUTPUT	Output	Gate drive for external MOSFET switch.
7	GND	Ground	Ground.
8	V _{CC}	Power Input	IC power supply.

Rapid Charge™ AC/DC Digital Quasi-Resonant PWM Controller

4.0 Absolute Maximum Ratings

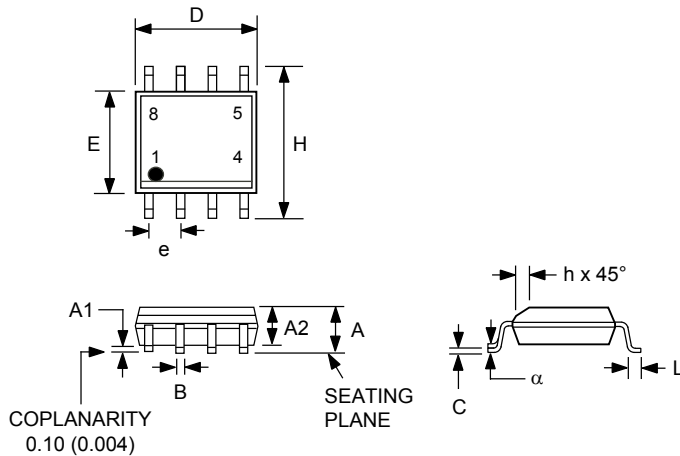
Absolute maximum ratings are the parameter values or ranges which can cause permanent damage if exceeded. For maximum safe operating conditions, refer to the iW1780 datasheet.

Parameter	Symbol	Value	Units
DC supply voltage range (pin 8, $I_{CC} = 20\text{mA}$ max)	V_{CC}	-0.3 to 25.0	V
Continuous DC supply current at V_{CC} pin ($V_{CC} = 15\text{V}$)	I_{CC}	20	mA
ASU output (pin 4)		-0.3 to 19.0	V
OUTPUT (pin 6)		-0.3 to 20.0	V
V_{SENSE} input (pin 1, $I_{Vsense} \leq 10\text{mA}$)		-0.7 to 10.0	V
CS/CDC input (pin 5)		-0.3 to 4.0	V
SD (pin 2)		-0.3 to 4.0	V
DLINK (pin 3)		-0.3 to 4.0	V
Maximum junction temperature	T_{JMAX}	150	°C
Operating junction temperature	T_{JOPT}	-40 to 150	°C
Storage temperature	T_{STG}	-65 to 150	°C
Thermal resistance junction-to-ambient	θ_{JA}	160	°C/W
ESD rating per JEDEC JESD22-A114		$\pm 2,000$	V
Latch-up test per JESD78A		± 100	mA

Rapid Charge™ AC/DC Digital Quasi-Resonant PWM Controller

5.0 Physical Dimensions

8-Lead Small Outline (SOIC) Package



Symbol	Inches		Millimeters	
	MIN	MAX	MIN	MAX
A	0.053	0.069	1.35	1.75
A1	0.0040	0.010	0.10	0.25
A2	0.049	0.059	1.25	1.50
B	0.014	0.019	0.35	0.49
C	0.007	0.010	0.19	0.25
D	0.189	0.197	4.80	5.00
E	0.150	0.157	3.80	4.00
e	0.050 BSC		1.27 BSC	
H	0.228	0.244	5.80	6.20
h	0.10	0.020	0.25	0.50
L	0.016	0.049	0.4	1.25
α	0°	8°		

Compliant to JEDEC Standard MS12F

Controlling dimensions are in inches; millimeter dimensions are for reference only

This product is RoHS compliant and Halide free.

Soldering Temperature Resistance:

[a] Package is IPC/JEDEC Std 020D moisture sensitivity level 1

[b] Package exceeds JEDEC Std No. 22-A111 for solder immersion resistance; package can withstand 10 s immersion < 260°C

Dimension D does not include mold flash, protrusions or gate burrs. Mold flash, protrusions or gate burrs shall not exceed 0.15 mm per end. Dimension E1 does not include interlead flash or protrusion. Interlead flash or protrusion shall not exceed 0.25 mm per side.

The package top may be smaller than the package bottom. Dimensions D and E1 are determined at the outermost extremes of the plastic body exclusive of mold flash, tie bar burrs, gate burrs and interlead flash, but including any mismatch between the top and bottom of the plastic body.

Rapid Charge™ AC/DC Digital Quasi-Resonant PWM Controller

6.0 Ordering Information

Part Number	Options	Package	Description
iW1780-00	For applications with same CC limit for 5V/9V, 3V CC shutdown voltage ¹ for 5V V_{OUT} , no smart hiccup, paired with iW626-02/04	SOIC-8	Tape & Reel ²
iW1780-01	For applications with different CC limits for 5V/9V, 3V CC shutdown voltage ¹ for 5V V_{OUT} , smart hiccup with 2/8 duty cycle, paired with iW626-00	SOIC-8	Tape & Reel ²
iW1780-03	For applications with different CC limits for 5V/9V, 3V CC shutdown voltage ¹ for 5V V_{OUT} , smart hiccup with 2/8 duty cycle, the regulation voltage for 9V/12V V_{OUT} is approximately 2% lower compared with iW1780-01 with the same external circuit, paired with iW626-00	SOIC-8	Tape & Reel ²
iW1780-04	For applications with same CC limits for 5V/9V, 2.7V CC shutdown voltage ¹ for all V_{OUT} , no smart hiccup, paired with iW626-02/04	SOIC-8	Tape & Reel ²
iW1780-06	For applications with same CC limits for 5V/9V, no CC operation, no smart hiccup, paired with iW626-02/04	SOIC-8	Tape & Reel ²
iW1780-07	For applications with same CC limits for 5V/9V, 3.5V CC shutdown voltage ¹ for 5V V_{OUT} , no smart hiccup, paired with iW626-02/04	SOIC-8	Tape & Reel ²
iW1780-09	For applications with same CC limits for 5V/9V, 3V CC shutdown voltage ¹ for 5V V_{OUT} , smart hiccup with 2/8 duty cycle, paired with iW626-02/04	SOIC-8	Tape & Reel ²
iW1780-30	For applications with same CC limit for 5V/9V, 3V CC shutdown voltage ¹ for 5V V_{OUT} , no smart hiccup, paired with iW626-02/04, OVP latch for V_{SENSE} -based OVP and secondary-side-based OVP	SOIC-8	Tape & Reel ²

Notes:

Note 1: Unless specified, the default CC shutdown voltages are 6.5V for 9V V_{OUT} and 10V for 12V V_{OUT} .

Note 2: Tape & Reel packing quantity is 2,500/reel. Minimum ordering quantity is 2,500.

Rapid Charge™ AC/DC Digital Quasi-Resonant PWM Controller

Disclaimer

Information in this document is believed to be accurate and reliable. However, Dialog Semiconductor does not give any representations or warranties, expressed or implied, as to the accuracy or completeness of such information. Dialog Semiconductor furthermore takes no responsibility whatsoever for the content in this document if provided by any information source outside of Dialog Semiconductor.

Dialog Semiconductor reserves the right to change without notice the information published in this document, including without limitation the specification and the design of the related semiconductor products, software and applications.

Applications, software, and semiconductor products described in this document are for illustrative purposes only. Dialog Semiconductor makes no representation or warranty that such applications, software and semiconductor products will be suitable for the specified use without further testing or modification. Unless otherwise agreed in writing, such testing or modification is the sole responsibility of the customer and Dialog Semiconductor excludes all liability in this respect.

Customer notes that nothing in this document may be construed as a license for customer to use the Dialog Semiconductor products, software and applications referred to in this document. Such license must be separately sought by customer with Dialog Semiconductor.

All use of Dialog Semiconductor products, software and applications referred to in this document are subject to Dialog Semiconductor's [Standard Terms and Conditions of Sale](#), unless otherwise stated.

© Dialog Semiconductor (UK) Ltd. All rights reserved.

RoHS compliance

Dialog Semiconductor complies to European Directive 2001/95/EC and from 2 January 2013 onwards to European Directive 2011/65/EU concerning Restriction of Hazardous Substances (RoHS/RoHS2).

Dialog Semiconductor's statement on RoHS can be found on the customer portal <https://support.diasemi.com/>. RoHS certificates from our suppliers are available on request.

Contacting Dialog Semiconductor

United Kingdom

Dialog Semiconductor (UK) Ltd
Phone: +44 1793 757700

Germany

Dialog Semiconductor GmbH
Phone: +49 7021 805-0

The Netherlands

Dialog Semiconductor B.V.
Phone: +31 73 640 88 22

Email

info_pcbg@diasemi.com

North America

Dialog Semiconductor Inc.
Phone: +1 408 845 8500

Japan

Dialog Semiconductor K. K.
Phone: +81 3 5425 4567

Taiwan

Dialog Semiconductor Taiwan
Phone: +886 281 786 222

Web site:

www.dialog-semiconductor.com

Singapore

Dialog Semiconductor Singapore
Phone: +65 648 499 29

Hong Kong

Dialog Semiconductor Hong Kong
Phone: +852 3769 5200

Korea

Dialog Semiconductor Korea
Phone: +82 2 3469 8200

China

*Dialog Semiconductor
(Shenzhen)*
Phone: +86 755 2981 3669

*Dialog Semiconductor
(Shanghai)*
Phone: +86 21 5424 9058