

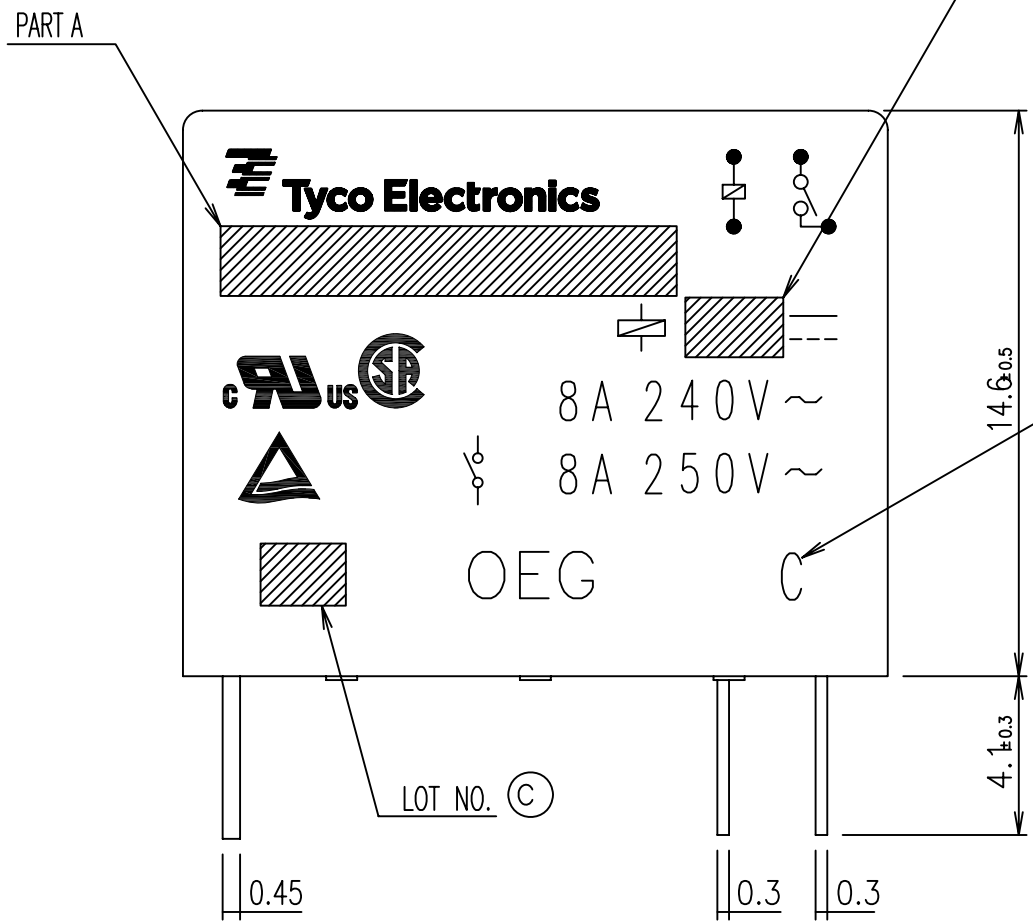
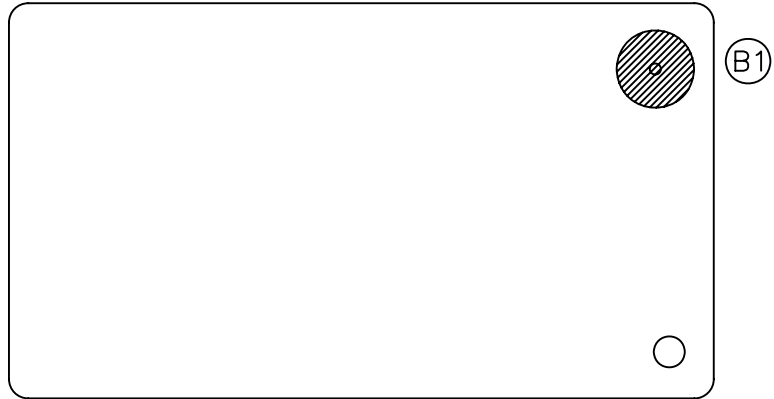
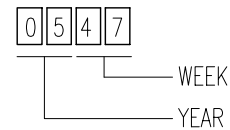
THIS DRAWING IS UNPUBLISHED. RELEASED FOR PUBLICATION  
 © COPYRIGHT BY TYCO ELECTRONICS CORPORATION. ALL RIGHTS RESERVED.

LOC HB DIST

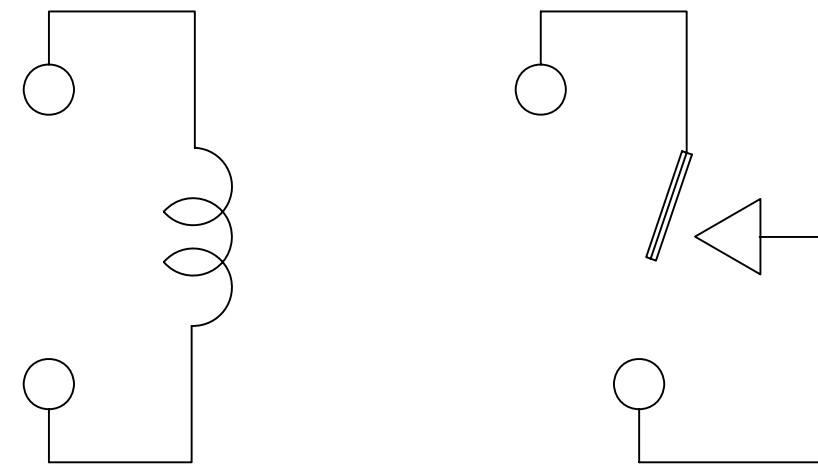
REVISIONS

P	LTR	DESCRIPTION	ECN	DATE	DWN	APVD
	B1	MODIFY ANT HOLE&ADD NOTE	ECO-06-008136	15-FEB-06	JG	HSU
	C	CHANGE TE LOGO & DATE CODE	ECO-08-007851	23-JUN-08	YSH	BH.Y

NOTES:  
 1. LOT NO. SYSTEM AS FOLLOWING:



C:MADE IN CHINA



CONNECTION FIGURE

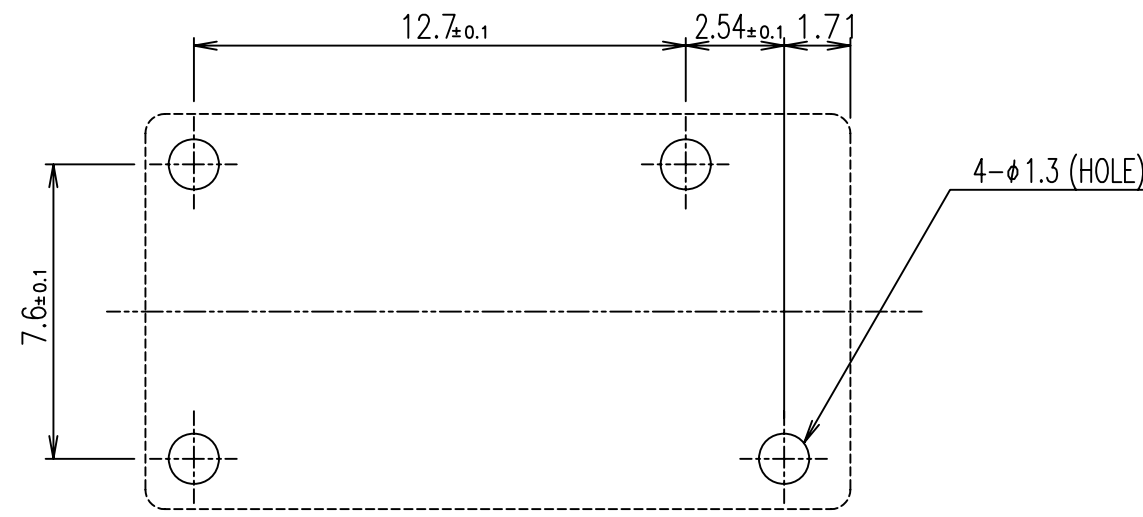
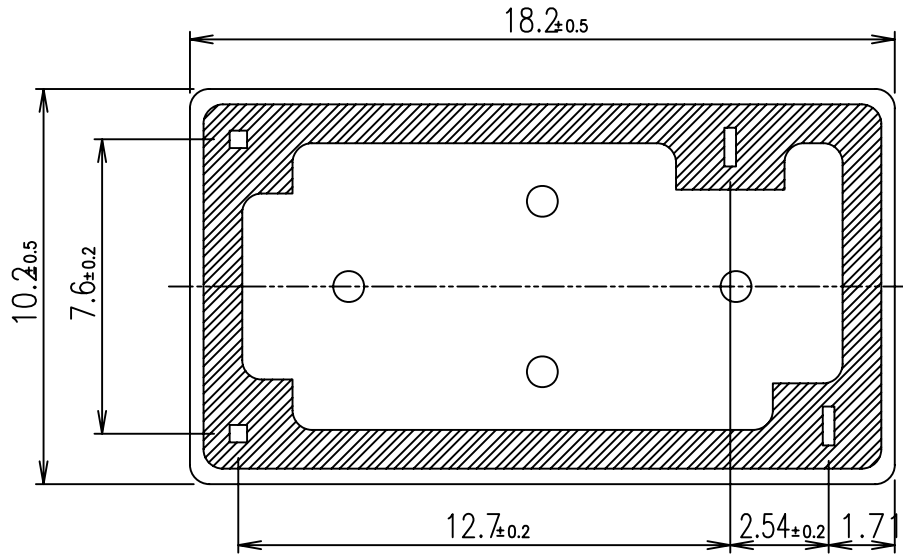


FIGURE FOR PRINTED CIRCUIT BOARD PROCESSING  
 (BOTTOM VIEW)



THIS DRAWING IS A CONTROLLED DOCUMENT FOR TYCO ELECTRONICS CORPORATION IT IS SUBJECT TO CHANGE AND THE CONTROLLING ENGINEERING ORGANIZATION SHOULD BE CONTACTED FOR THE LATEST REVISION.		DWN	H.SASAKI		
DIMENSIONS: mm		CHK	Y.OIKAWA		
TOLERANCES UNLESS OTHERWISE SPECIFIED: 0 PLC ± 1 PLC ± 2 PLC ± 3 PLC ± 4 PLC ± ANGLES ±		APVD	A.NAGAI		
MATERIAL		PRODUCT SPEC	SEE PRODUCT SPEC		
FINISH		APPLICATION SPEC	SEE PRODUCT SPEC		
		WEIGHT	SIZE	CAGE CODE	DRAWING NO
			A3	00779	1461247
		CUSTOMER DRAWING	SCALE	SHEET	REV
			5:1	1 OF 2	C

**Tyco Electronics** Tyco Electronics Corporation  
 Shenzhen, China

OJ-SH-LMH SPEC,000

RESTRICTED TO

THIS DRAWING IS UNPUBLISHED.

RELEASED FOR PUBLICATION

© COPYRIGHT

BY TYCO ELECTRONICS CORPORATION. ALL RIGHTS RESERVED.

LOC  
HB

DIST

REVISIONS  
変更

P	LTR	DESCRIPTION	ECN	DATE	DWN	APVD

(B1)

1461247-3	OJ-SH-124LMH, 000	SEAL UP INSPECTION ON EVERY PRODUCT	108-79075	24V	OJ-SH-124LMH	g
1419129-1	OJ-SH-118LMH, 000	SEAL UP INSPECTION ON EVERY PRODUCT	———	18V	OJ-SH-118LMH	f
9-1419128-8	OJ-SH-112LMH, 000	SEAL UP INSPECTION ON EVERY PRODUCT	108-79074	12V	OJ-SH-112LMH	e
1461247-2	OJ-SH-109LMH, 000	SEAL UP INSPECTION ON EVERY PRODUCT	108-79073	9V	OJ-SH-109LMH	d
1461247-1	OJ-SH-106LMH, 000	SEAL UP INSPECTION ON EVERY PRODUCT	108-79072	6V	OJ-SH-106LMH	c
8-1419128-1	OJ-SH-105LMH, 000	SEAL UP INSPECTION ON EVERY PRODUCT	108-79071	5V	OJ-SH-105LMH	b
1461247-4	OJ-SH-103LMH, 000	SEAL UP INSPECTION ON EVERY PRODUCT	108-79070	3V	OJ-SH-103LMH	a
TE PART NO	DESCRIPTION	DESCRIPTION	PRODUCT SPEC	PART B	PART A	TYPE

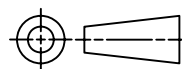
RELAY TYPE

		UV RESIN	SEAL (VENT HOLE)	16
		EPOXY RESIN	SEAL (BASE & BOBBIN)	15
		3UEW	MAGNETIC WIRE	14
94V-0		P.B.T	CASE	13
94V-0		P.B.T	BASE	12
94V-0		P.B.T	BOBBIN	11
	SOLDER DIP	C.P WIRE	COIL TERMINAL	10
94V-0		P.P.S	CARD	9
		Ag ALLOY	MOVABLE CONTACT	8
		Ag ALLOY	NO.CONTACT	7
		STEEL	HINGE SPRING	6
	SOLDER DIP	Cu ALLOY	NO.TERMINAL	5
	SOLDER DIP	Cu ALLOY	MOVABLE SPRING	4
	NIP	STEEL	CORE	3
	NIP	STEEL	ARMATURE	2
	NIP	STEEL	YOKE	1
INCOMBUSTIBILITY	TREATMENT	MATERIAL	DESCRIPTION	ITEM

THIS DRAWING IS A CONTROLLED DOCUMENT FOR TYCO ELECTRONICS CORPORATION IT IS SUBJECT TO CHANGE AND THE CONTROLLING ENGINEERING ORGANIZATION SHOULD BE CONTACTED FOR THE LATEST REVISION.

DIMENSIONS:

mm



TOLERANCES UNLESS OTHERWISE SPECIFIED:

0 PLC	±
1 PLC	±
2 PLC	±
3 PLC	±
4 PLC	±
ANGLES	±

MATERIAL

FINISH

DWN

CHK

APVD

PRODUCT SPEC

APPLICATION SPEC

WEIGHT

CUSTOMER DRAWING



Tyco Electronics Corporation  
Shenzhen, China

NAME

OJ-SH-LMH SPEC,000

SIZE

A3

CAGE CODE

00779

DRAWING NO

C= 1461247

RESTRICTED TO

SCALE

SHEET

2 OF 2

REV

C