

FOX PART NUMBER: 603-25-261

Ceramic, Seam-Sealed, SMD, Crystal



Model: FX325BS Series

RoHS / REACH Compliant / Pb Free

Rev. 10/5/2014

Page 1 of 1

http://www.foxonline.com/need_a_sample.htm

Need a
Sample®

For Use with IDT Part Numbers:			
6V49205B	9FGU0641	9FGV0441	IDT6P41302
9FGU0231	9FGU0831	9FGV0631	IDT6P41322
9FGU0241	9FGU0841	9FGV0641	IDT6V49205A
9FGU0431	9FGV0231	9FGV0831	
9FGU0441	9FGV0241	9FGV0841	
9FGU0631	9FGV0431	IDT5U49319	

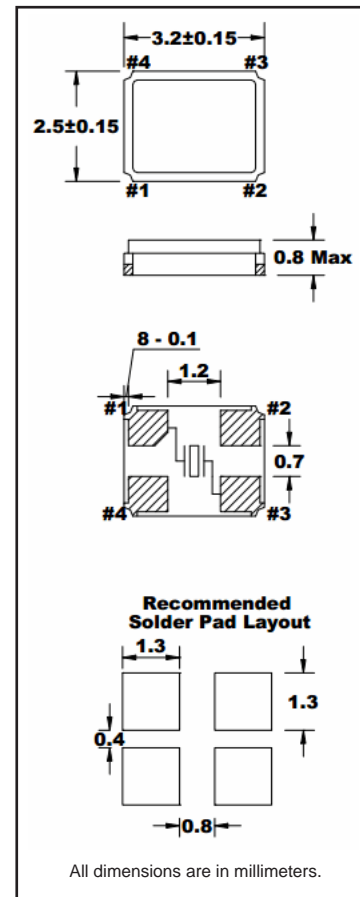
• FOX PART NUMBER: 603-25-261

Part Number	Model Number	Frequency
603-25-261	FX325BS	25.000 MHz

• STANDARD SPECIFICATIONS

PARAMETERS	MAX (unless otherwise noted)
Frequency	25.000 MHz
Resonance Mode	Fundamental
Frequency Tolerance @ 25°C	±20 PPM
Frequency Stability, ref @ 25°C Over Operating Temp Range	±20 PPM
Temperature Range	
Operating (TOPR)	-40°C ~ +85°C
Storage (TSTG)	-40°C ~ +85°C
Equivalent Series Resistance (ESR)	50 Ohms
Shunt Capacitance (Co)	7 pF
Load Capacitance (CL)	8 pF
Drive Level	0.3 mW
Aging per year	±5 PPM
Maximum Soldering Temp / Time	260°C / 10 Seconds
Moisture Sensitivity Level (MSL)	1
Termination Finish	Au
Weight (TYP)	16.75 mg

Note: Dimensional drawing is for reference to critical specifications defined by size measurements. Certain non-critical visual attributes, such as side castellations, etc. may vary. The above specifications, having been carefully prepared and checked, is believed to be accurate at the time of publication; however, no responsibility is assumed by Fox Electronics for inaccuracies. All specifications subject to change without notice.



• TAPE SPECIFICATIONS (millimeters)

MODEL	A	B	C	D	E	F	STD Reel QTY
FX325BS	∅1.5	4.0	4.0	3.5	8.0	1.3	3,000

• REEL SPECIFICATIONS (millimeters)

MODEL	G	H	I	J	K	L	M
FX325BS	2.0	∅13	∅21	∅80	∅180	9.0	2.0

