

SPECIFICATIONS

Mechanical

Contact Retention Force: 0.10kg min.
Durability : 60 Cycles

Electrical

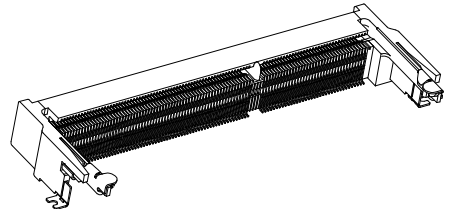
Voltage Rating: 25V
Current Rating: 0.5A
Contact Resistance: 50mΩ max.
Dielectric Withstanding Voltage: 250V AC/1 min.
Insulation Resistance: 100MΩ

Physical

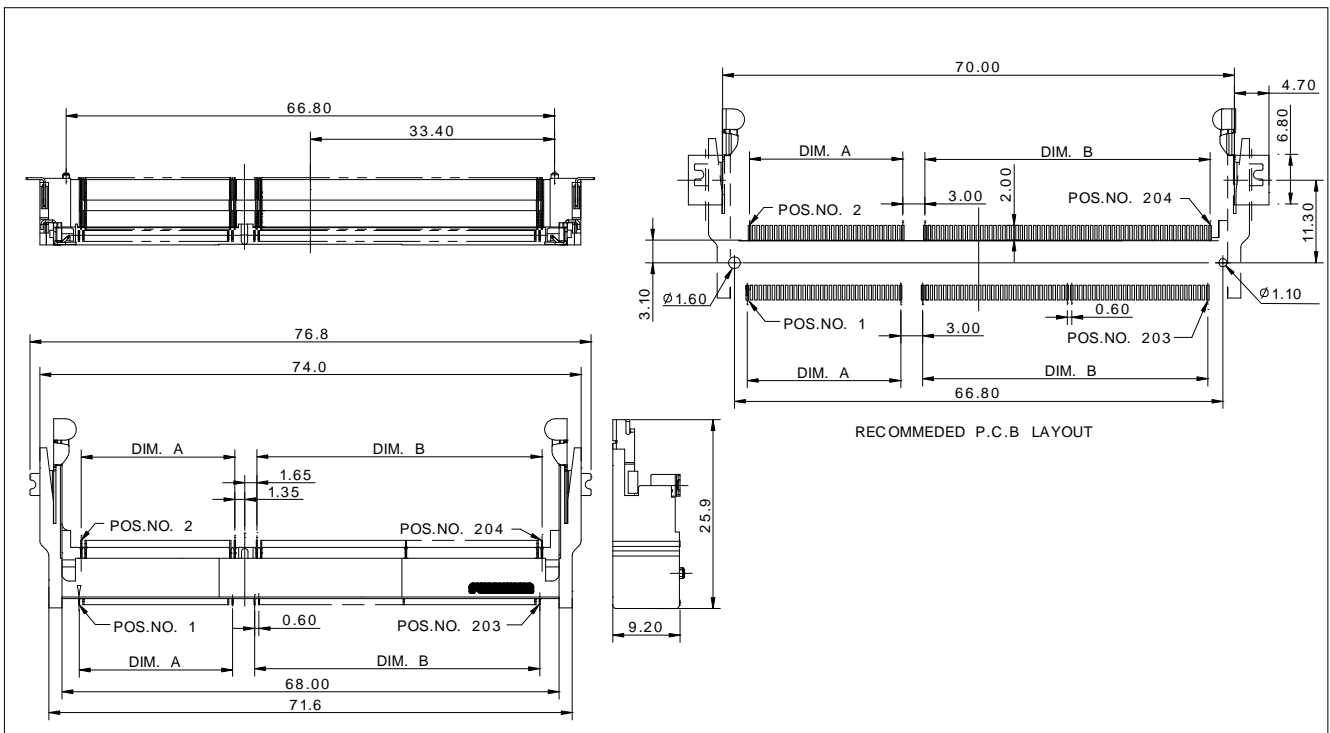
Housing: Thermoplastic, UL 94V-0 rated in Ivory Color
Contact: Copper alloy
Plating: See "ORDERING INFORMATION"
Metal Spring: Copper alloy
Operating Temperature: -55°C to +85°C

DDRIII SO DIMM Socket

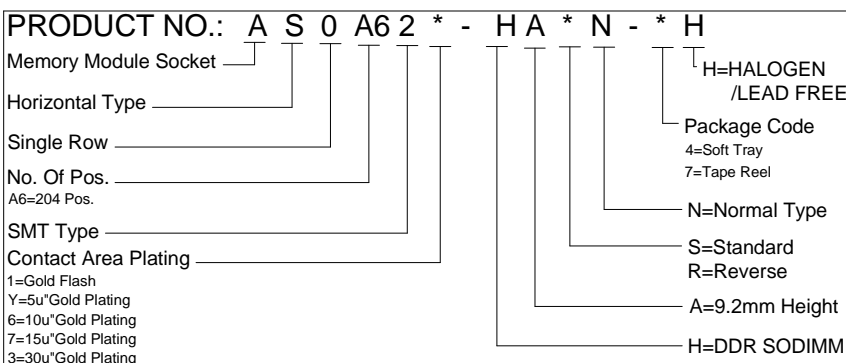
AS Series
9.2mm Height
SMT Type
0.60mm Pitch
204 Pos.



DRAWING



ORDERING INFORMATION



AS0A62* - HASN- *H	21.00	39.00
AS0A62* - HARN- *H	39.00	21.00
P/ N	DIM.A	DIM.B