

**SPECIFICATIONS**

**Mechanical**

**Contact Retention Force:** 0.10kg min.  
**Durability :** 50 Cycles

**Electrical**

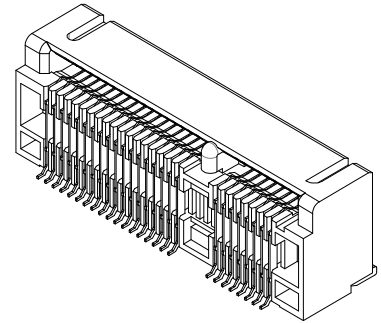
**Voltage Rating:** 50V  
**Current Rating:** 0.5A  
**Contact Resistance:** 55mΩ max.  
**Dielectric Withstanding Voltage:** 300V AC/1 min.  
**Insulation Resistance:** 100MΩ

**Physical**

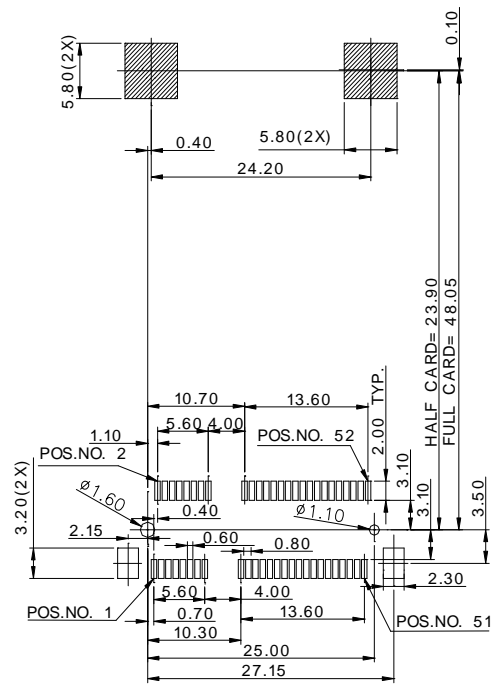
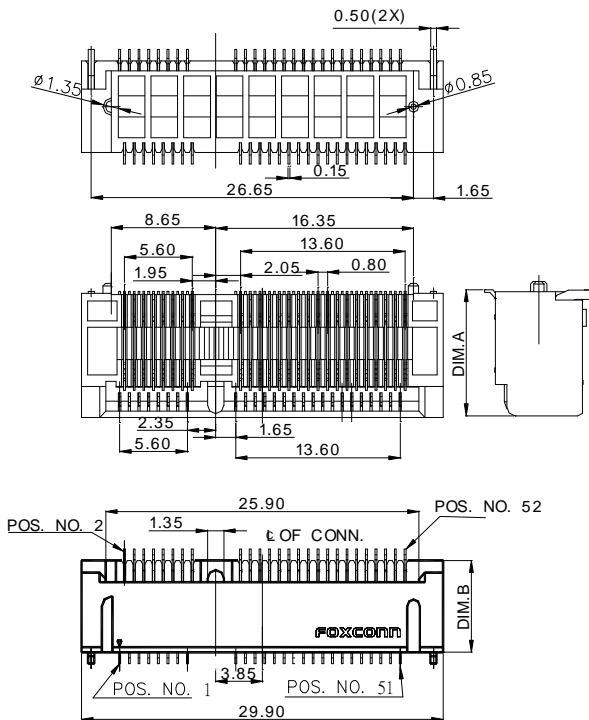
**Housing:** Thermoplastic, UL 94V-0 rated in Ivory Color  
**Contact:** Copper alloy  
**Plating:** See "ORDERING INFORMATION"  
**Metal Spring:** Copper alloy  
**Operating Temperature:** -55°C to +80°C

**MINIPCI EXPRESS Socket**

**AS Series**  
**5.6mm,6.8mm,**  
**7.0mm,8.0mm,9.0mm,**  
**9.2mm,9.9mm Height**  
**SMT Type**  
**0.80mm Pitch**  
**52 Pos.**



**DRAWING**



RECOMMENDED P.C.B. BOARD LAYOUT(THICKNESS=1.0mm)

**ORDERING INFORMATION**

PRODUCT NO.: **A S 0 B 2 2 \* - S \*\* Q - 7 H**

Memory Module Socket ———— H=Halogen/Lead Free  
 Horizontal Type ———— Package Code  
 Single Row ———— 7=Tape Reel  
 No. of Pos. ———— Q=General Type  
 B2=52Pos. ———— Conn.Height  
 SMT Type ———— 56=5.6mm Height  
 Contact Area Plating ———— 68=6.8mm Height  
 1=Gold Flash ———— 70=7.0mm Height  
 6=10u" Gold plating ———— 80=8.0mm Height  
 ———— 90=9.0mm Height  
 ———— 92=9.2mm Height  
 ———— 99=9.9mm Height  
 ———— S=Standard Type

AS0B22*-S99Q-7H	9.9	7.20
AS0B22*-S92Q-7H	9.2	7.20
AS0B22*-S90Q-7H	9.0	7.20
AS0B22*-S80Q-7H	8.0	7.20
AS0B22*-S70Q-7H	7.0	7.20
AS0B22*-S68Q-7H	6.8	7.20
AS0B22*-S56Q-7H	5.6	7.20
AS0B22*-S52Q-7H	5.2	7.35
P/N	DIM. A	DIM. B