

SPECIFICATIONS

DDR3 Connector

Mechanical

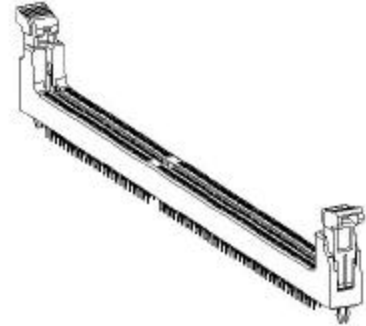
Contact Retention Force: 0.30Kg (0.66Lbs) min. per Contact
Durability: 25 Cycles
Insertion Force: 6.8 Kg (15Lbs)

ATH40 Series

Vertical, T/H Type
1.00mm [.039"] Pitch
240 Pos.

Electrical

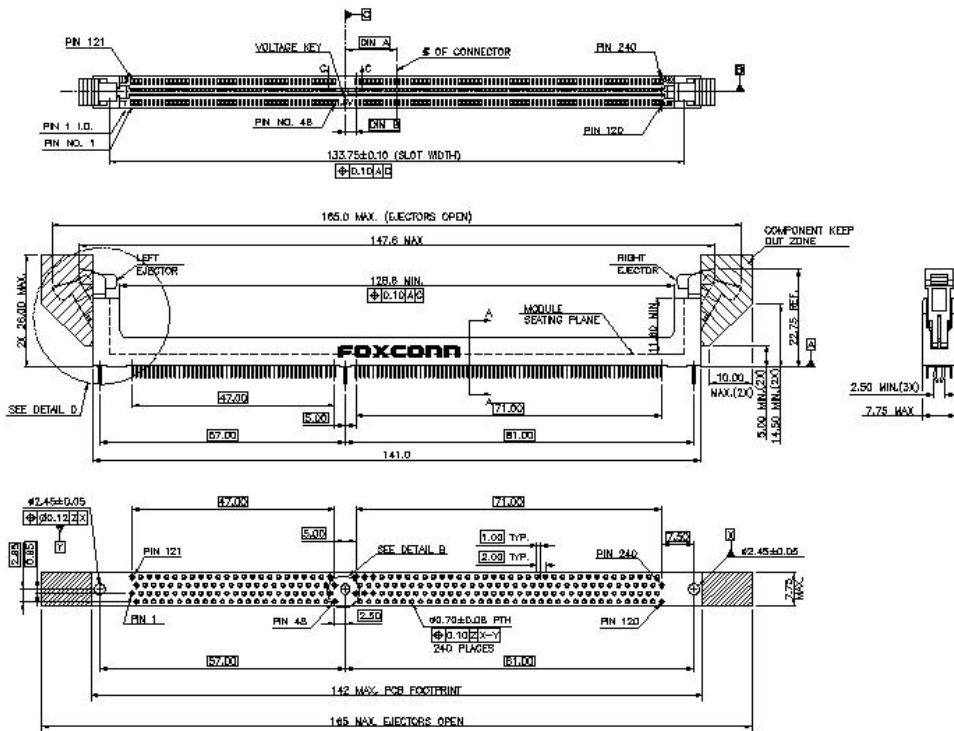
Current Rating: 0.5 Amps max.
Insulation Resistance: 1000 MW min. at 500V DC
Dielectric Withstanding Voltage: 500V DC at Sea Level
Low Level Contact Resistance: 30 mW max. initial



Physical

Housing: Thermoplastic, UL 94V-0 rated in Black Color
Contact: Copper alloy
Ejector: Thermoplastic, UL 94V-0 rated in Ivory or Natural Color
Metal Hold Down: Copper alloy
Operating Temperature: 0 to +85

DRAWING



ORDERING INFORMATION

PRODUCT NO.: A T H 4 0 * * * * * **

Memory Socket: DDR III DIMM
 Vertical 1.00 mm Pitch

NO. OF POS.: 40=240 POS.

TAIL LENGTH:
 0=3.18 MM (.125")
 1=2.87 MM (.105")

Plating Type:
 4F=Lead Free
 RoHS Compliant

Extension Code

Contact Area Gold Plating:
 1=GOLD FLASH
 2=20 u" GOLD
 3=30 u" GOLD
 6=10 u" GOLD
 7=15 u" GOLD

PART NUMBER	NO. OF POSITION	VOLTAGE MARKING	DIM. A	DIM. D	DIM. C CONTACT TAIL	DIM. B METAL BOARD LOCK
ATH401*-H3B-**	240	1.5V	12.00	2.50	2.87 ±0.25 FOR 1.57 (.062") PCB THICKNESS	3.78 ±0.25 FOR 1.57 (.062") PCB THICKNESS
ATH400*-H3B-**	240	1.5V	12.00	2.50	3.18 ±0.25 FOR 2.38 (.094") PCB THICKNESS	4.57 ±0.25 FOR 2.38 (.094") PCB THICKNESS