

SPECIFICATIONS

Mechanical

Contact Retention Force: 1.0Kgf Min.

Electrical

Voltage Rating: 3V DC

Current Rating: 3A

Dielectric Withstanding Voltage: 500 VAC

Insulation Resistance: 1000MΩ min.

Physical

Housing: Thermoplastic, UL 94V-0 Rating in Black Color

Contact: Copper Alloy

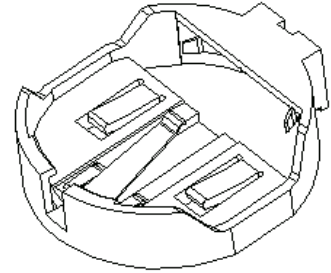
Plating: See "ORDERING INFORMATION"

Operating Temperature: -40°C to +105°C

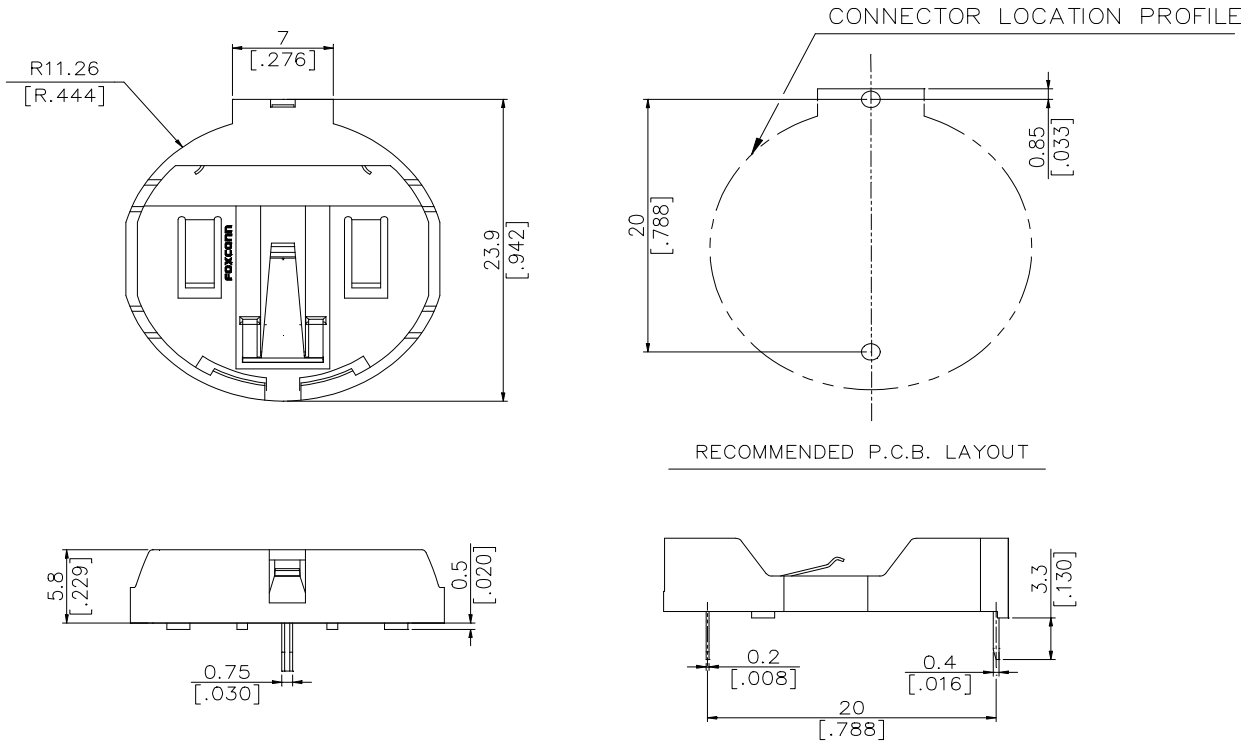
Battery

**BB70 Series
Vertical, T/H Type
Plug**

Battery Holder Socket,



DRAWING



ORDERING INFORMATION

PRODUCT No. : BB70 2 0 * - *

