

SPECIFICATIONS

Mechanical

Mating Force: 4.5Pounds max.
Unmating Force: 4.5Pounds max
Durability: 1000 Cycles

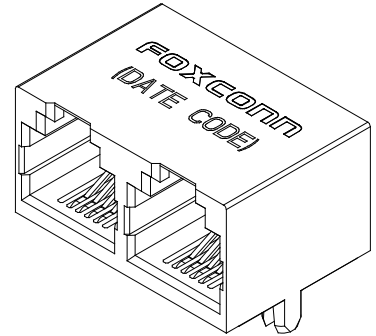
Electrical

Voltage Rating: 150VAC max.
Current Rating: 1.5A max.
Dielectric Withstanding Voltage: 1000V

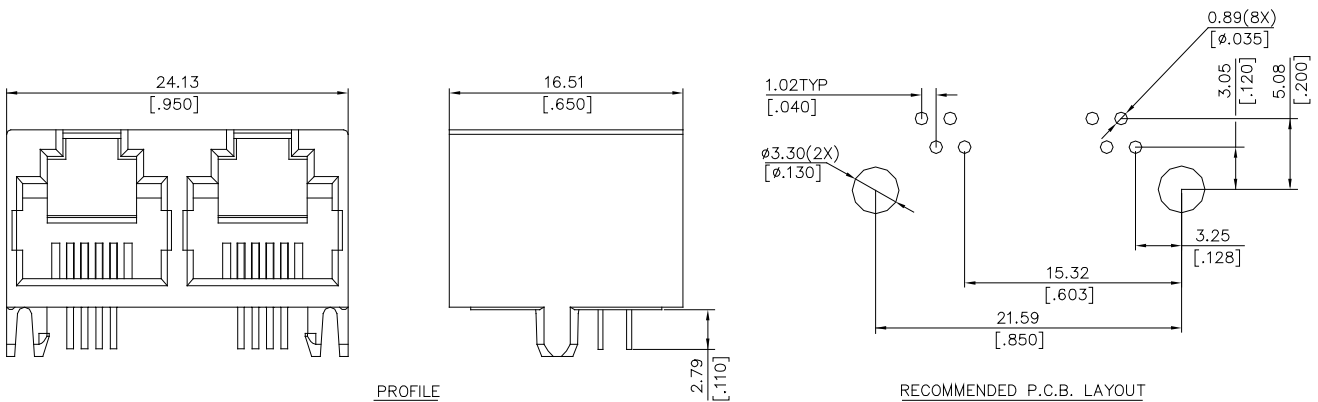
Physical

Housing: Thermoplastic, UL 94V-0 Rated in Black Color
Contact: Phosphor Bronze
Operating Temperature: -40°C to +85°C

JM Series
RJ11 1x2 6P4C
R/A, T/H Type
1.02mm [.040"] Pitch



DRAWING



ORDERING INFORMATION

PRODUCT NO. : J M 1 0 4 2 5 - KH24 - 4 F

SERIES PREFIX:	JM	LEAD FREE CODE	F=LEAD-FREE
JM=MODULAR JACK			
BODY & TERMINATION:	104	PACKAGE TYPE:	4=SOFT TRAY
1=R/A, ALL PLASTIC, T/H		EXTENSION CODE	5=50u" Au
DESIGN TYPE:	2	CONTACT PLATING	5=50u" Au
0=W/O STOPPER, W/ PLASTIC POST		NO. of BODY:	2=2 PORTS
POS. TYPE:	4		
4=6P4C			