

SPECIFICATIONS

Mechanical

Mating Force: 4Pounds Max.
Unmating Force: 4Pounds Max.
Durability: 1000 Cycles

Electrical

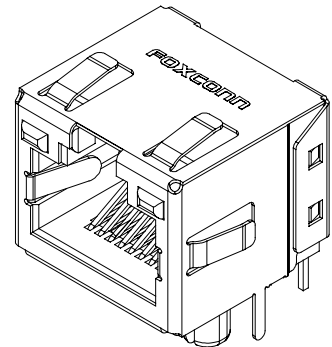
Current Rating: 1.5A Max.
Voltage Rating: 150 VAC
Dielectric Withstanding Voltage: 1000V Contact To Contact
 1500V Contact To Shield

Physical

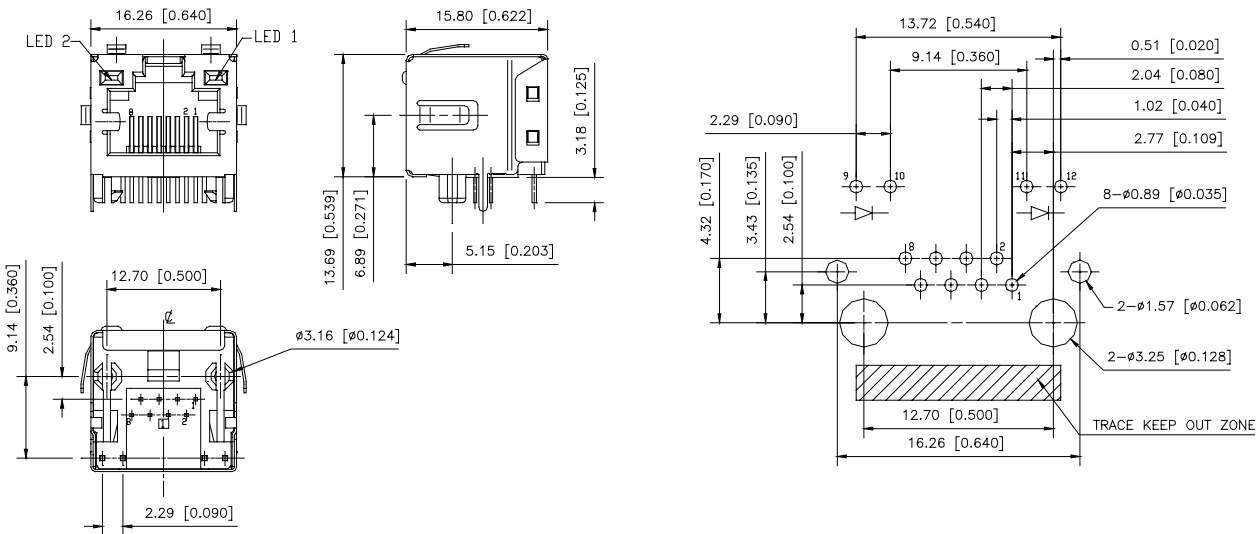
Housing: Thermoplastic, UL 94V-0 Rated In Black Color
Contact: Copper Alloy
Shell: Copper Alloy
Operating Temperature: 0 to +70

JM Series

RJ45 1*1
R/A, T/U, T/H Type
1.02mm [.040"] Pitch



DRAWING



ORDERING INFORMATION

PRODUCT NO.: JM 3 7 1 1 5 - LBFF - 4 F

- F = LEAD FREE
- 4 = PACKAGE TYPE: SOFT TRAY
- FF = EXTENSION DODE
- LB = LED COLOR
YELLOW AND GREEN-ORANGE
- GOLD PLATING THICKNESS
- 5 = 50u"
- 1 = SINGLE PORT
- 1 = 8P8C
- 7 = W/ TOP & SIDE PANEL-GND, W/ BOARD-LOCK
- 3 = R/A, ALL SHIELDED, T/H
- JM = MODULE JACK

P/N	LED 2	LED 1
	9 ϕ ϕ 10	11 ϕ ϕ 12
JM37115-LBFF-4F	YELLOW 	ORANGE
		GREEN