

SPECIFICATIONS

Mechanical

*Insertion Force: 20N max.
 Withdrawal Force: 4N min.
 Durability: 500 Cycles.*

Electrical

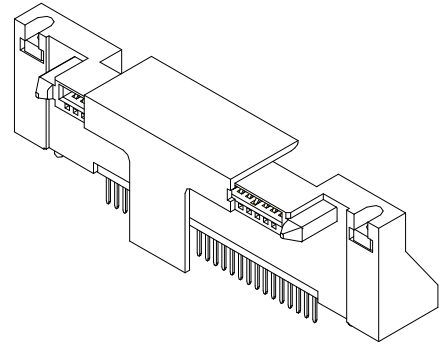
*Voltage Rating: 250V.
 Current Rating: 1.5A per pin min.
 Contact Resistance: 30 mΩ max. Δ15 mΩ max. after stress
 Dielectric Withstanding Voltage: 500V AC.
 Insulation Resistance: 1000MΩ min.*

Physical

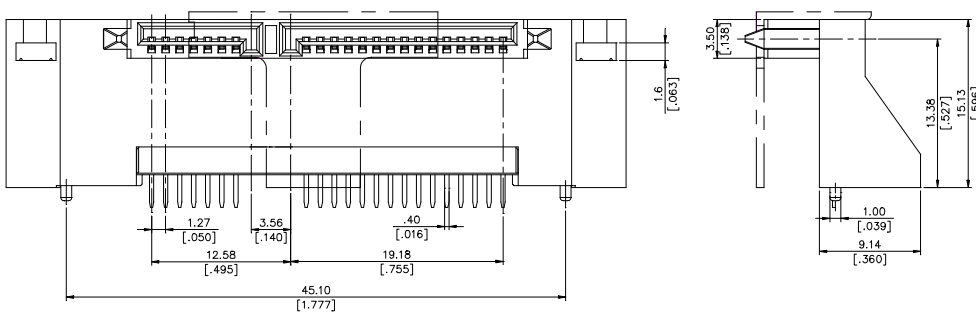
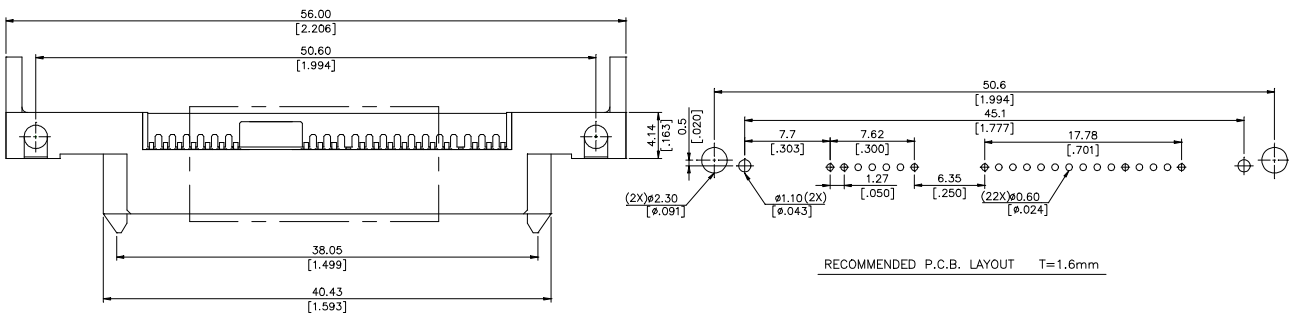
*Housing: Thermoplastic, UL 94V-0 rated in Black Color.
 Contact: Copper alloy
 Plating: See "ORDERING INFORMATION"
 Operating Temperature: -45°C to +85°C*

S-ATA Connector

**LD Series
 R/A ,T/H
 Receptacle
 1.27mm [.050"] Pitch
 22 Pos.**



DRAWING



ORDERING INFORMATION

PRODUCT NO. : LD 2 7 22 * - S 0 B L 7

- S-ATA Series
- Mating End Type
2 = RECEPTACLE
- Mounting End Type
7 = T/H,R/A
- No. of Pos.
22= 22 POS.
- Package Code
- Material Code
- Modification Code
- Normal Type
S-ATA
- Contact Area Plating
F=Gold Flash Plating With RoHS Compliance
H=30u" Gold Plating With RoHS Compliance
V=15u" Gold Plating With RoHS Compliance