

SPECIFICATIONS

HDMI Connector

Mechanical

Mating Force: initial 4.5kgf max.
Unmating Force: initial 1.0~4.0kgf max.
Durability: 10000 cycles.

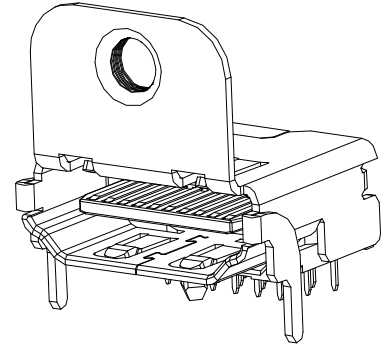
Electrical

Voltage Rating: 40V AC
Current Rating: 0.5A min.
Contact Resistance: Initial excluding conductor resistance
 10mΩ max.
Dielectric Withstanding Voltage: 500V AC (Rms.)
Insulation Resistance: Unmated plug 100MΩ min. at 500V DC.

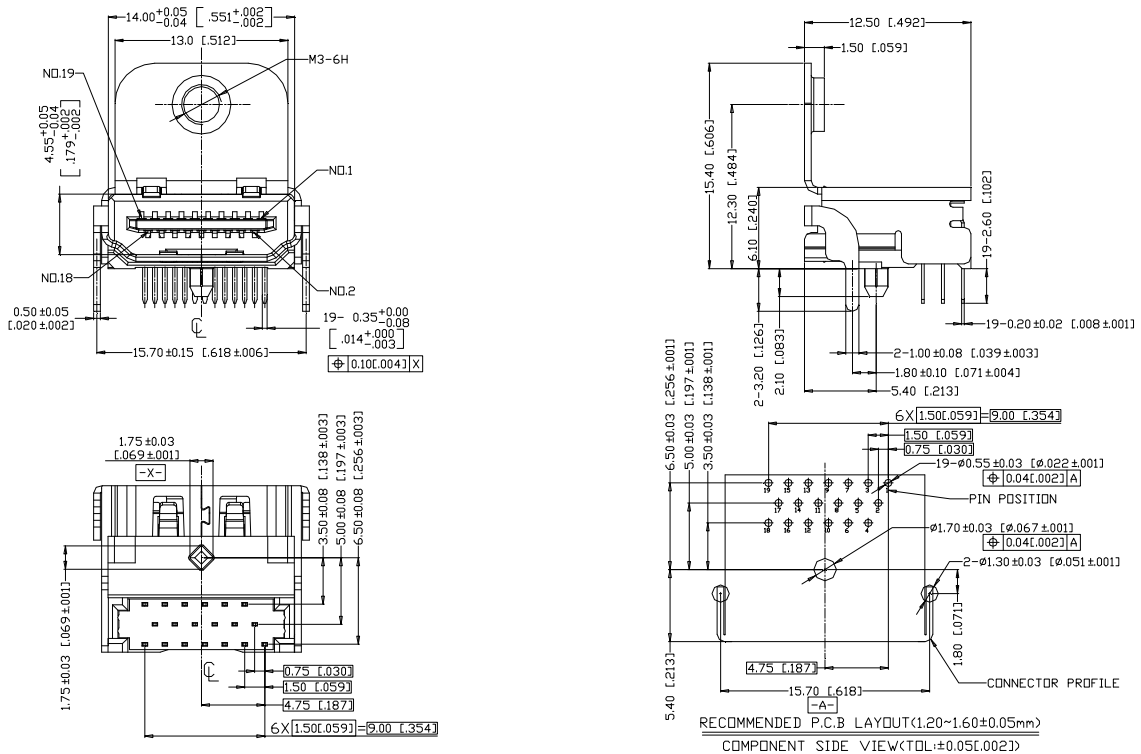
Physical

Housing: Thermoplastic, UL 94V-0 rated in black Color
Contact: Copper alloy
Plating: See "ORDERING INFORMATION"
Solder Pad: Copper alloy
Operating Temperature: -40°C to +85°C

**HDMI Receptacle Series
 Right Angle, T/H Type
 0.75mm [.030"] Pitch
 19 Pos.**



DRAWING



ORDERING INFORMATION

PRODUCT NO: QJ 1 1 19 1 - WEB3 - 4 F

