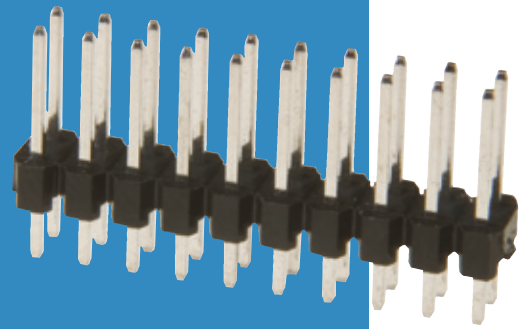


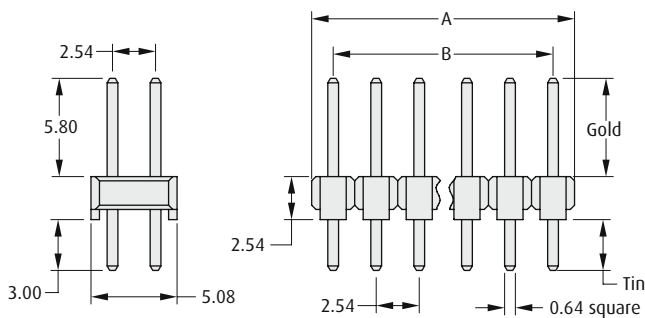
M20 Connectors

Male Vertical Double Row PC Tail

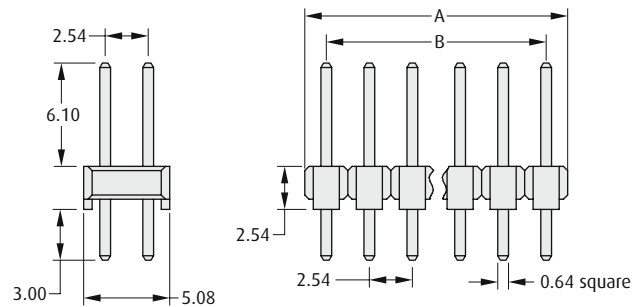
- ❖ Suitable for use with female connectors and jumper sockets shown on pages 140 to 145.
- ❖ Choice of mating pin lengths – or specify your own pin header (see page 152).
- ❖ Pin headers can be cut into smaller sizes.



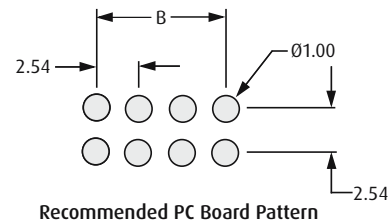
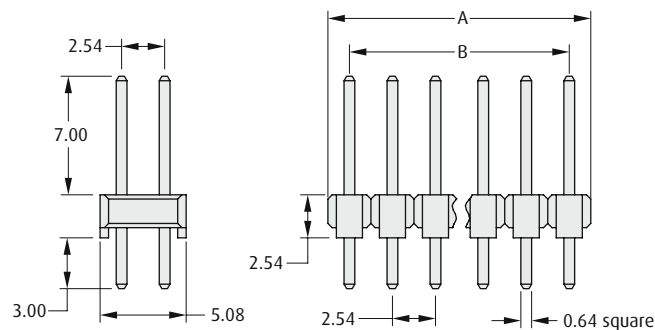
5.8mm



6.1mm



7.0mm



CALCULATION

A	2.54 x No. of contacts per row
B	2.54 x (No. of contacts per row - 1)

HOW TO ORDER

M20 - 9 XX XX XX

SERIES CODE

SIZE

72	7.0mm Mating Height
76	5.8mm Mating Height
98	6.1mm Mating Height

NO. OF CONTACTS PER ROW

02 to 40

FINISH

42	Gold + Tin (M20-976)	
45	Gold (M20-972, 998)	
46	Tin	

All dimensions in mm.