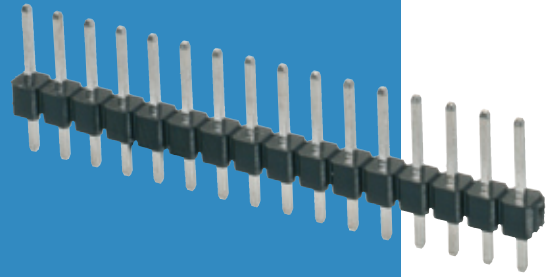


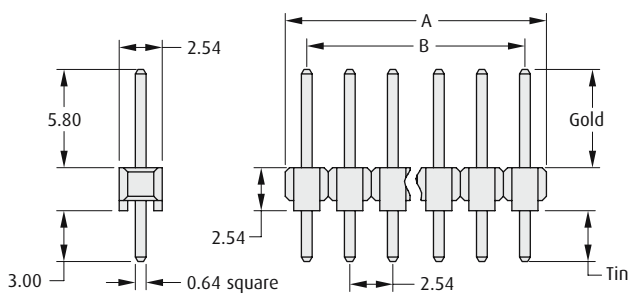
M20 Connectors

Male Vertical Single Row PC Tail

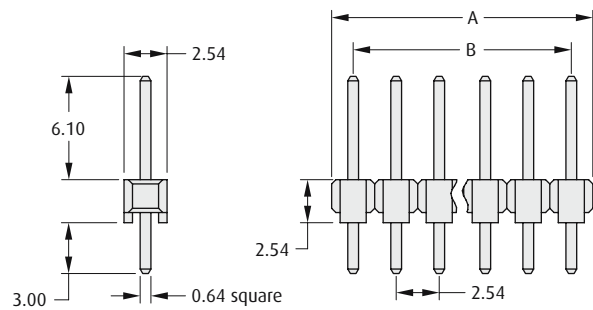
- Suitable for use with female connectors and jumper sockets shown on pages 140 to 145.
- Choice of mating pin lengths or specify your own pin headers (see page 152).
- Pin headers can be cut to smaller sizes.



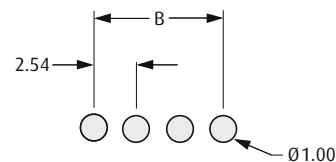
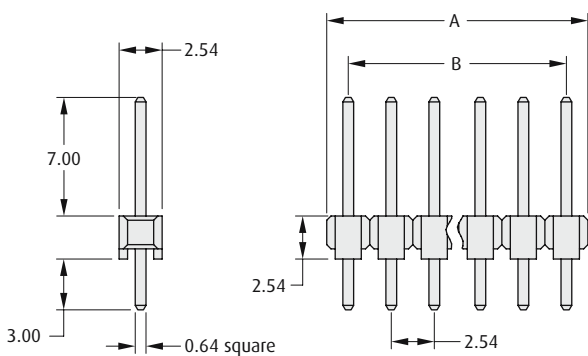
5.8mm



6.1mm



7.0mm



Recommended PC Board Pattern

CALCULATION

A	$2.54 \times \text{No. of contacts per row}$
B	$2.54 \times (\text{No. of contacts per row} - 1)$

HOW TO ORDER

M20 - 9 XX XX XX

SERIES CODE

SIZE

73	7.0mm Mating Height
77	5.8mm Mating Height
99	6.1mm Mating Height

NO. OF CONTACTS PER ROW

02 to 40

FINISH

42	Gold + Tin (M20-977)	PG
45	Gold (M20-973, 999)	PG
46	Tin	PG

All dimensions in mm.

2.54mm (.100") PITCH