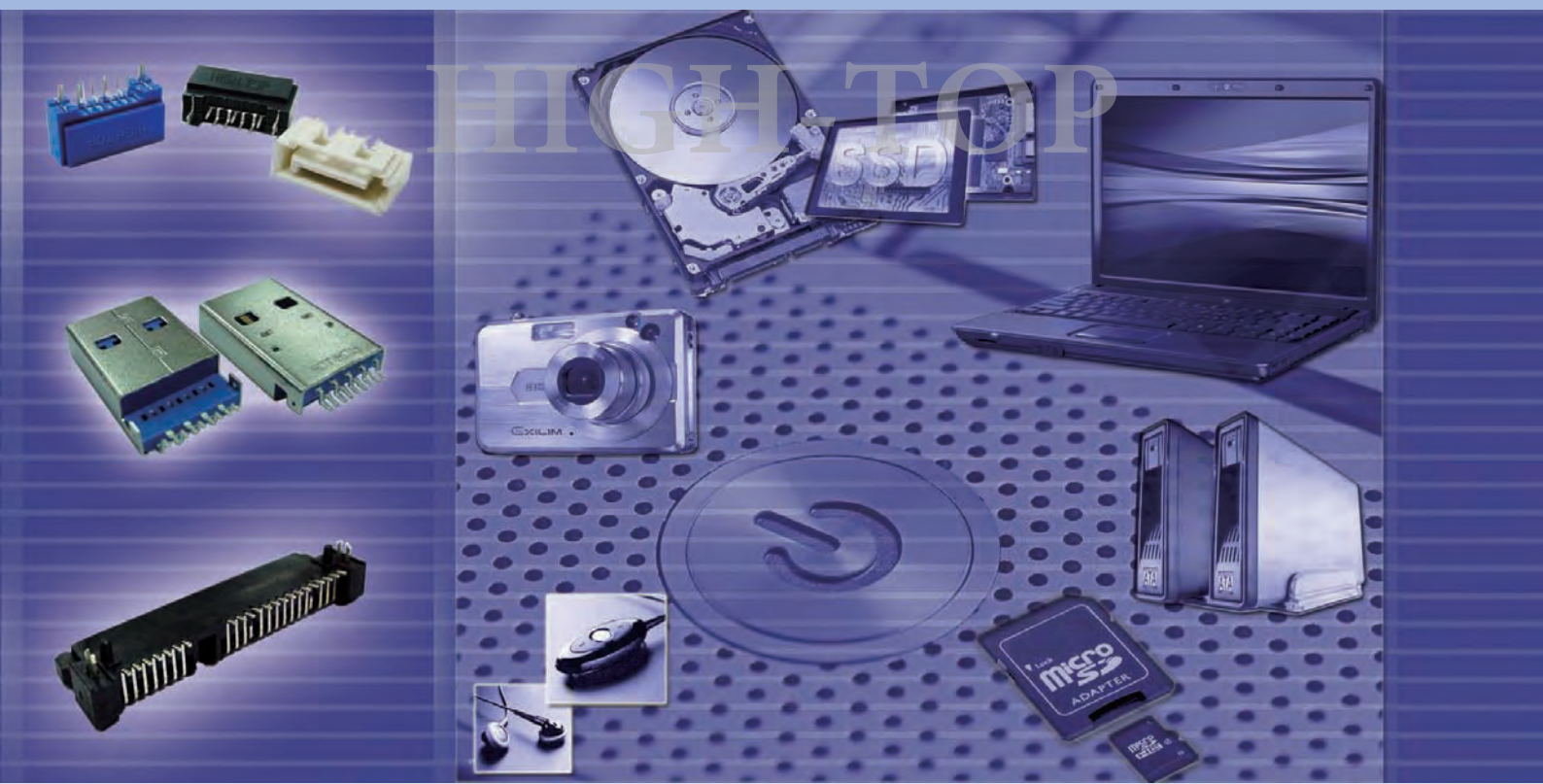
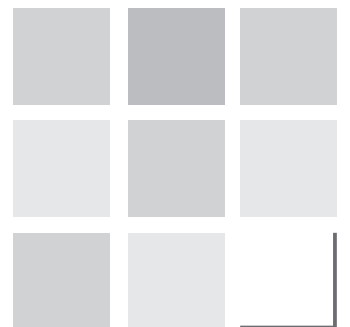


# HIGH-TOP

煜頂精密股份有限公司



HIGH-TOP



Connecting the Ideas

Your best interconnection solution partner

# HIGH-TOP

## *A Passion for Success*

**P**ROFIT  
**A**MBITION  
**S**INCERITY  
**S**TRENGTH  
**I**NNOVATION  
**O**PTIMISM  
**N**EVER GIVE UP

共創利潤  
強盛企圖  
熱心真誠  
不斷茁壯  
創新求變  
樂觀進取  
承先啟後

共享雙贏  
卓越追求  
展現服務  
完美表現  
開創新機  
接續未來  
永不放棄

# HIGH-TOP

The logo consists of a stylized blue and white arrow pointing upwards, followed by the text "HIGH-TOP" in a bold, blue, sans-serif font.

**HIGH-TOP**

# USB 3.0 CONNECTOR

## Material

Housing: High Temperature Thermoplastic UL94V-0

Terminal: Copper Alloy

Plating: Gold Over Nickel On Contact Area , Tin Plating On Terminal

Boardlock: Copper Alloy

## Electrical (USB 2.0)

Contact Rating: 1.5A Per Contact

Contact Resistance: 30mΩ Max

Insulation Resistance: 1000mΩ Min

Dielectric Withstanding Voltage : 500 VAC

## Electrical (USB 3.0)

Contact Rating: 1.5A Per Contact

Contact Resistance:

30mΩ (Max) initial for VBUS and GND contacts.  
50mΩ (Max) initial for all other contacts.

- Maximum change (delta) of +10 mΩ after environmental stresses.
- Measure at 20 mV (Max) open circuit at 100 mA.

Insulation Resistance: 100MΩ Min

Dielectric Withstanding Voltage : 100 VAC

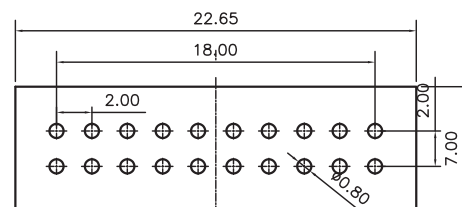
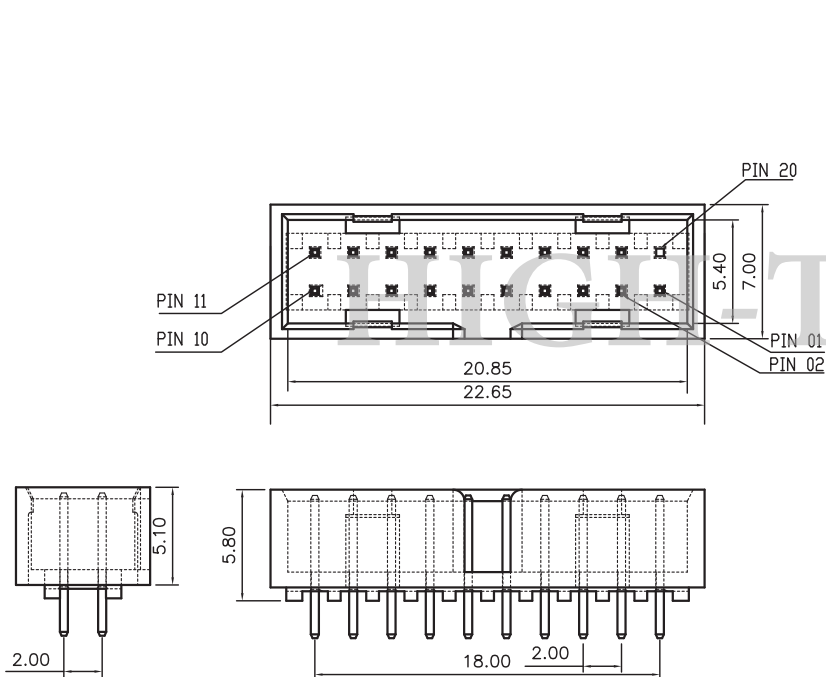
## Environmental

Operating Temperature: -20°C ~ +85°C

Humidity: 96 Hours at 40°C With 90% To 95% Rh

USB 3.0 Internal Connector, 20P/F

P/N: UB501S20X11



RECOMMENDED PCB LAYOUT  
TOLERANCE IS ±0.05

### ORDERING INFORMATION:

UB 501 S 20 X 11

PRODUCT NAME: UB: USB  
TYPE: 501 :Internal Connector  
STYLE: S: SOCKET

FOLLOW NO. Contact Gold Plating Option  
A = Gold Flash  
E = 15u"  
F = 30u"

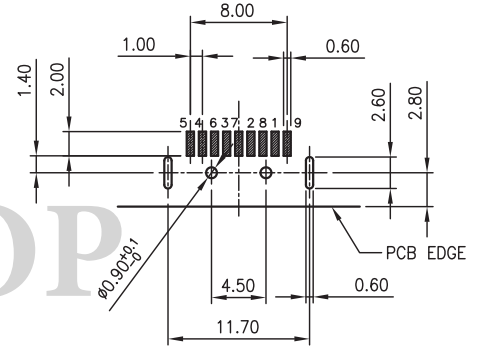
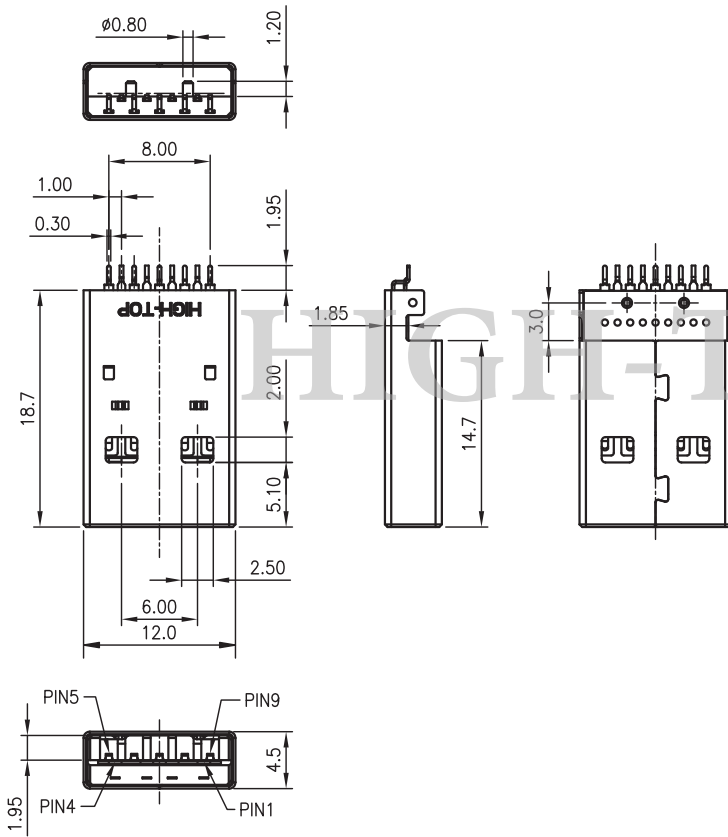
CIRCUITS  
20 = 20PIN



# USB 3.0 CONNECTOR

USB 3.0 CONN. , STANDARD A TYPE, PLUG, W/ POST

P/N:UB101P09FA1

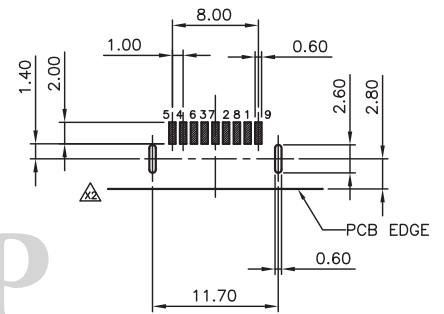
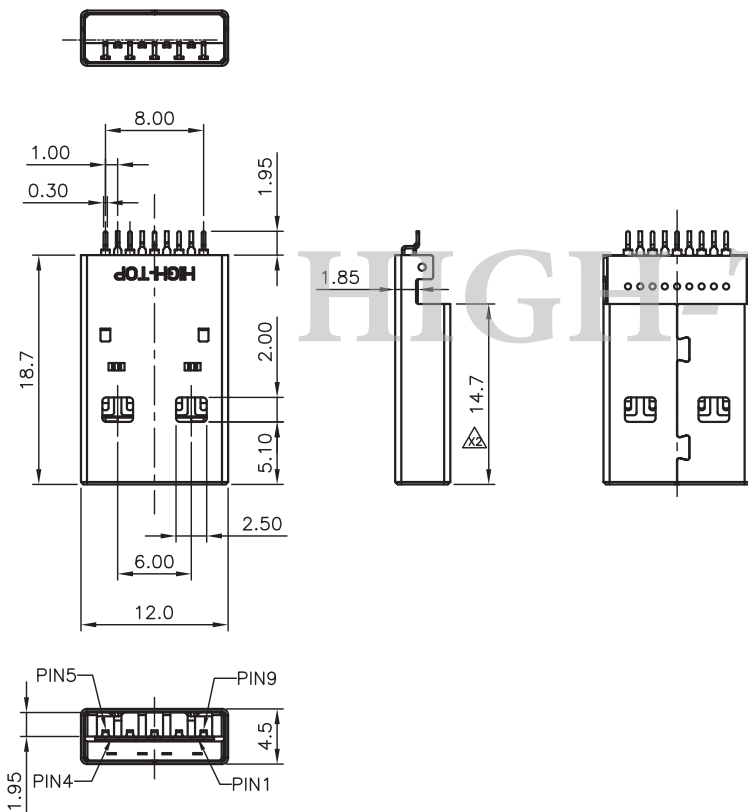


RECOMMENDED PADS LAYOUT  
<TOP VIEW>  
NOTE : TOLERANCE FOR PCB LAYOUT IS  $\pm 0.05$



USB 3.0 CONN. , STANDARD A TYPE, PLUG, W/O POST

P/N: UB101P09FB1



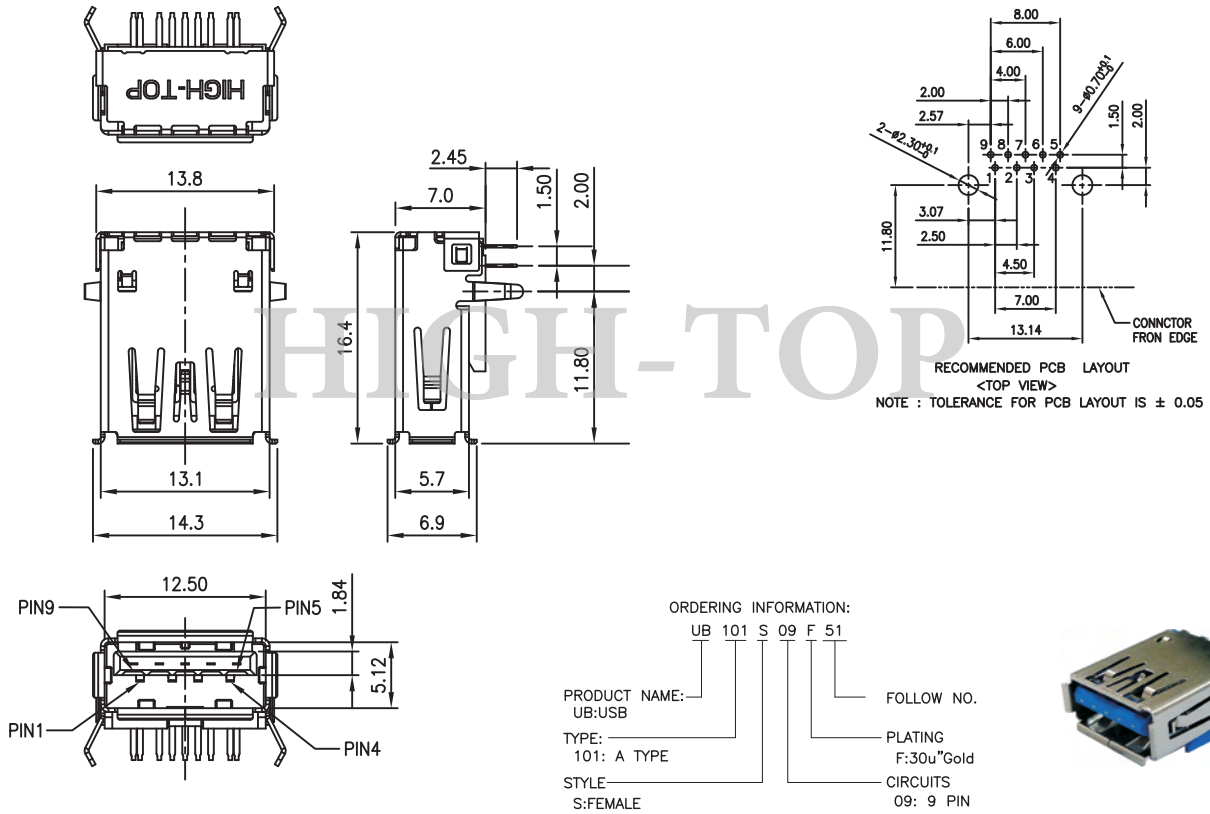
RECOMMENDED PADS LAYOUT  
<TOP VIEW>  
NOTE : TOLERANCE FOR PCB LAYOUT IS  $\pm 0.05$



# USB 3.0 CONNECTOR

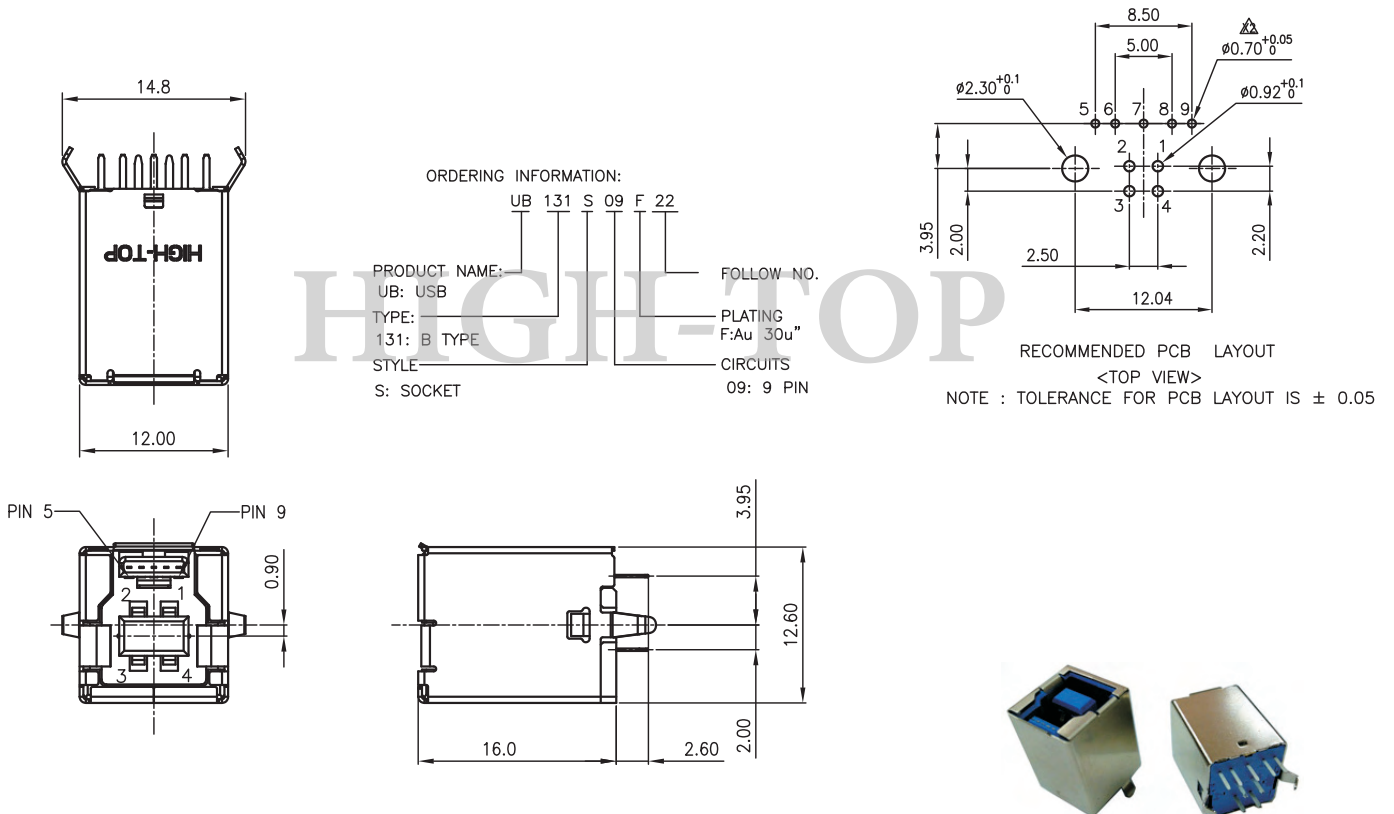
USB 3.0 CONN., STANDARD A TYPE, FEMALE

P/N:UB101S09F51



9P/F Standard B type, Vertical

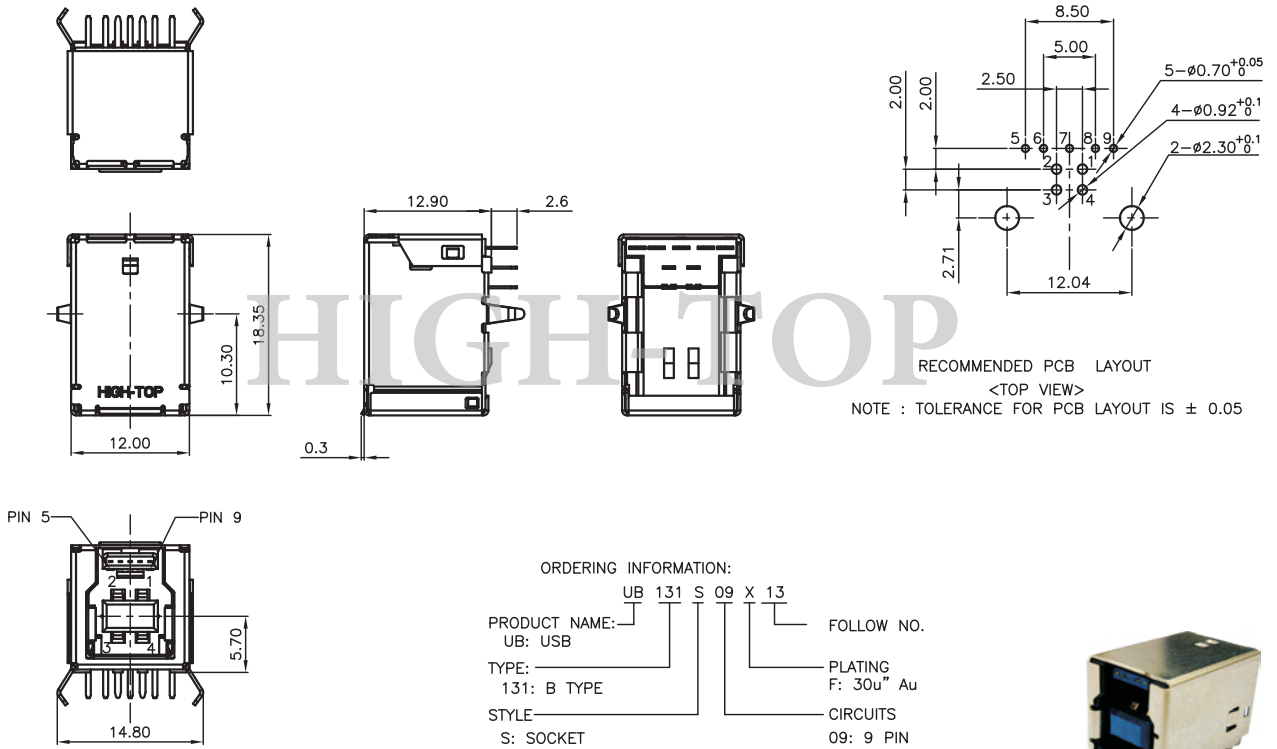
P/N:UB131S09F22



# USB 3.0 CONNECTOR

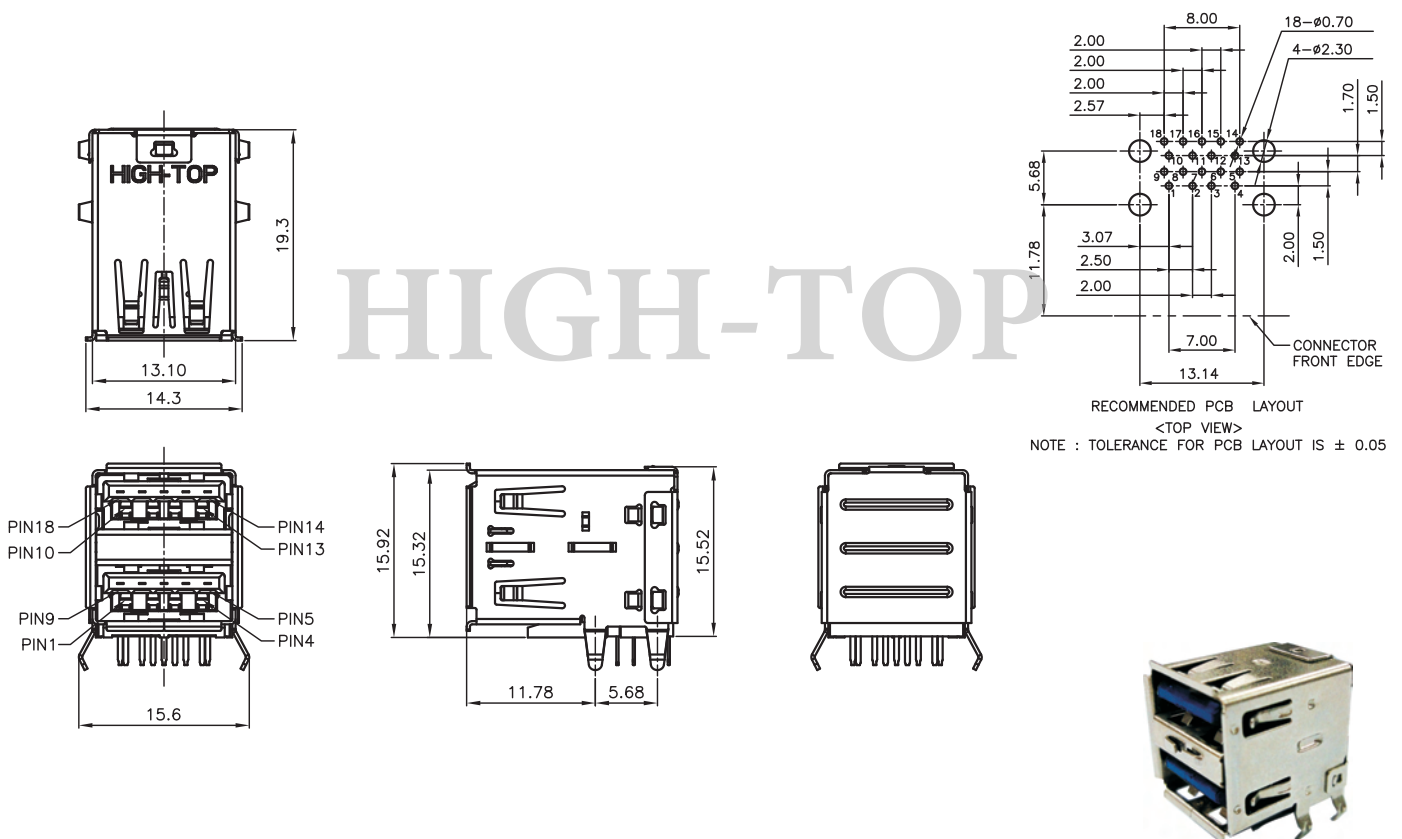
USB 3.0 CONN., 9P/F, B TYPE

P/N:UB131S09X13



USB 3.0 DOUBLE A TYPE FEMALE

PN:UB111S18X20

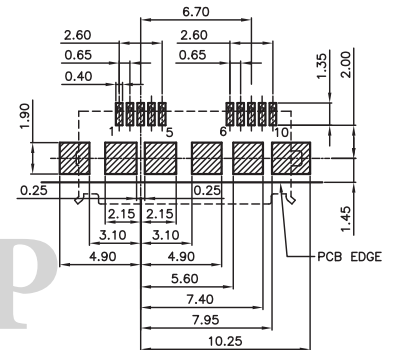
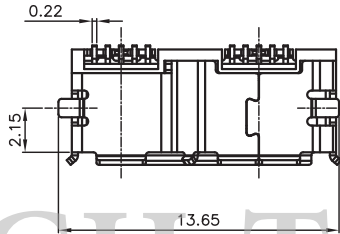
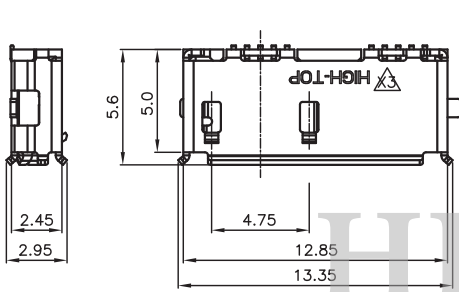




# USB 3.0 MICRO B CONNECTOR

USB 3.0 CONN. MICRO B, SMT FEMALE

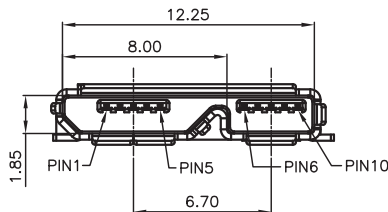
P/N: UB321S10F11



RECOMMENDED PCB LAYOUT

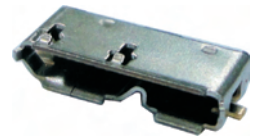
<TOP VIEW>

NOTE : TOLERANCE FOR PCB LAYOUT IS  $\pm 0.05$



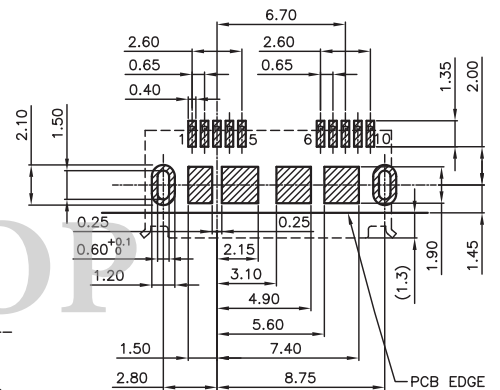
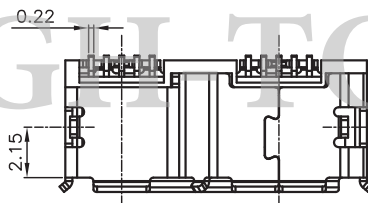
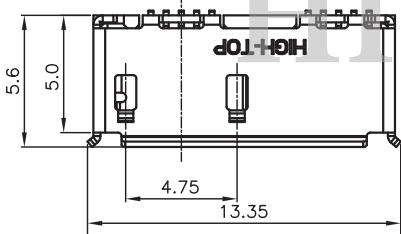
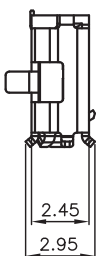
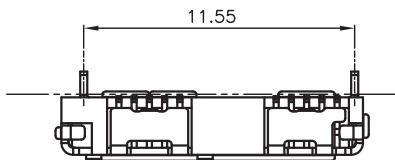
ORDERING INFORMATION:

PRODUCT NAME: UB 321 S 10 F 11 FOLLOW NO.  
 UB:USB  
 TYPE: 321:MICRO B PLATING  
 STYLE: S:SOCKET F:30u"Gold  
 CIRCUITS  
 10:10 PIN



USB 3.0 . MICRO B, DIP FEMALE, 10PIN

P/N:UB321S10F31



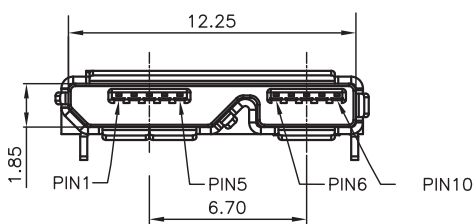
RECOMMENDED PCB LAYOUT

<TOP VIEW>

NOTE : TOLERANCE FOR PCB LAYOUT IS  $\pm 0.05$

ORDERING INFORMATION:

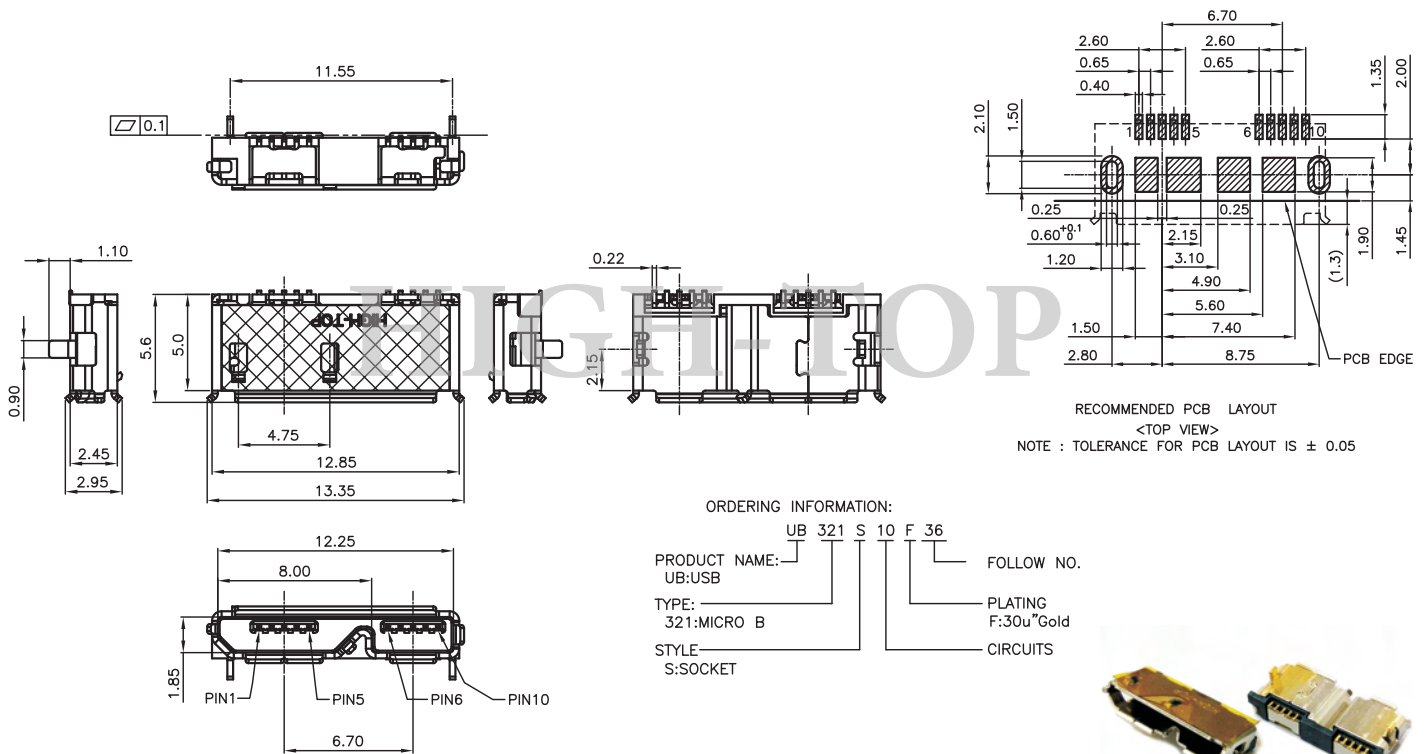
PRODUCT NAME: UB 321 S 10 F 31 FOLLOW NO.  
 UB:USB  
 TYPE: 321:MICRO B PLATING  
 STYLE: S:SOCKET F:30u"Gold  
 CIRCUITS



# USB 3.0 MICRO B CONNECTOR

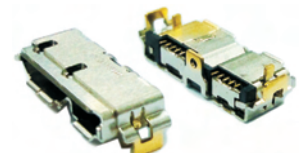
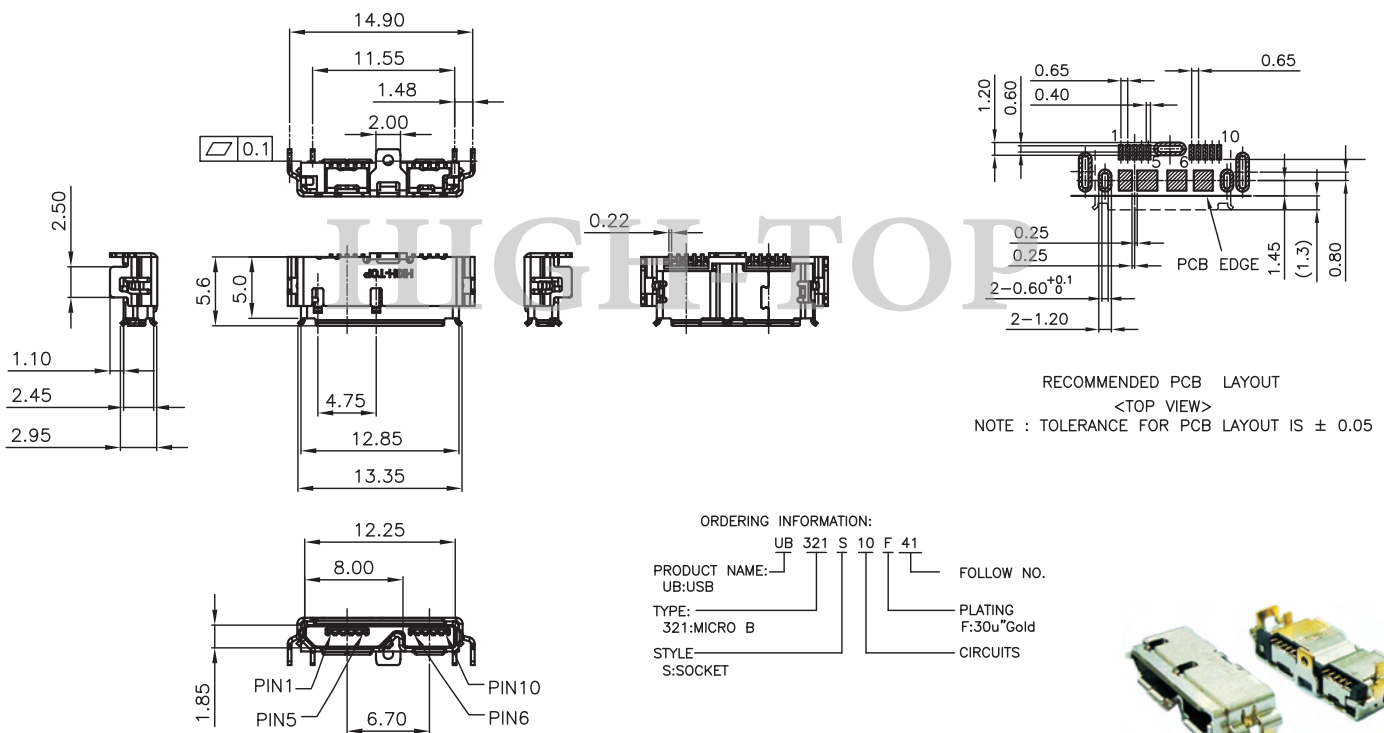
USB 3.0 CONN. Micro B, DIP 10P/F, W/Mylar

P/N:UB321S10F36



USB 3.0 CONN. Micro B, DIP, 10P/F

P/N:UB321S10F41

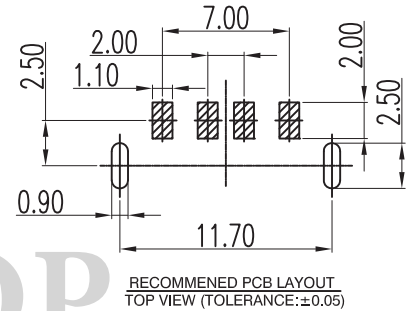
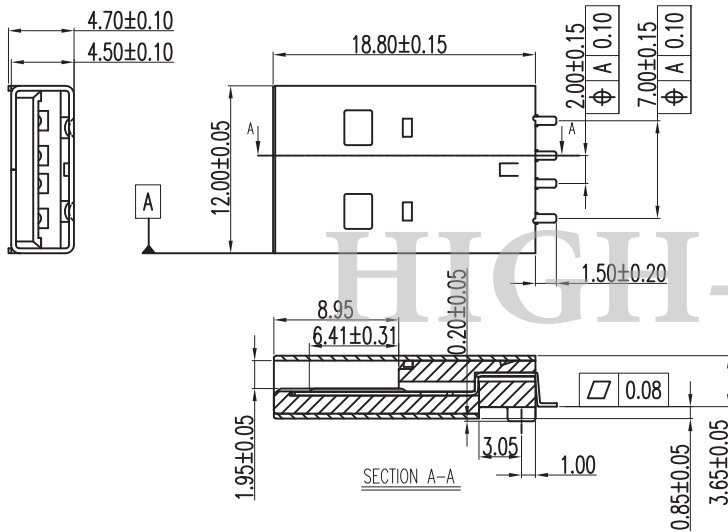




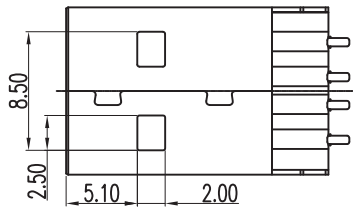
# USB 2.0 CONNECTOR

USB CONN., A TYPE PLUG SMT (0.85), STRAIGHT PEG(4.70)

P/N: USB1-AM51914-07

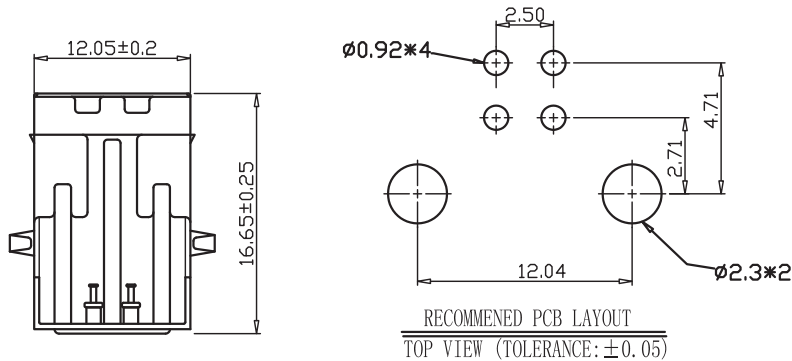
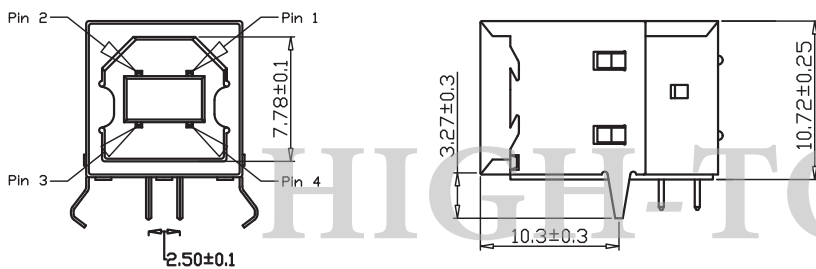


PRODUCT NAME: USB 1 - A M 51914-07  
 USB: USB CONNECTOR  
 MODLE: 1: SINGLE LAYER  
 STYLE: 30u"鐵殼腳4.70無柱  
 M: PLUG  
 SPACING  
 A:A TYPE



USB B TYPE SOCKET 90°DIP TYPE

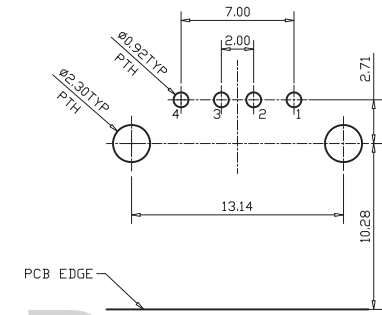
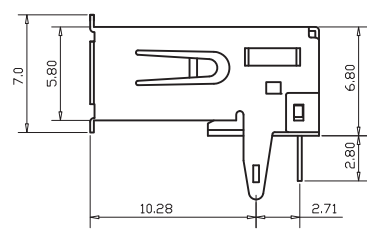
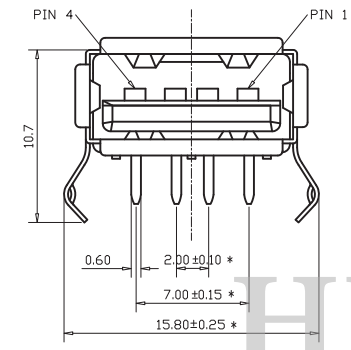
P/N: UB131S04AB2



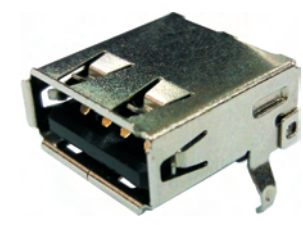
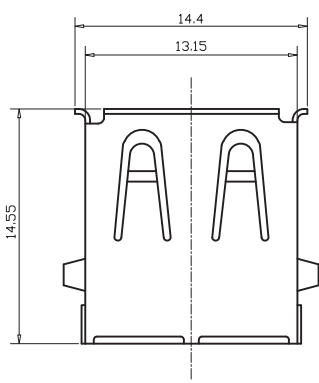
# USB 2.0 CONNECTOR

USB A TYPE(F) DIP 90°

P/N:UB101S04EP2

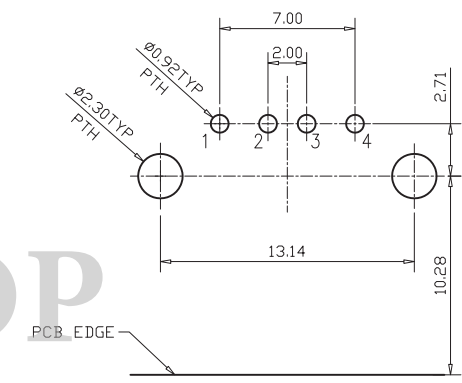
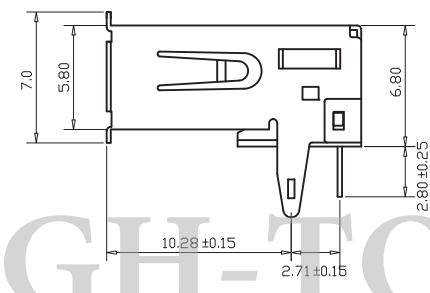
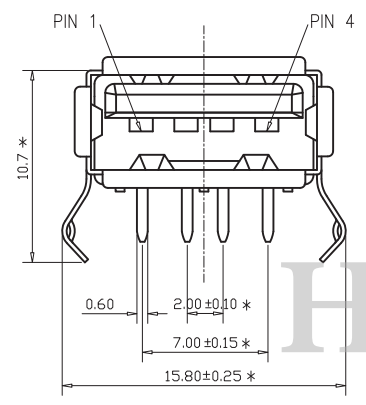


RECOMMENDED PCB LAYOUT  
TOP VIEW (TOLERANCE:±0.05)

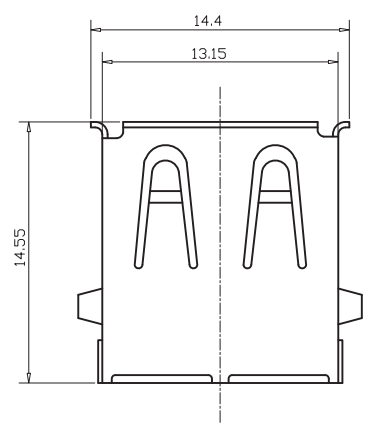


USB A/F DIP 90° CONN.

P/N: UB101S04ED2



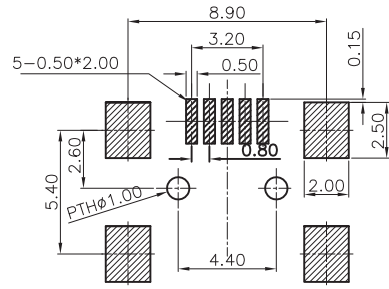
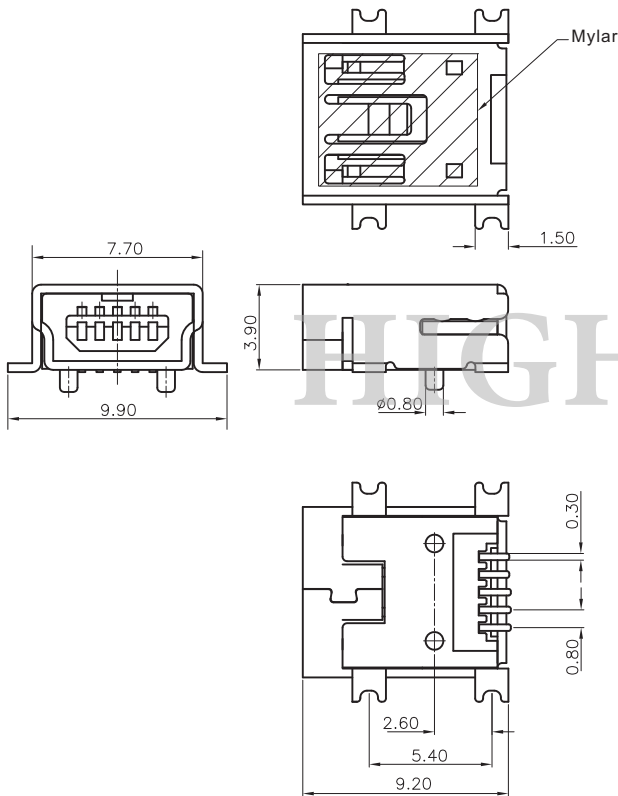
RECOMMENDED PCB LAYOUT  
TOP VIEW (TOLERANCE:±0.05)



# MINI USB CONNECTOR

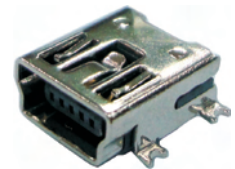
MINI USB CONN. 5P/F SMT 90°

P/N:UB211S05XF0



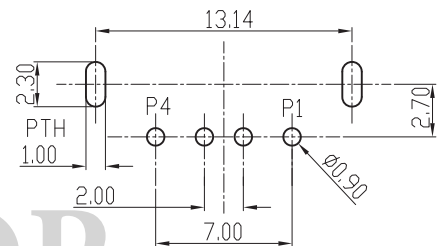
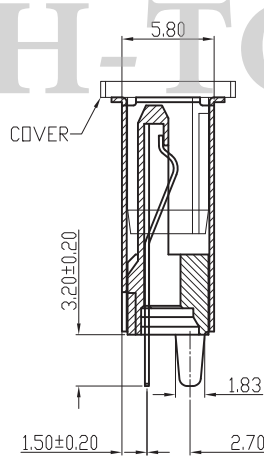
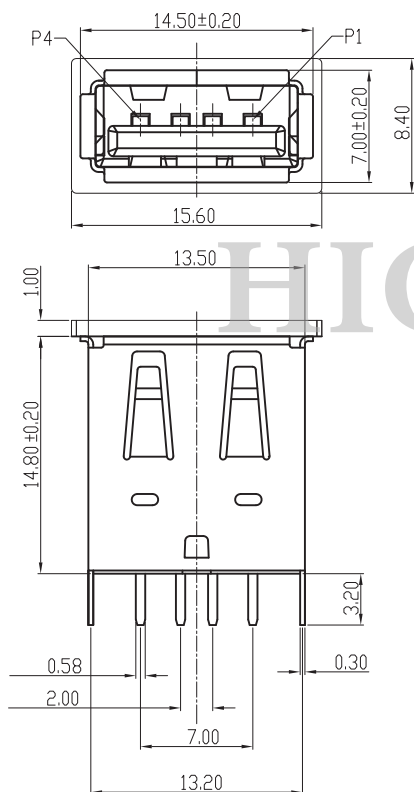
TOP VIEW, PCB LAYOUT  
(RECOMMEND TOLERANCE ±0.05)

PRODUCT NAME: UB 211 S 05 X F 0 PACKING  
 UB: MINI USB PLATING  
 MODE C: 5u" Au D: 10u" Au  
 211: MINI USB A TYPE E: 15u" Au F: 30u" Au  
 單層 CIRCUITS  
 STYLE 05: 5P CIRCUITS  
 S: SOCKET



USB A/F DIP 180° CONN.

P/N: UB101S04A12



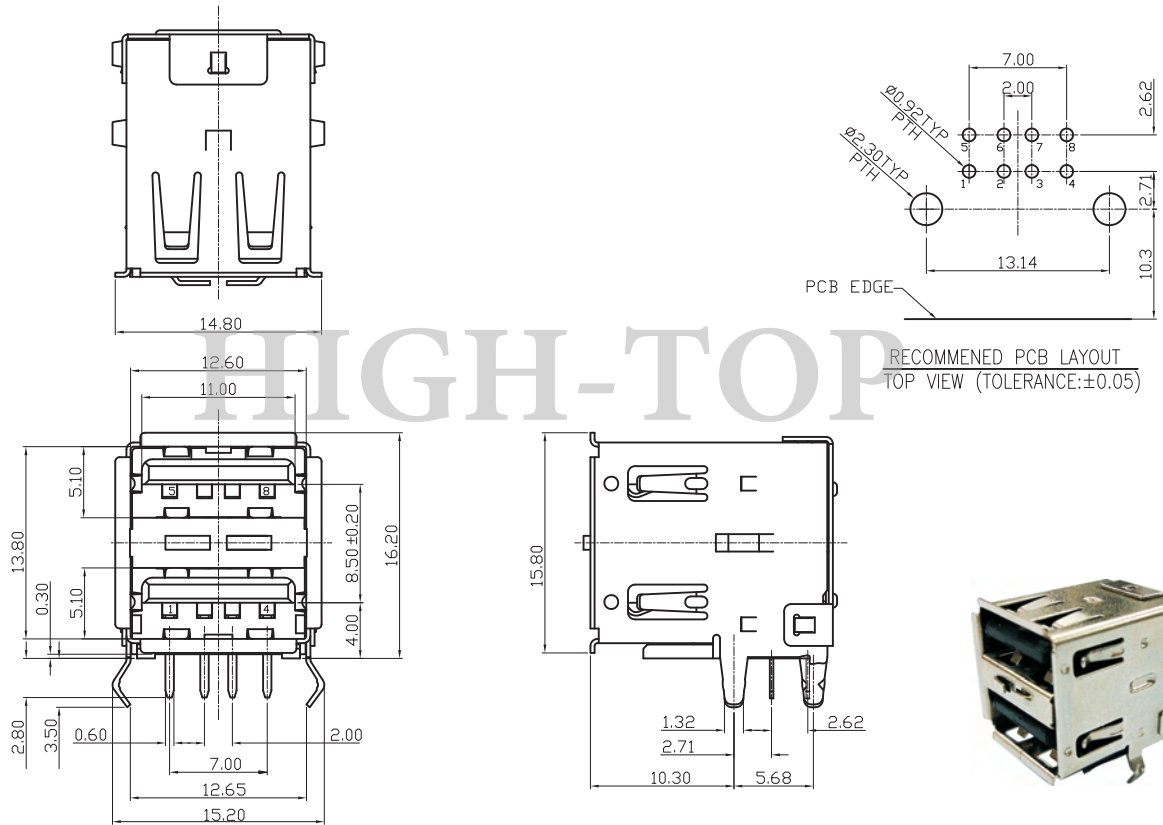
PCB LAYOUT/TOP VIEW  
TOLERANCE: ±0.05



# USB 2.0 DUAL STACKED CONN.

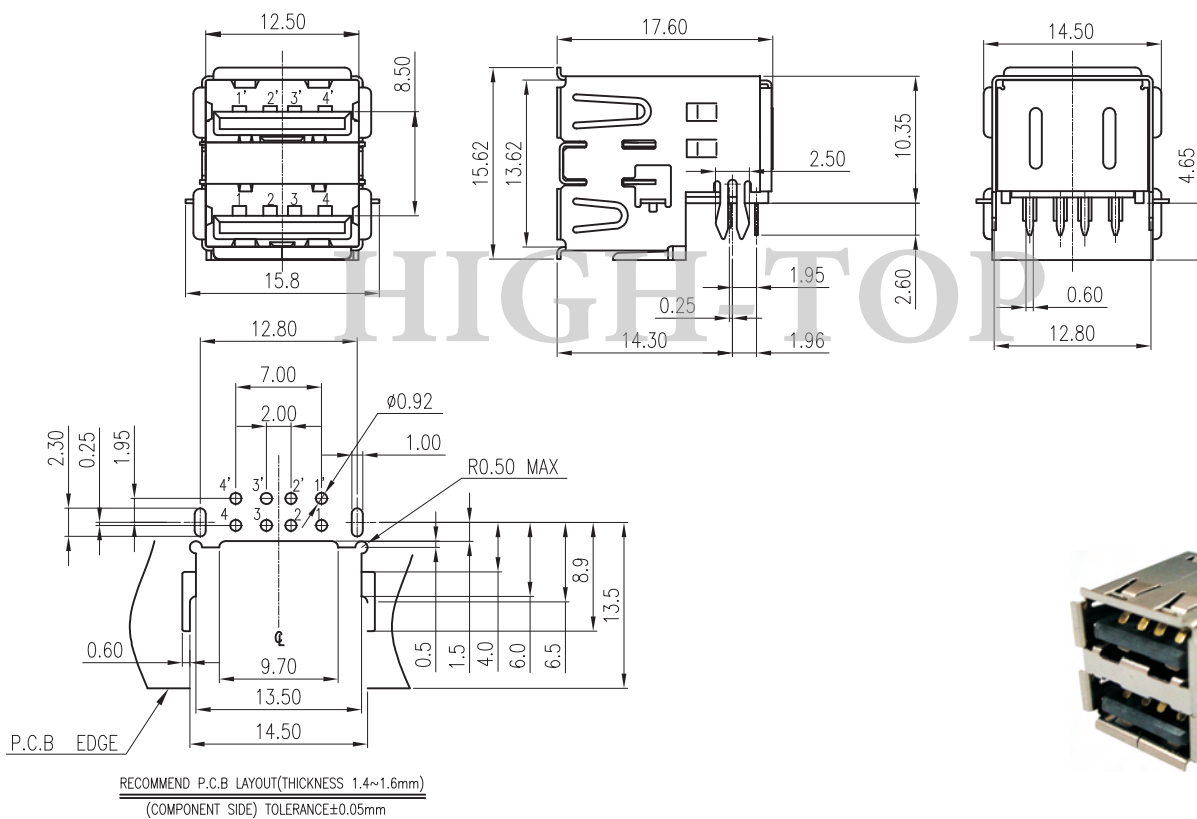
USB A/Fx2, DIP 90° CONN.

P/N:HUS2F1AABK010AR



USB A/F1\*2 DIP 90° CONN., LOW PROFILE

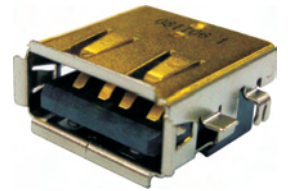
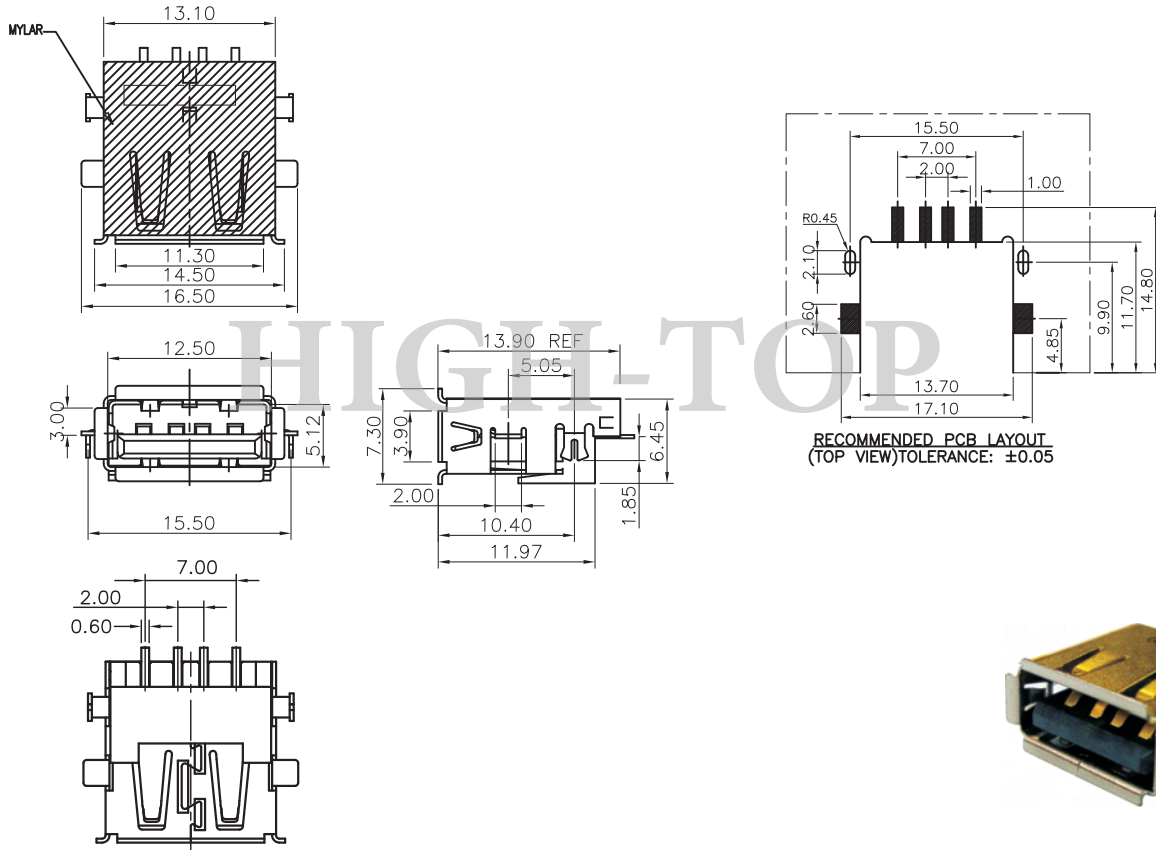
P/N: UB111S08E32



# USB 2.0 TYPE A CONN.

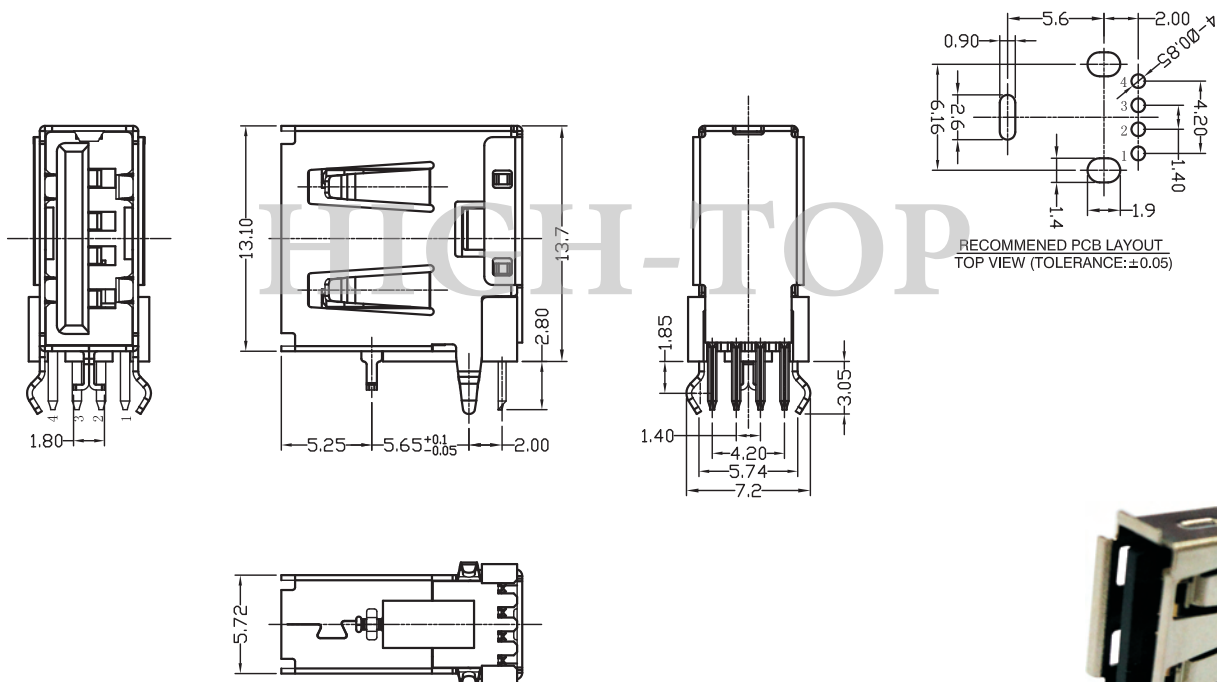
USB CONN., 4P/F 90° SMT + LATCH

P/N:UB101S04FZ2



USB CONN., 4P/F, DIP UPRIGHT ANGLE

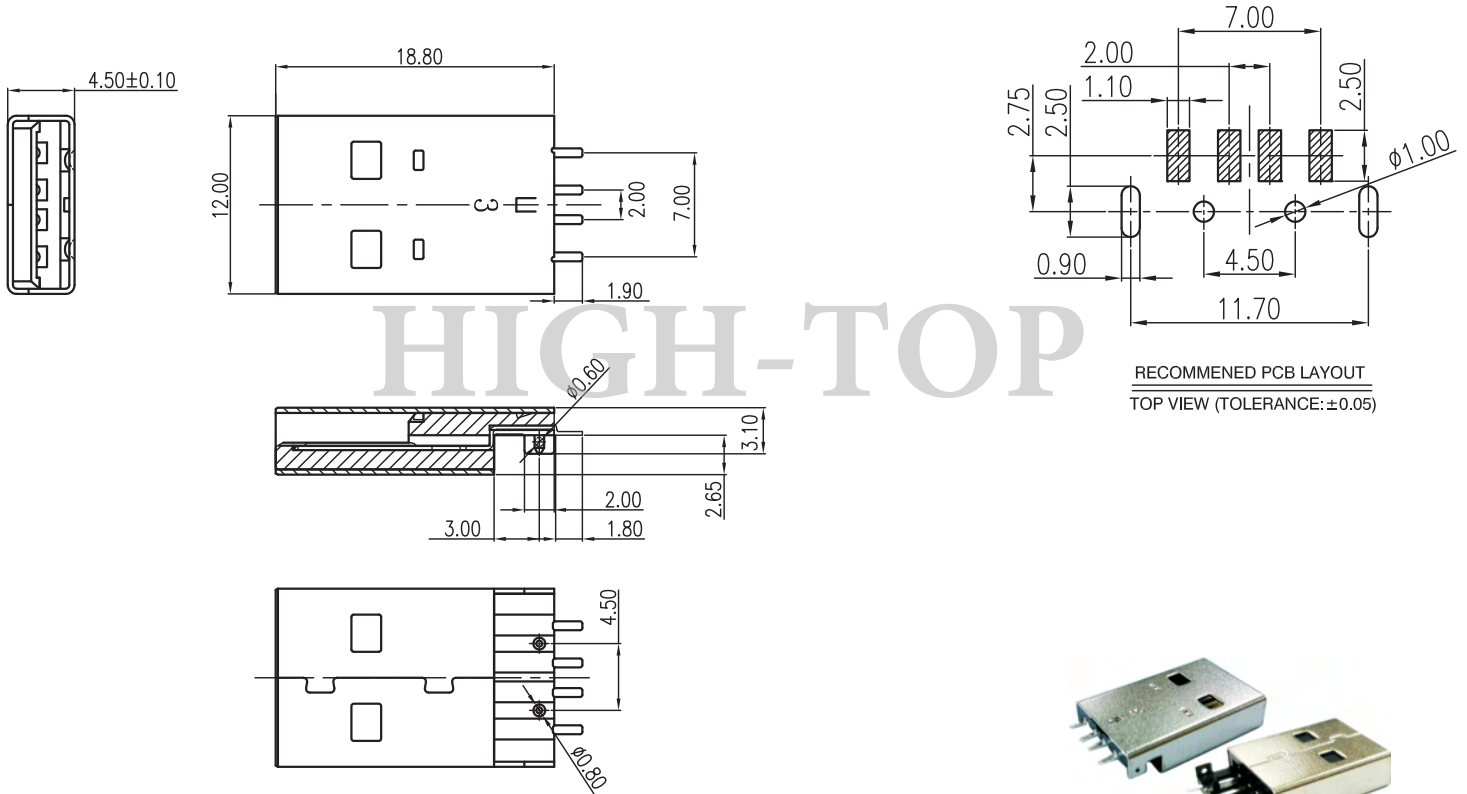
P/N:UB101S04X51



# USB 2.0 TYPE A CONN.

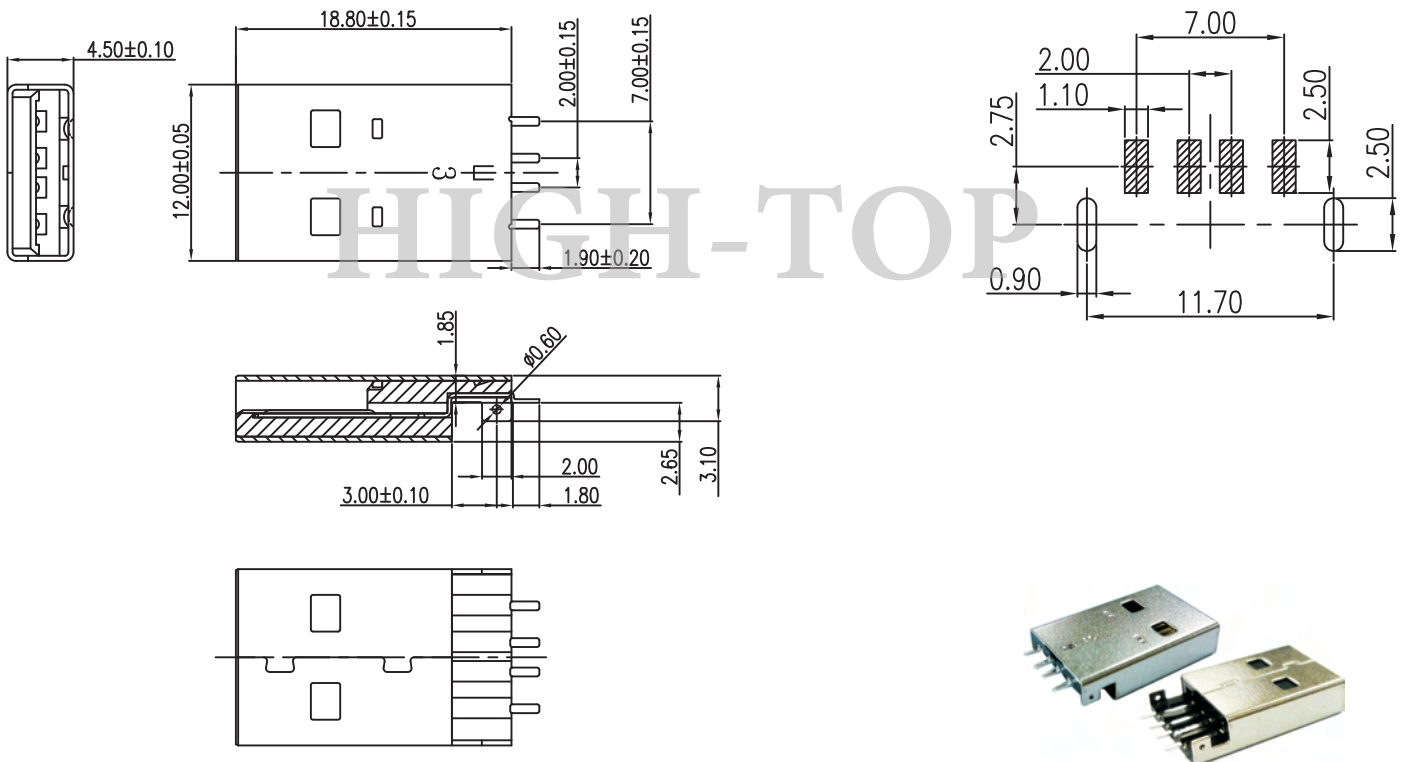
**USB CONN., 4P/P SMT (2.65)  
STRAIGHT PEG(3.10),W/POST**

**P/N:USB1-AM51914-08**



**USB CONN., 4P/PSMT (2.65),  
STRAIGHT PEG(3.10),W/O POST**

**P/N:USB1-AM51914-09**

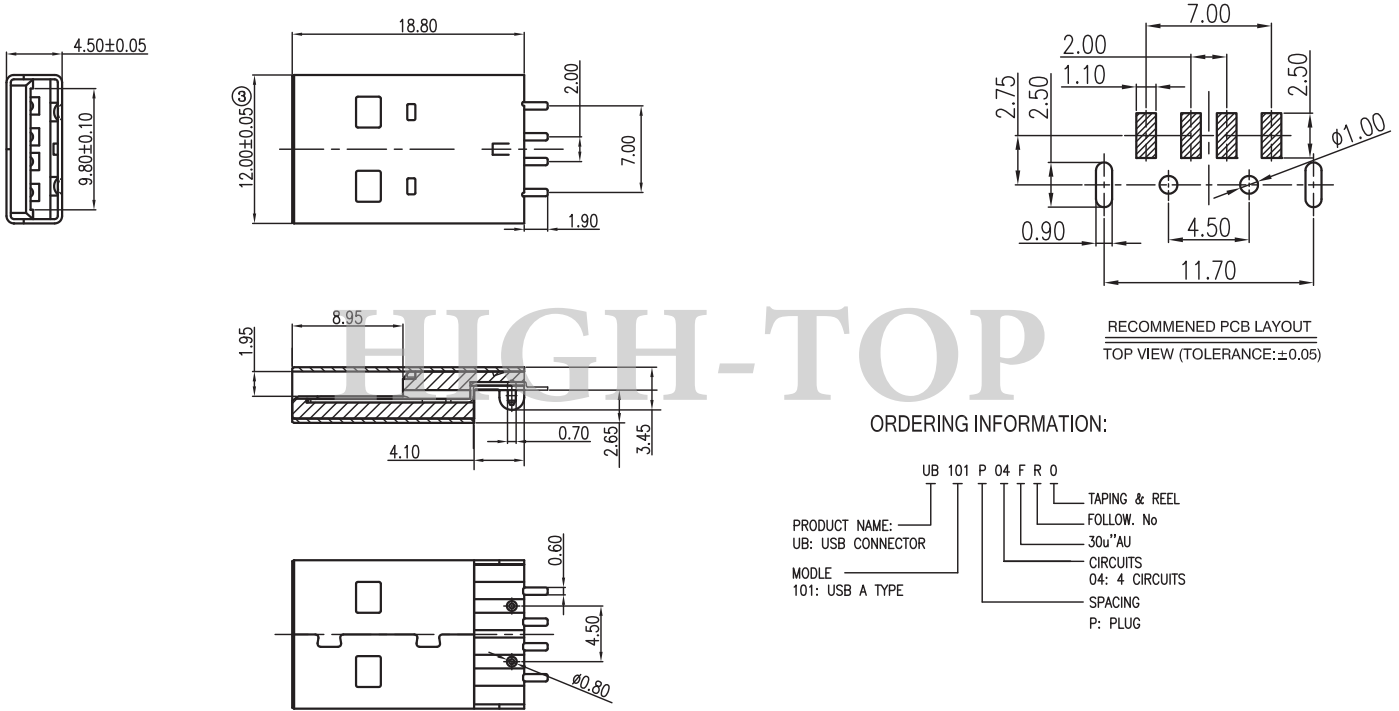




# USB 2.0 TYPE A CONN.

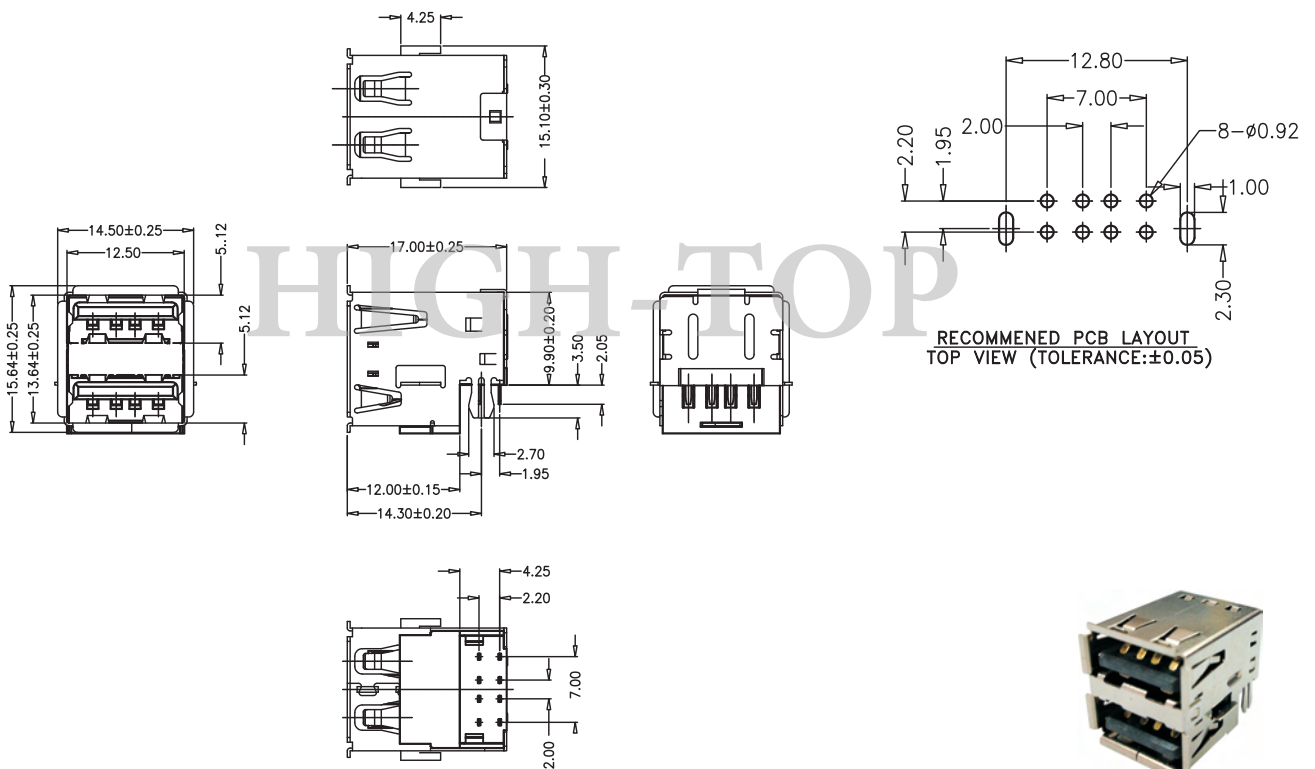
USB A TYPE 4P/P, SMT 2.65, STRAIGHT PEG 3.45

P/N:UB101P04FRO



USB CONN., 4P/F Double DIP 90°

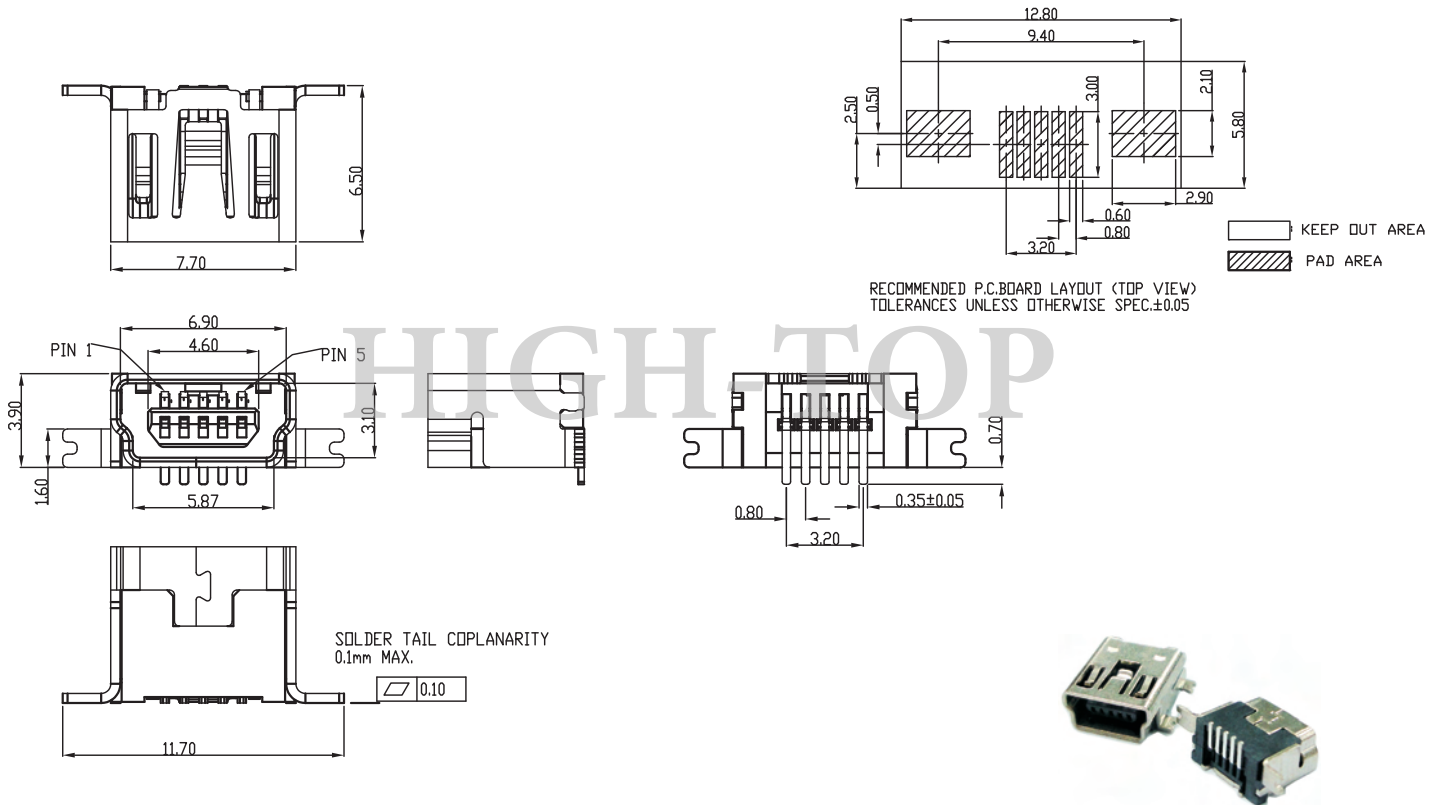
P/N:UB111S08A33



# MINI USB CONNECTOR

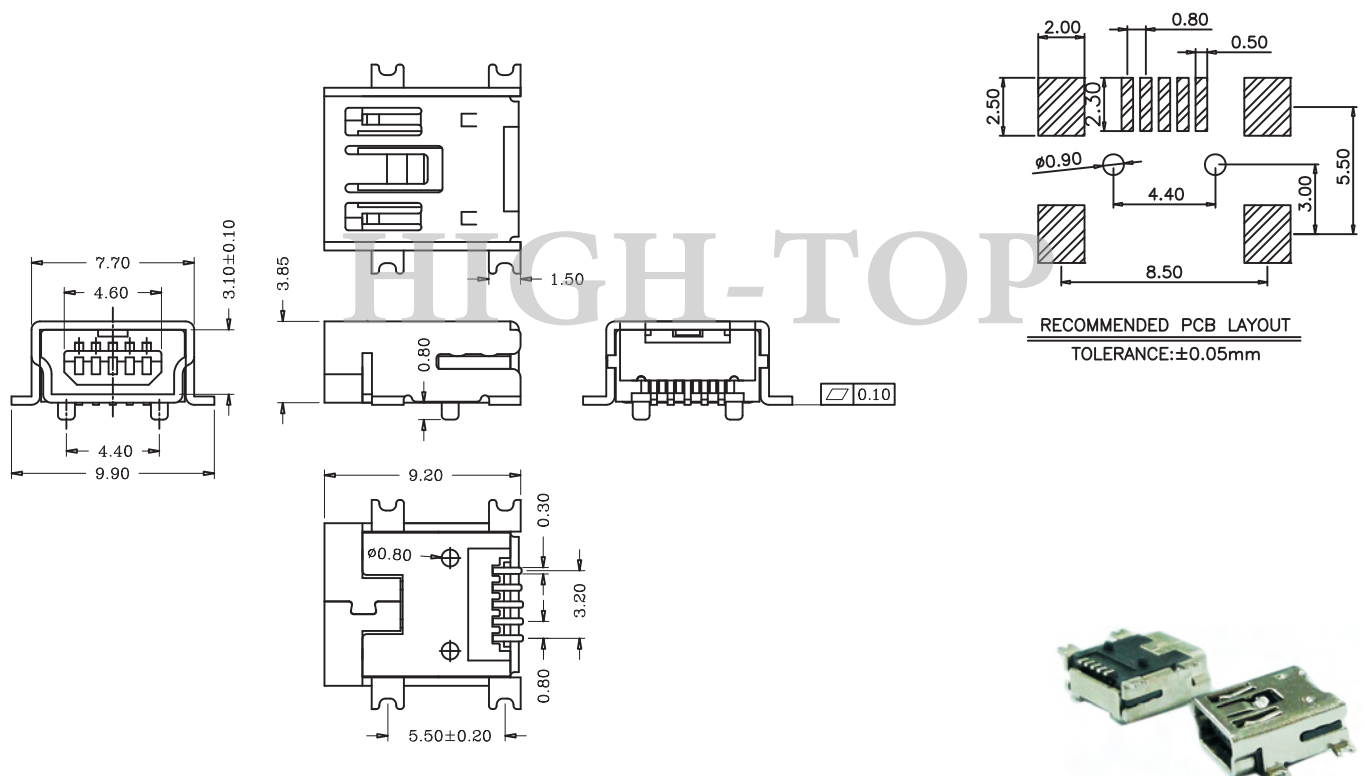
Mini USB CONN, 5P/F, B TYPE V\_SMT, W/CAP

P/N:UB211S05A11



Mini USB CONN. 5P/F B TYPE SMT (Shell DIP)  
V/T W/Mylar, W/O Post

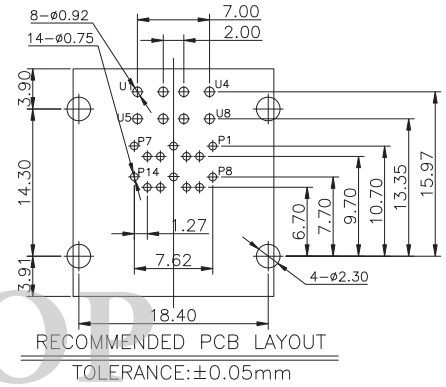
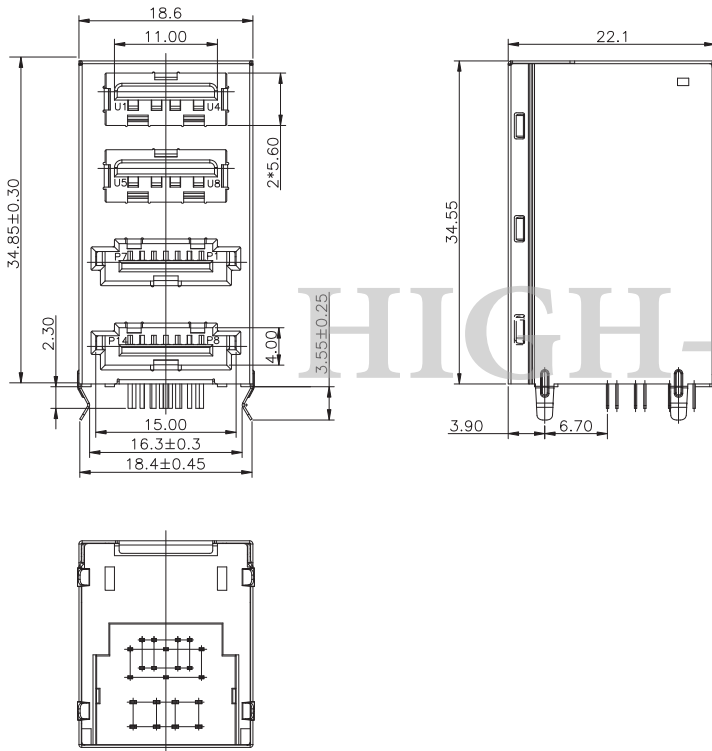
P/N:UB211S05A30



# E-SATA STACKED COMBO CONN.

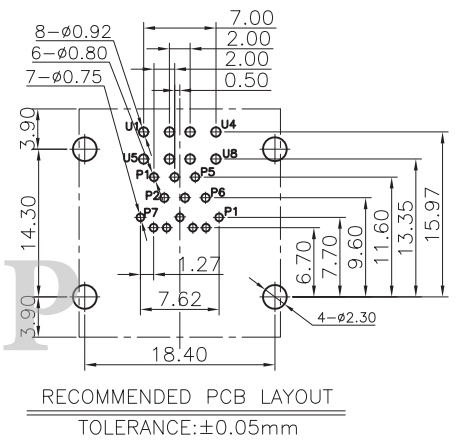
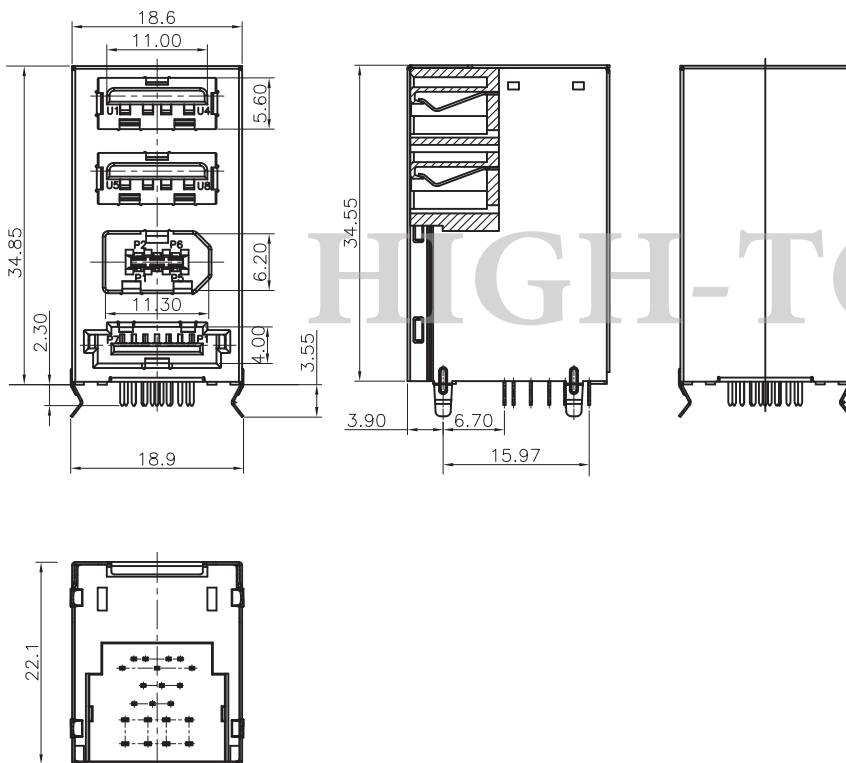
DOUBLE E-SATA + DOUBLE USB CONNECTOR

P/N:HUS8G4GFBM016AR



USBX2 + 1394 + E-SATA CONNECTOR

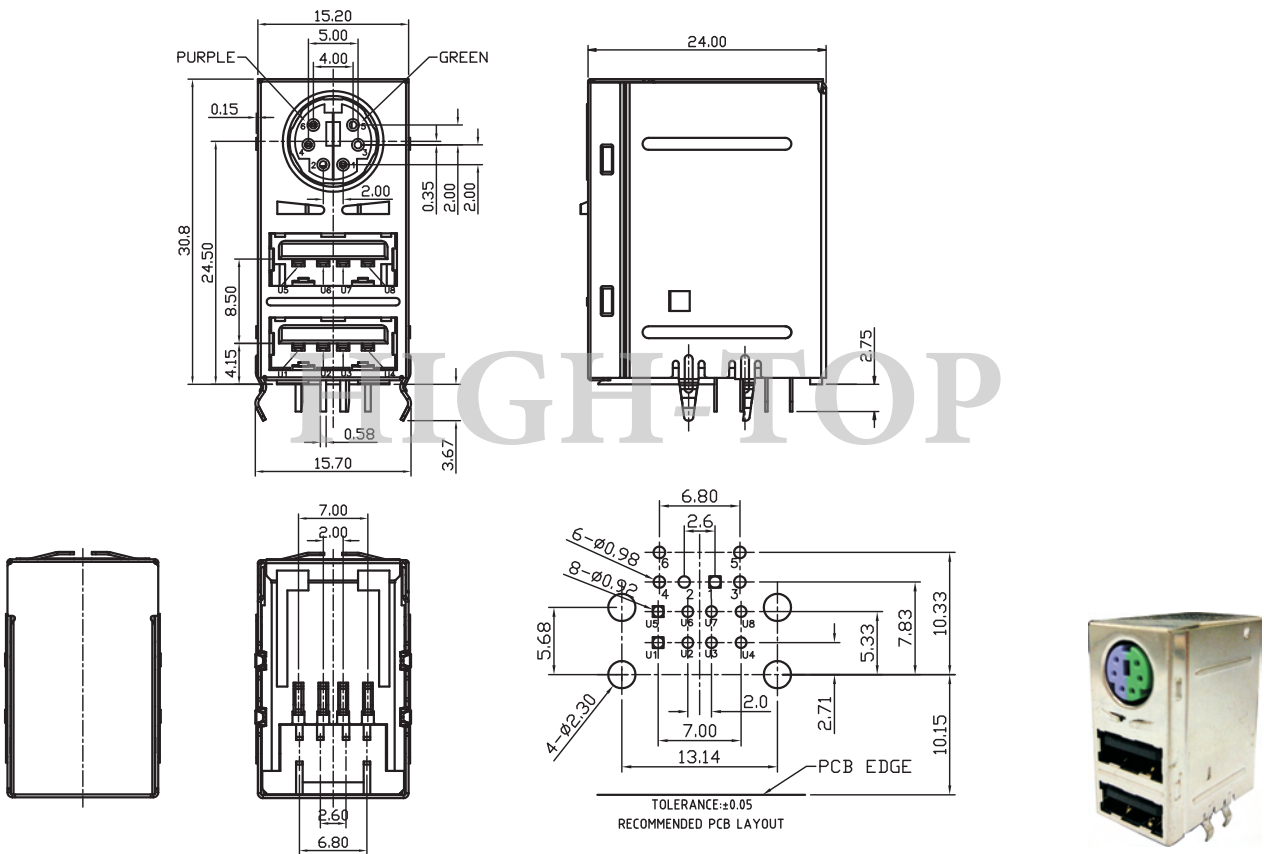
P/N:HUS9G10FBM010AR



# USB STACKED CONNECTOR

USB A/FX2 CONN.,+ MINI DIN 6P/F

P/N:UB00AS14AP2



HIGH-TOP

## Headquarter

No.20, Alley 13, Lane 206, Longshou St., Taoyuan City,  
Taoyuan Country 330, Taiwan, R.O.C.

TEL : +886-3-369-2686

FAX : +886-3-370-6563

<http://www.high-top.com.tw>

E-mail : [info@high-top.com.tw](mailto:info@high-top.com.tw)

# HIGH-TOP

010010111010101110101  
10110101110101101000  
0111011100100110001

# HIGH-TOP



煜頂精密股份有限公司  
HIGHTOP PRECISION ELECTRONIC CO.,LTD.

 HIGH-TOP