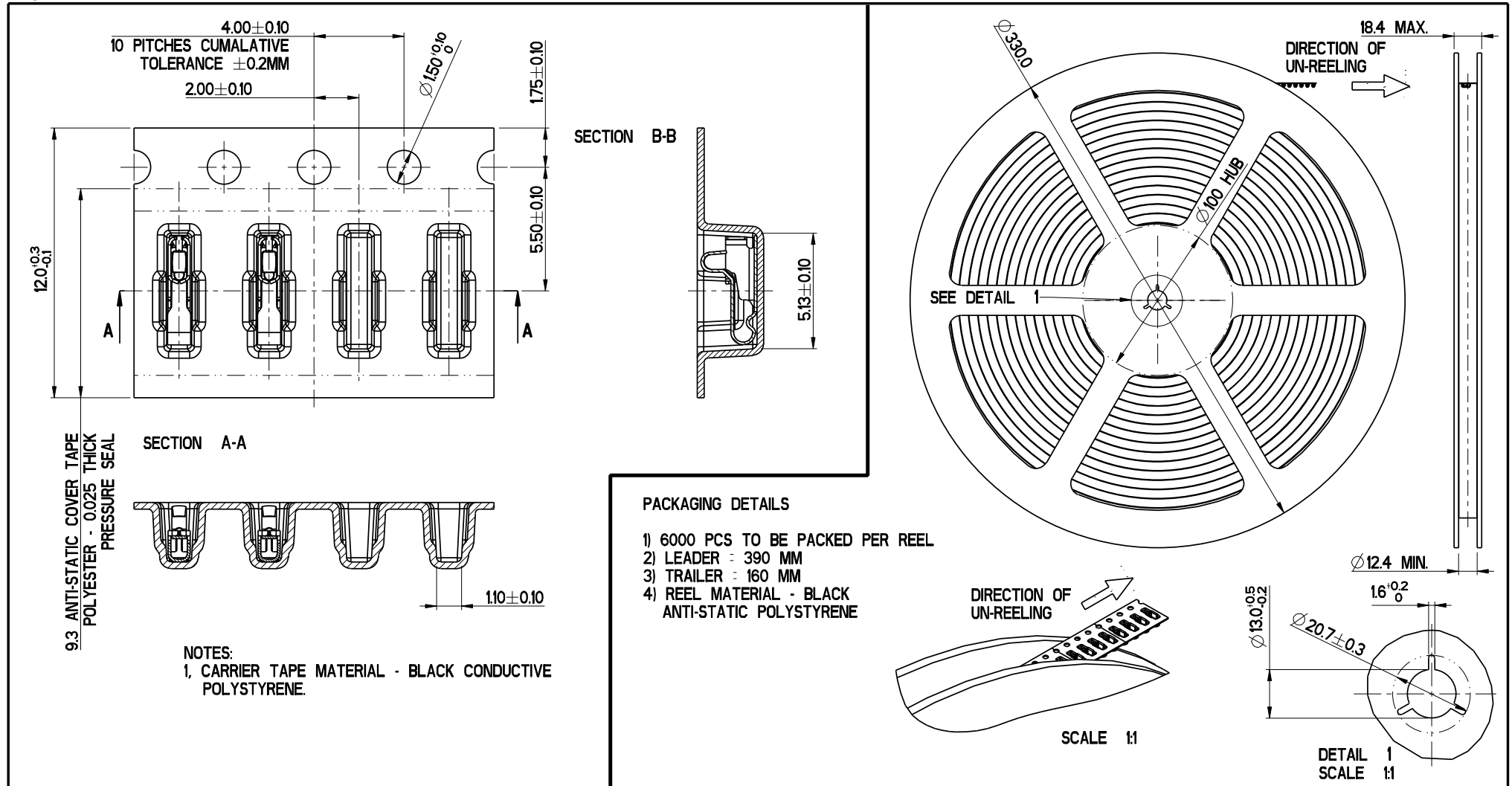




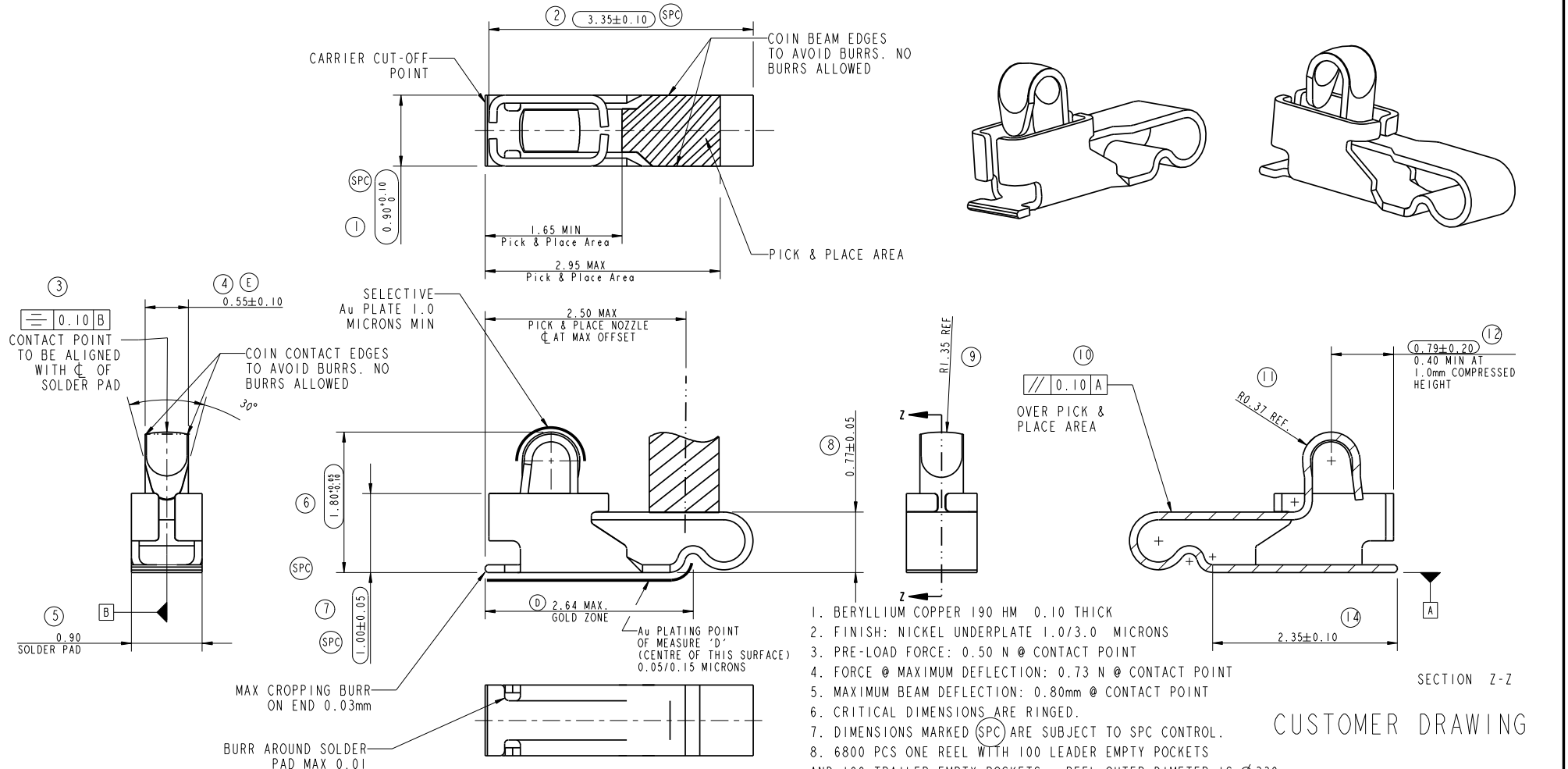
- NOTES:
- 1) MINIMUM STROKE 1.0 MM.
  - 2) FOR CONTACT FORCES SEE LOAD/DEFLECTION GRAPH. FORCE TO BE MEASURED USING SPC AT COMPRESSED HEIGHT OF 2.15MM.
  - 2.2) FOR CONTACT FORCES SEE LOAD/DEFLECTION GRAPH. FORCE TO BE MEASURED USING SPC AT COMPRESSED HEIGHT OF 2.35MM. (K)
  - 3) PLATING AFTER STAMPING  
SELECTIVE GOLD BRUSH PLATING ON CONTACT POINT 1.0 MICRONS MINIMUM, AND OVER SOLDER PAD AREA 0.05/0.15 MICRONS OVER NICKEL UNDERLAYER 10/3.0 MICRONS.
  - 4) MIN MATING CYCLES 100.
  - 5) CONTACT RESISTANCE MAX 20 mΩ.
  - 6) CRITICAL DIMENSIONS ARE RINGED.
  - 7) UNSPECIFIED DIMENSIONS - LINEAR ±0.10, ANGULAR ±0.2°.
  - 8) NUMBERED BALOONS FOR CUSTOMER REFERENCE ONLY.
  - 9) RECOMMENDED PCB PAD SIZE: 3.76 X 1.00 mm

DO NOT SCALE		Total Volume : 1912 mm <sup>3</sup>		Total Surface Area : 35.014 mm <sup>2</sup>		PDM: *** **		A3/B	
K	RE-2272, ADD NEW WORKING HEIGHT 2.35MM, AND WIDTH TOLERANCE	01-APR-2008	Drawn	Bills	01-APR-2008	 ITT Industries Cannon Electronics (SZ) Co. Ltd. Toupan Industrial Area, Jinda Cheng, Xiner Village, Shajing Town, Baoan District, Shenzhen City PRC 518125	Pro/E Generic Model		
	RE-1935, ADD SOLDERING GOLD ZONE	26-FEB-2007	Checked	David	01-APR-2008		Title		
	RE-1688, ADD PCB PAD SIZE IN THE NOTES.	10-May-06	Engineer	Bills	01-APR-2008		UNIVERSAL CONTACT 25MM		
	RE-1604 Initial Issue	23-Nov-05	Manufact.	-	-		Drwg. No. CU-120220-0161		
H	DCN/ECN or Description	Date	Assembly	-	-	Ref:	Scale 20:1	Sheet 1 of 2	iss/rev
Rev			Quality	-	-	Cust Spec No:			K
Approvals Sign Date			Dimensions in: mm			This is issued in strict confidence on condition that it is not used as a basis for manufacture or sale and that it is not copied, reprinted or disclosed to a third party either wholly or in part without the prior written consent of ITT Industries © 24-May-05			



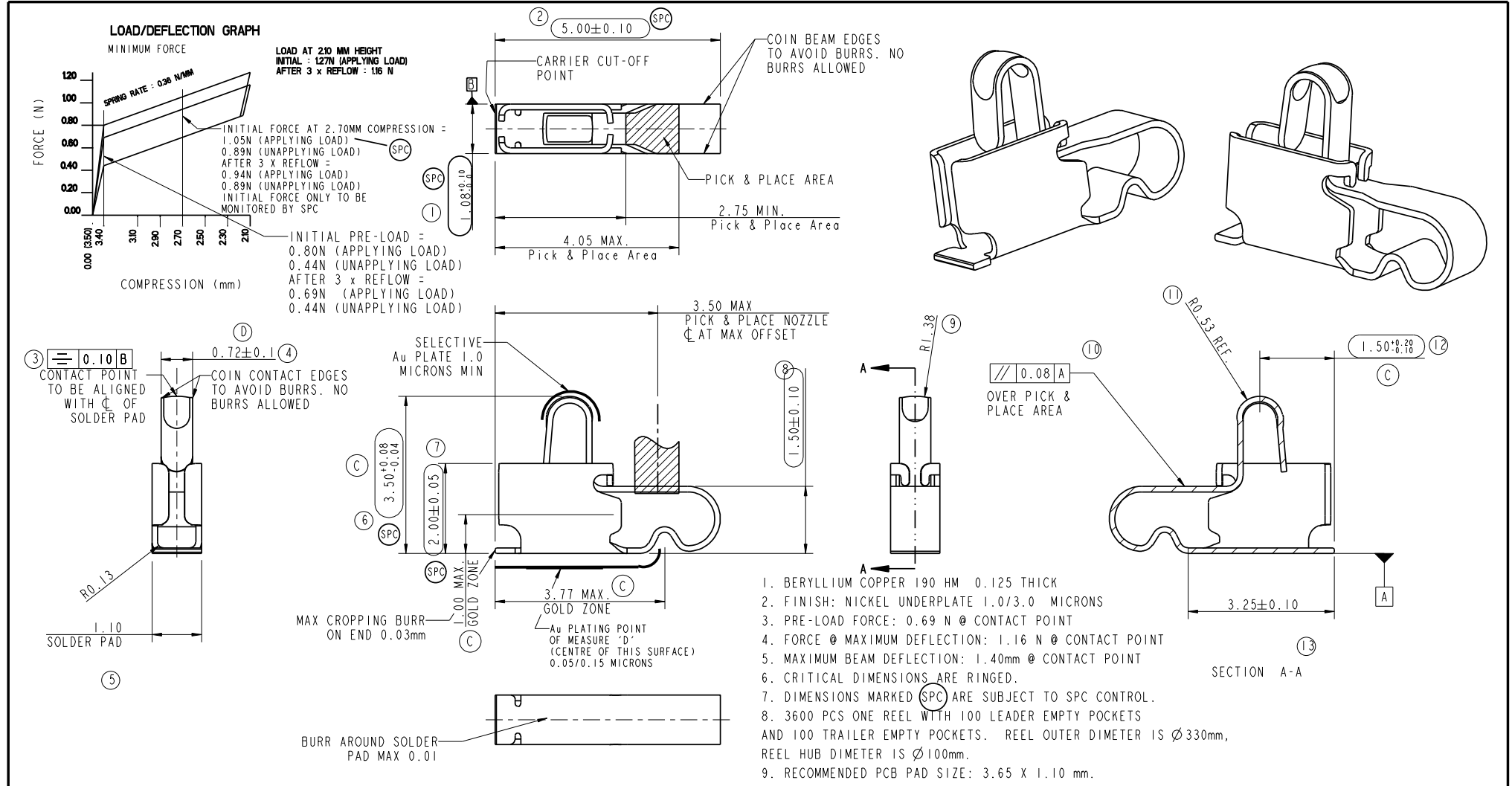
<b>DO NOT SCALE</b>				PDM: *** **			A3/B
Drawn	Bills	01-APR-2008	MATERIAL:	 3rd ANGLE PROJECTION Surface Roughness Unless Specified	 ITT Industries Canon Electronics (SZ) Co. Ltd.	Pro/E Generic Model	
Checked	David	01-APR-2008	BERYLLIUM COPPER			Title	
Engineer	Bills	01-APR-2008	0.125mm	Toupan Industrial Area, Jinda Cheng, Xiner Village, Shajing Town, Baoan District, Shenzhen City PRC 518125		UNIVERSAL CONTACT 25MM	
Manufact.			Treatment:	Ref:		Drwg. No.	CU-120220-0161
Assembly				Scale 1:1		Sheet 2 of 2	iss/rev
Quality				Cust Spec No:			K
Approvals	Sign	Date	Dimensions in: mm	This is issued in strict confidence on condition that it is not used as a basis for manufacture or sale and that it is not copied, reprinted or disclosed to a third party either wholly or in part without the prior written consent of ITT Industries © 24-May-05			

SEE SHEET 1	Date
Iss/Rev	DCN/ECN or Description



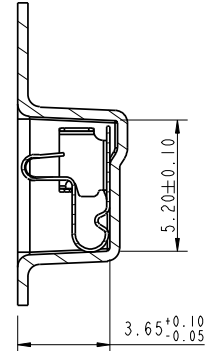
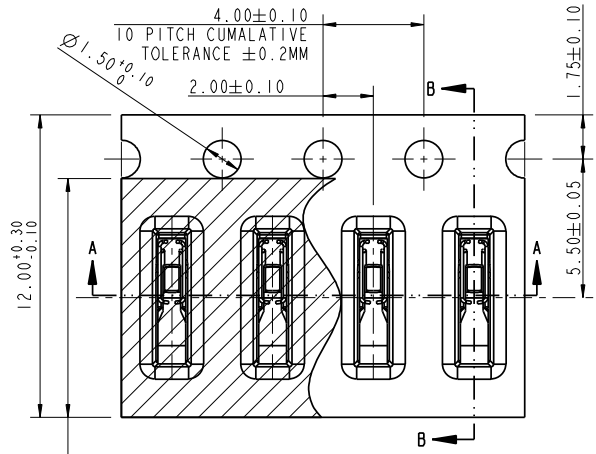
CUSTOMER DRAWING

DO NOT SCALE		PDM:		A3/B
E	RIE-2272, ADD WIDTH TOLERANCE	01-APR-08	<p>ITT Industries                      Cannon Electronics (SZ) Co. Ltd.                      Toupandun Industrial Area,                      Jinda Cheng, Xiner Village,                      Shajing Town, Baoan District,                      Shenzhen City                      PRC 518125</p>	Pro/E Generic Model Title <b>MICRO UNIVERSAL                      CONTACT 1.8 mm</b>
D	RIE-1935, ADD SOLDERING GOLD ZONE DIMENSION	13-Feb-07		
C	RIE-1688, ADD PCB PAD SIZE INTO NOTES	8-May-06		
B	RIE-1438 RELEASED	25-May-05		
A	ADD DIMS	02-Jan-05		
Rev	DCN/ECN or Description	Date	Unless Specified Cust Spec No: Scale 10.000 Sheet 1 of 1	Drwg. No. <b>CU-120220-0202</b> iss/rev <b>E</b>
This is issued in strict confidence on condition that it is not used as a basis for manufacture or sale and that it is not copied, reprinted or disclosed to a third party either wholly or in part without the prior written consent of ITT Industries © 30-Mar-05				

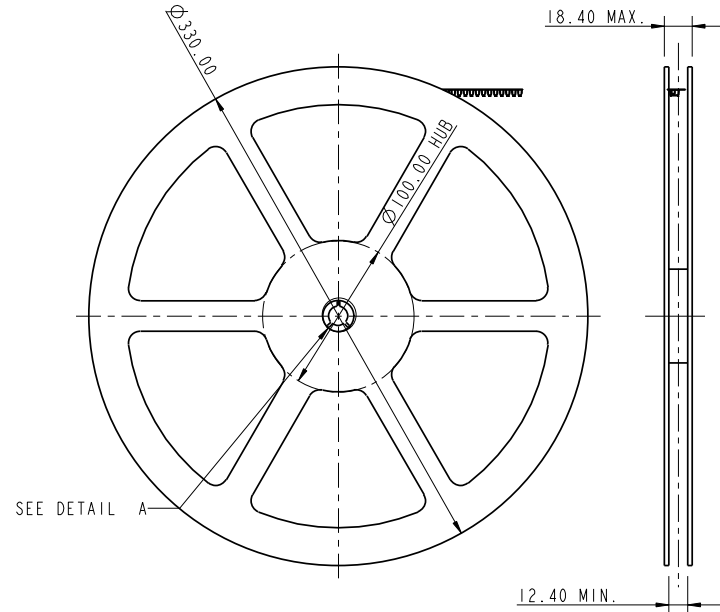


E	RIE-2859, ADD PACKAGING DETAIL	13-Nov-10	<b>DO NOT SCALE</b>						PDM:	A3/B
D	RIE-2272, ADD WIDTH TOLERANCE	01-Apr-06	Drawn	BILLS	13-Nov-10	Material:	 ITT Industries Cannon Electronics (SZ) Co. Ltd.	Toupandun Industrial Area, Jinda Cheng, Xiner Village, Shajing Town, Baoan District, Shenzhen City PRC 518125	Pro/E Generic Model	
C	RIE-1935, ADD SOLDERING GOLD ZONE DIMENSION 3.50 <sup>+0.08</sup> <sub>-0.04</sub> was 3.50±0.05 15 <sup>+0.20</sup> <sub>-0.10</sub> was 166±0.20	26-FEB-07	Checked	FRANK	13-Nov-10	BERYLLIUM COPPER 190 HM - 0.125 ± 0.004 THICK			Title MICRO UNIVERSAL CONTACT 3.5 mm	
B	RIE-1724, UPDATED FORCE INFORMATION ADD PCB PAD SIZE	25-Apr-06	Manufact.			Treatment:			Drwg. No. CU-120220-0204	iss/rev E
A	RIE-1703 RELEASED	3-Apr-06	Assembly			Quality			Scale 40.000	Sheet 1 of 2
Iss/Rev	DCN/ECN or Description	Date	Approvals	Sign	Date	Dimensions in: mm	Cust Spec No:	Ref:		

This is issued in strict confidence on condition that it is not used as a basis for manufacture or sale and that it is not copied, reprinted or disclosed to a third party either wholly or in part without the prior written consent of ITT Industries © 30-Mar-05

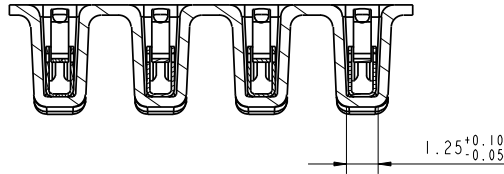


SECTION B-B



SEE DETAIL A

9.4809.3 ANTI-STATIC COVER TAPE POLYESTER - 0.025 THICK PRESSURE SEAL

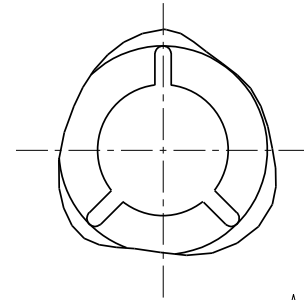
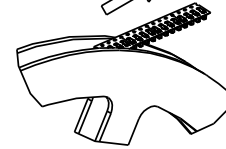


SECTION A-A

PACKAGING DETAILS


- 1) 3600 PCS TO BE PACKED PER REEL
- 2) LEADER = 390 MM
- 3) TRAILER = 160 MM
- 4) REEL MATERIAL - BLACK ANTI-STATIC POLYSTYRENE

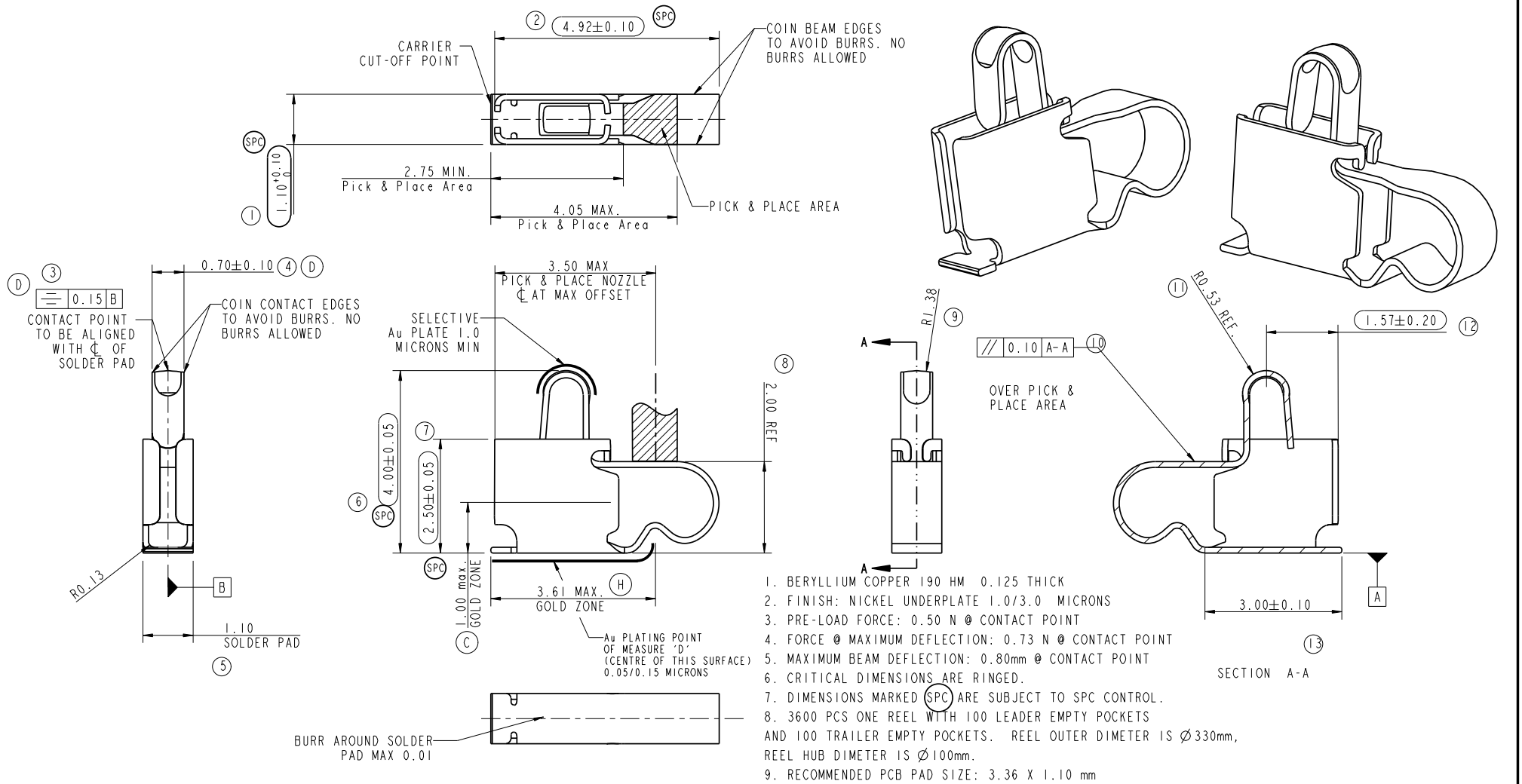
DIRECTION OF UN-REELING



SCALE 2.000

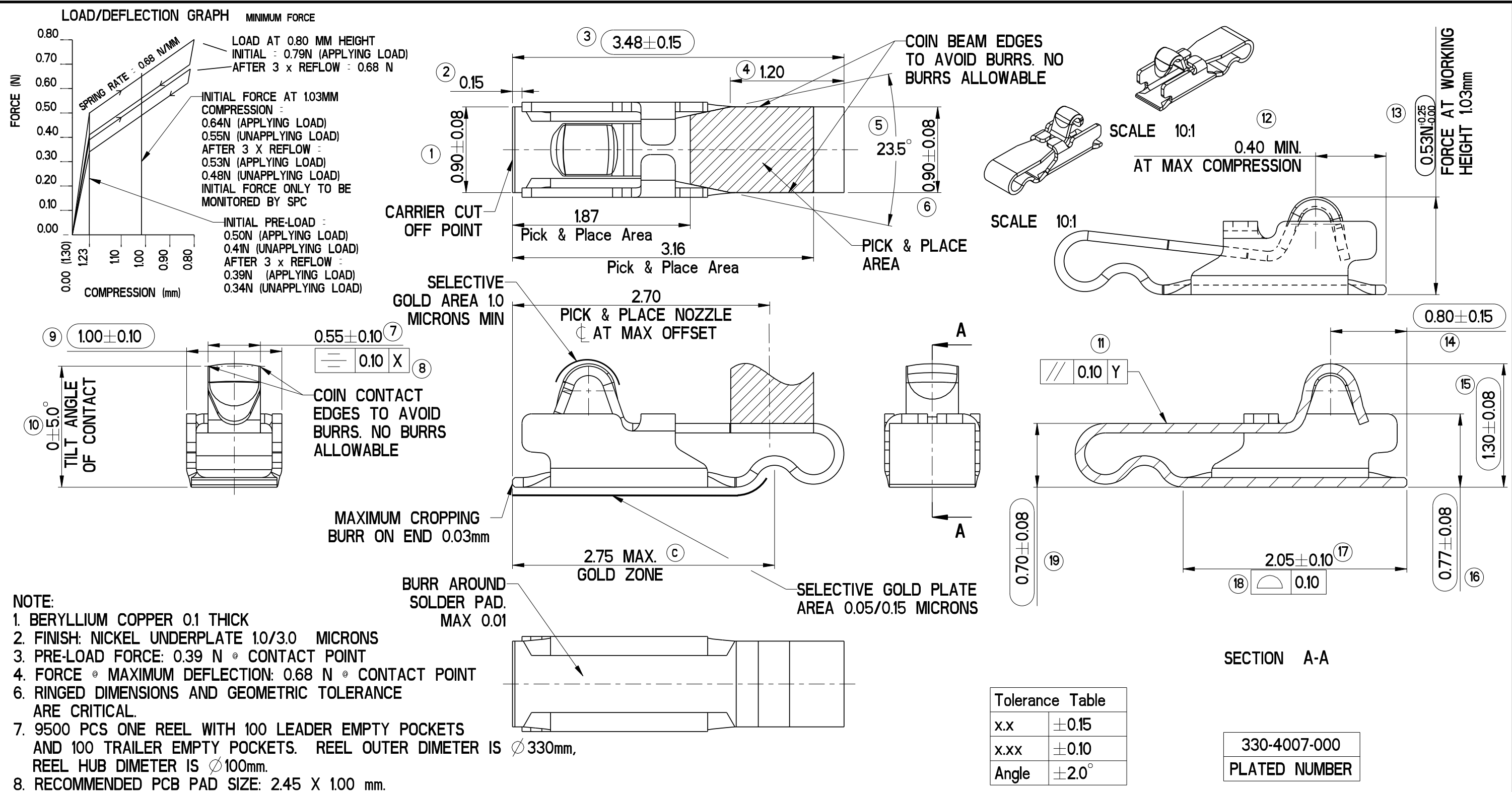
NOTES:  
1, CARRIER TAPE MATERIAL - BLACK CONDUCTIVE POLYSTYRENE.

<b>DO NOT SCALE</b>					<b>PDM:</b>		<b>A3/B</b>		
Drawn	BILLS	13-Nov-09	Material:	 <b>ITT Industries</b> Cannon Electronics (SZ) Co. Ltd.		Toupandun Industrial Area, Jinda Cheng, Xiner Village, Shajing Town, Baoan District, Shenzhen City PRC 518125		Pro/E Generic Model	
Checked	FRANK	13-Nov-10	BERYLLIUM COPPER					Title	
Engineer	BILLS	13-Nov-10	190 HM - 0.125 ± 0.004 THICK			MICRO UNIVERSAL		CONTACT 3.5 mm	
Manufact.	-	.	Treatment:						
Assembly	-	.							
Quality	-	.							
Approvals	Sign	Date	Dimensions in: mm	Cust Spec No:	Scale 30.000	Sheet 2 of 2	Drwg. No. <b>CU-120220-0204</b>	iss/rev	<b>E</b>
This is issued in strict confidence on condition that it is not used as a basis for manufacture or sale and that it is not copied, reprinted or disclosed to a third party either wholly or in part without the prior written consent of ITT Industries © 13-Nov-09									



1. BERYLLIUM COPPER 190 HM 0.125 THICK
2. FINISH: NICKEL UNDERPLATE 1.0/3.0 MICRONS
3. PRE-LOAD FORCE: 0.50 N @ CONTACT POINT
4. FORCE @ MAXIMUM DEFLECTION: 0.73 N @ CONTACT POINT
5. MAXIMUM BEAM DEFLECTION: 0.80mm @ CONTACT POINT
6. CRITICAL DIMENSIONS ARE RINGED.
7. DIMENSIONS MARKED (SPC) ARE SUBJECT TO SPC CONTROL.
8. 3600 PCS ONE REEL WITH 100 LEADER EMPTY POCKETS AND 100 TRAILER EMPTY POCKETS. REEL OUTER DIMETER IS Ø330mm, REEL HUB DIMETER IS Ø100mm.
9. RECOMMENDED PCB PAD SIZE: 3.36 X 1.10 mm

DO NOT SCALE		PDM:		A3/B	
Drawn	BILLS 01-APR-08	Material:			Pro/E Generic Model
Checked	DAVID 01-APR-08	BERYLLIUM COPPER			Title
Engineer	BILLS 01-APR-08	190 HM - 0.125 ± 0.004 THICK			MICRO UNIVERSAL CONTACT 4.0 mm
Manufact.					
Assembly		Treatment:			
Quality					
Approvals	Sign Date	Dimensions in: mm	Cust Spec No:	Scale 10.000 Sheet 1 of 1	Drwg. No. CU-120220-0206 iss/rev E



**NOTE:**  
 1. BERYLLIUM COPPER 0.1 THICK  
 2. FINISH: NICKEL UNDERPLATE 1.0/3.0 MICRONS  
 3. PRE-LOAD FORCE: 0.39 N @ CONTACT POINT  
 4. FORCE @ MAXIMUM DEFLECTION: 0.68 N @ CONTACT POINT  
 6. RINGED DIMENSIONS AND GEOMETRIC TOLERANCE ARE CRITICAL.  
 7. 9500 PCS ONE REEL WITH 100 LEADER EMPTY POCKETS AND 100 TRAILER EMPTY POCKETS. REEL OUTER DIMETER IS  $\phi$ 330mm, REEL HUB DIMETER IS  $\phi$ 100mm.  
 8. RECOMMENDED PCB PAD SIZE: 2.45 X 1.00 mm.

Tolerance Table	
x.x	$\pm 0.15$
x.xx	$\pm 0.10$
Angle	$\pm 2.0^\circ$

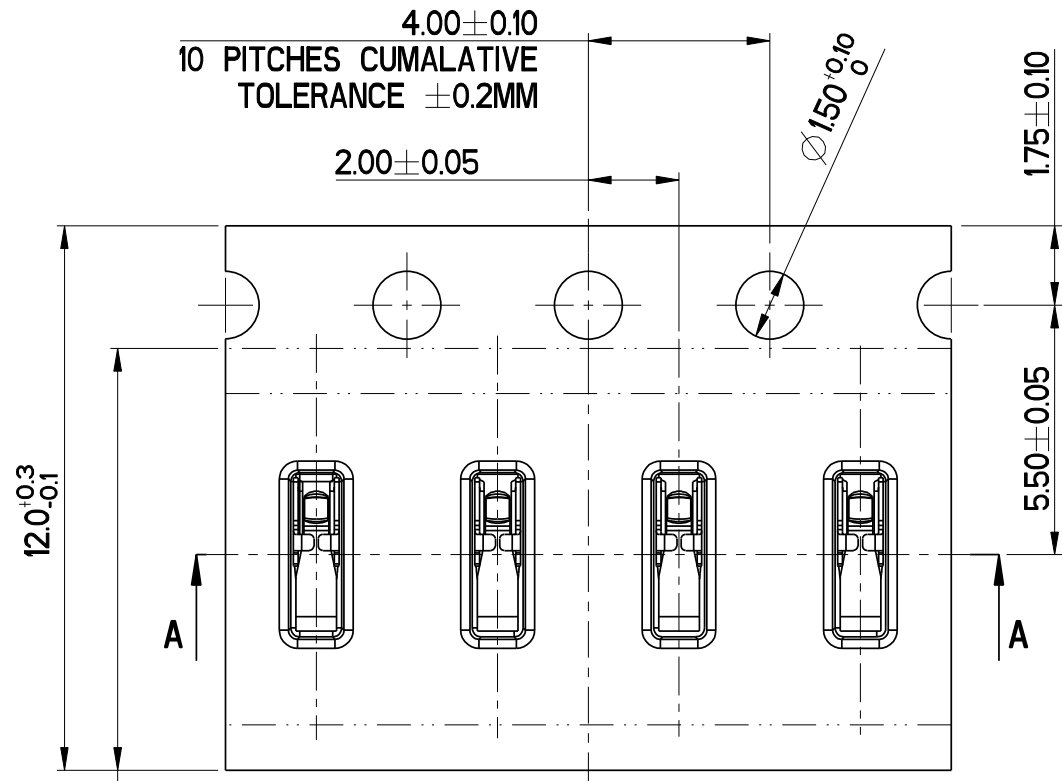
330-4007-000  
 PLATED NUMBER

DO NOT SCALE		A3/B	
Drawn	BILLS 26-FEB-07	Material: BERYLLIUM COPPER 0.10 THICK	3rd ANGLE PROJECTION
Checked	David 26-FEB-07		
Engineer	BILLS 26-FEB-07		
Manufact.		Treatment:	Surface Roughness
Assembly			
Quality			
Approvals	Sign Date	Dimensions in: mm	Unless Specified
Iss Rev	DCN/ECN or Description	Date	Cust Spec No:

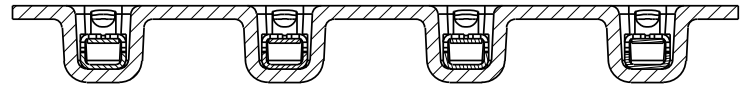
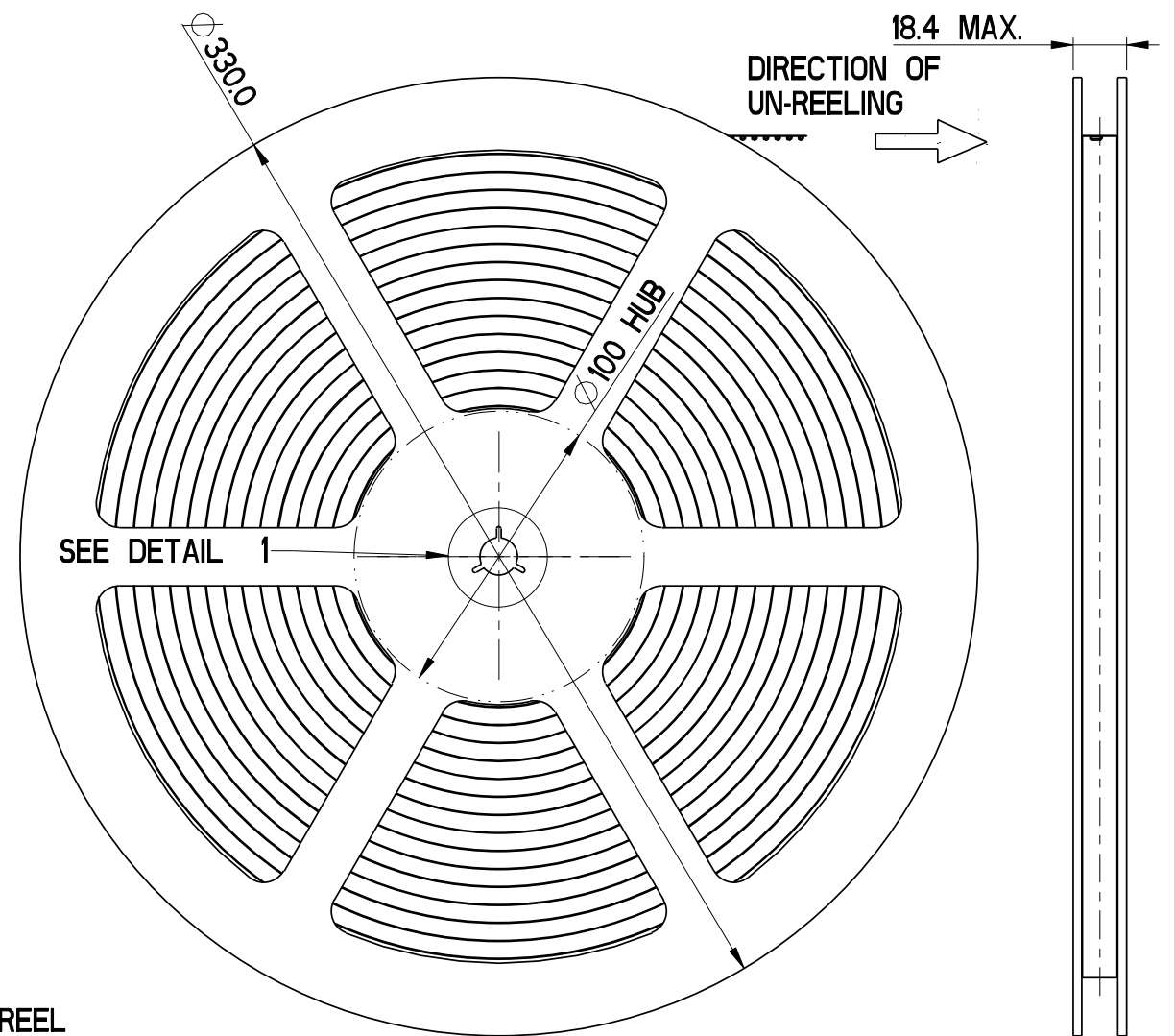
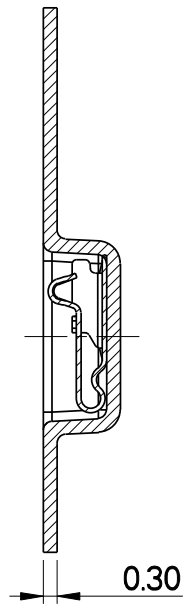
**ITT Industries**  
 Cannon Electronics (SZ) Co. Ltd.  
 Toupandun Industrial Area,  
 Jinda Cheng, Xiner Village,  
 Shajing Town, Baoan District,  
 Shenzhen City  
 PRC 518125

Pro/E Generic Model  
 Title  
**MICRO UNIVERSAL CONTACT 1.3mm**

Drwg. No. **CU-120220-0210** iss/rev **C**  
 Scale 20:1 Sheet 1 of 2



SECTION B-B



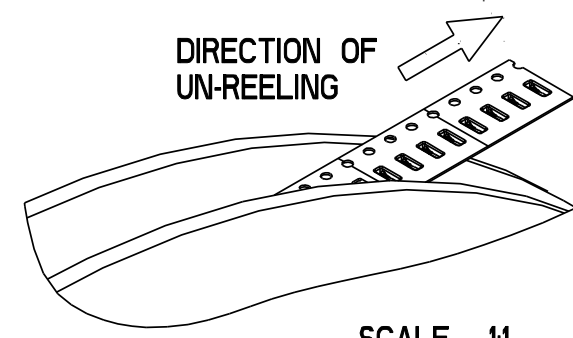
SECTION A-A

9.3 ANTI-STATIC COVER TAPE  
POLYESTER - 0.025 THICK  
PRESSURE SEAL

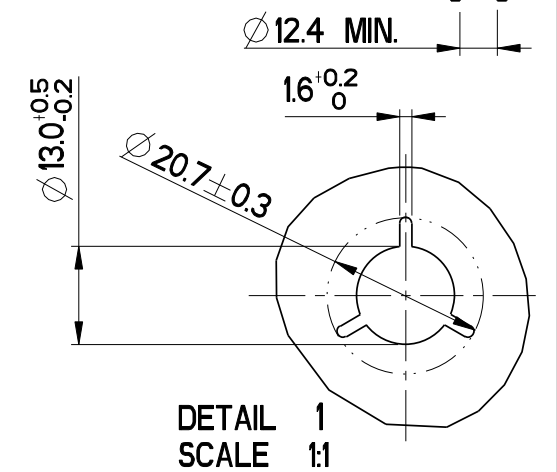
- NOTES:  
1, UNSPECIFIED INTERNAL RADII R0.2 MM MAX.  
2, CARRIER TAPE MATERIAL - BLACK CONDUCTIVE POLYSTYRENE.

PACKAGING DETAILS

- 1) 9500 PCS TO BE PACKED PER REEL
- 2) LEADER = 400 MM
- 3) TRAILER = 400 MM
- 4) REEL MATERIAL - BLACK ANTI-STATIC POLYSTYRENE



SCALE 1:1



DETAIL 1  
SCALE 1:1

<b>DO NOT SCALE</b>							A3/B	
Drawn	BILLS	26-FEB-07	Material: BERYLLIUM COPPER 0.10 THICK	3rd ANGLE PROJECTION	ITT Industries	Pro/E Generic Model		
Checked	DAVID	26-FEB-07				Title		
Engineer.	BILLS	26-FEB-07				MICRO UNIVERSAL CONTACT 1.3mm		
Manufact.			Treatment:	Surface Roughness	Cannon Electronics (SZ) Co. Ltd.	Drwg. No. CU-120220-0210		
Assembly						iss/rev C		
Quality						Scale 1:1 Sheet 2 of 2		
Approvals	Sign	Date	Dimensions in: mm	Cust Spec No:	Scale 1:1	Sheet 2 of 2		
SEE SHEET 1				This is issued in strict confidence on condition that it is not used as a basis for manufacture or sale and that it is not copied reprinted or disclosed to a third party either wholly or in part without the prior written consent of ITT Industries © 24-May-05				
Iss Rev	DCN/ECN or Description		Date					