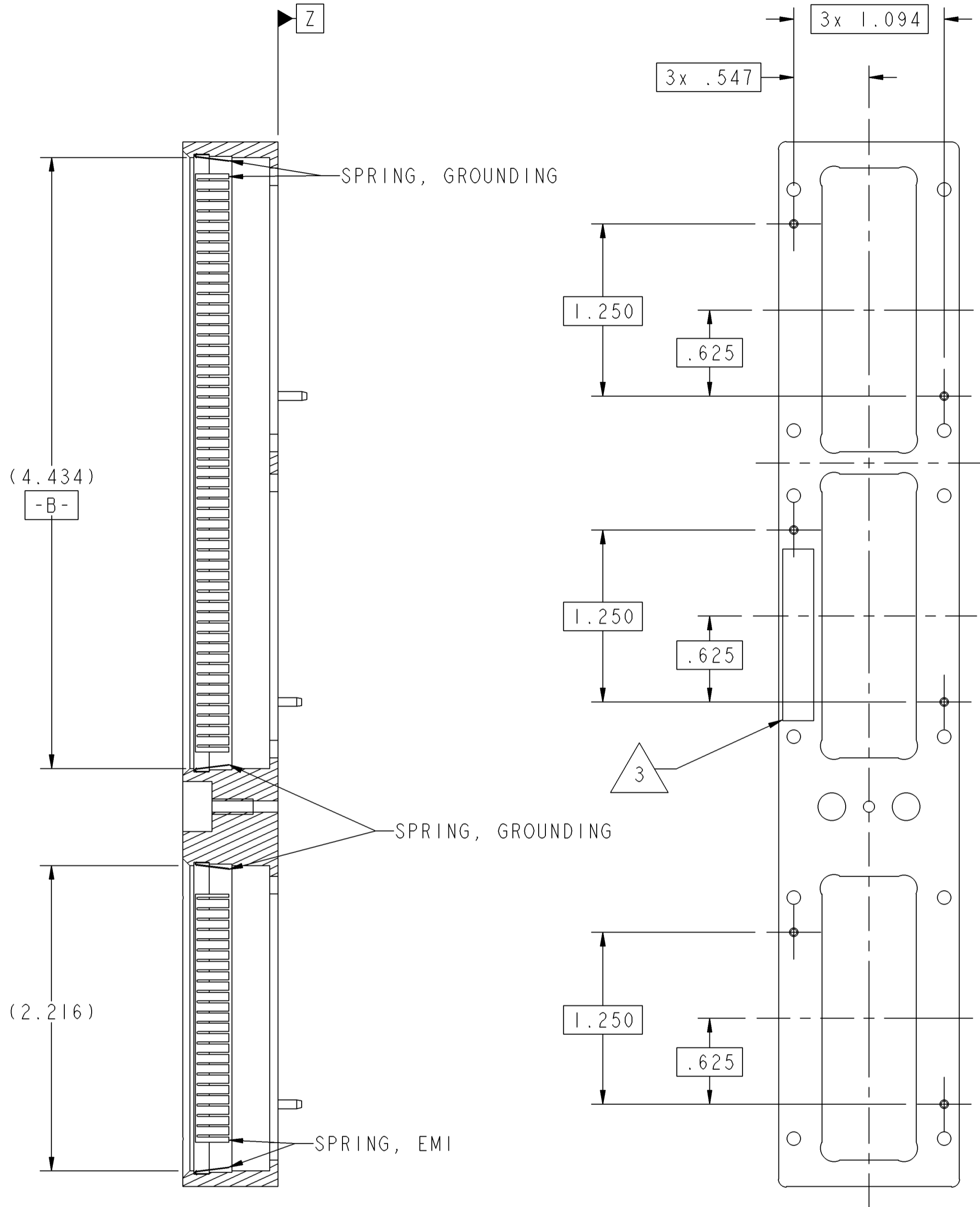
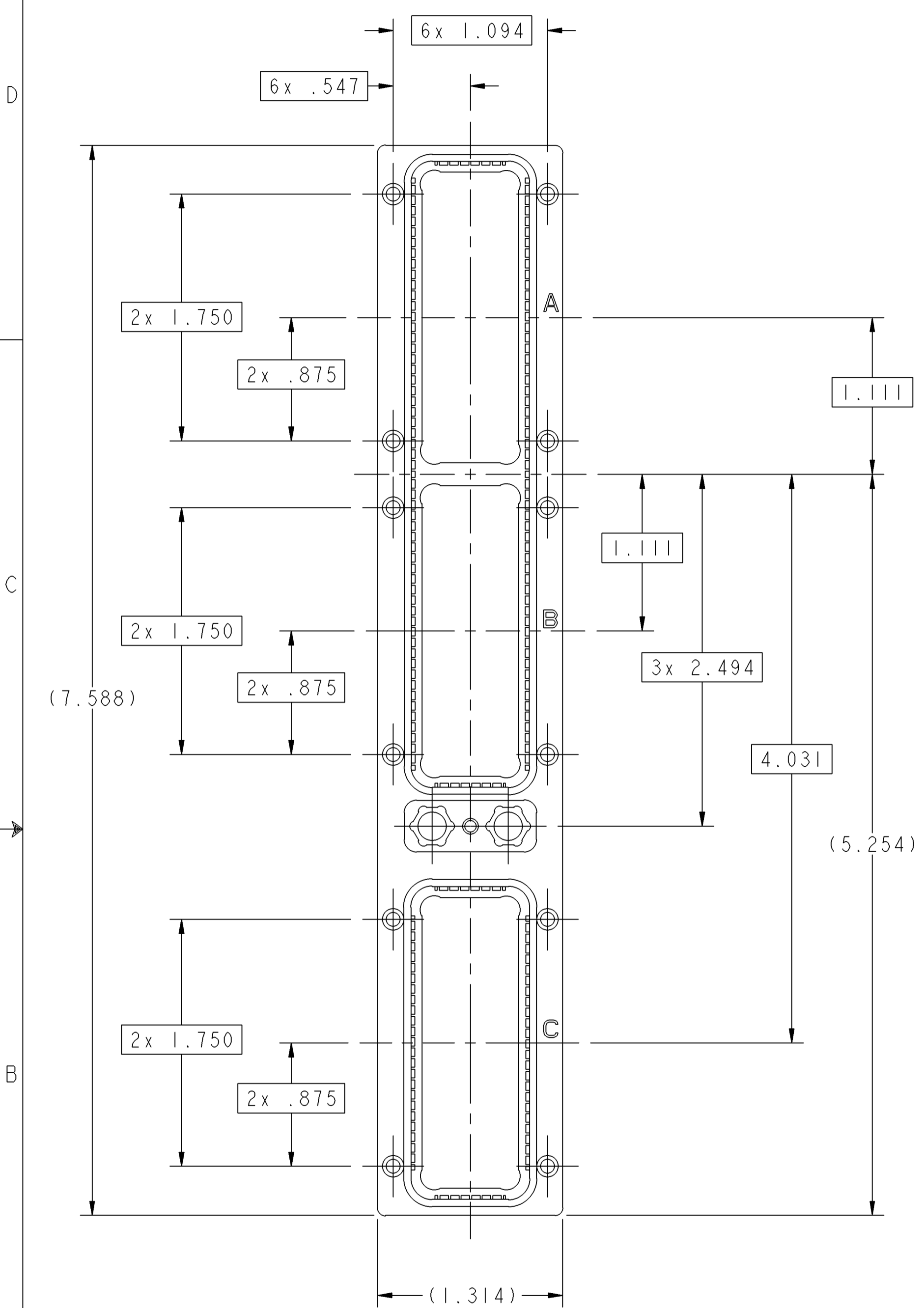
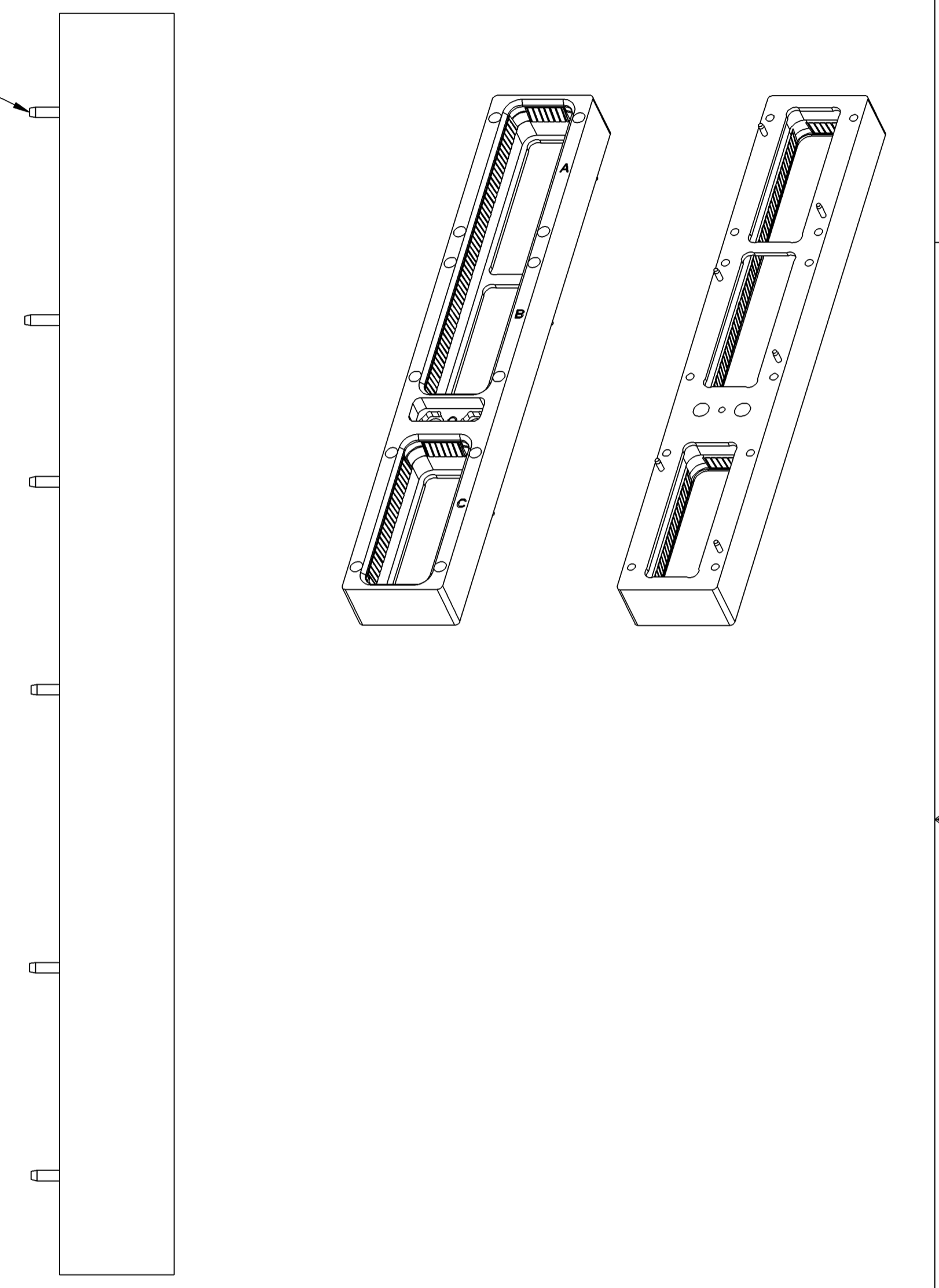


THIS IS ISSUED IN STRICT CONFIDENCE ON CONDITION THAT IT IS NOT USED AS A BASIS FOR MANUFACTURE OR SALE, AND THAT IT IS NOT COPIED, REPRINTED OR DISCLOSED TO A THIRD PARTY EITHER WHOLLY OR IN PART WITHOUT THE PRIOR WRITTEN CONSENT OF ITT CANNON.

DWG NO. 349-1151-000		SH 1	REV -
REVISIONS			
REV	DESCRIPTION	DATE	APPROVAL

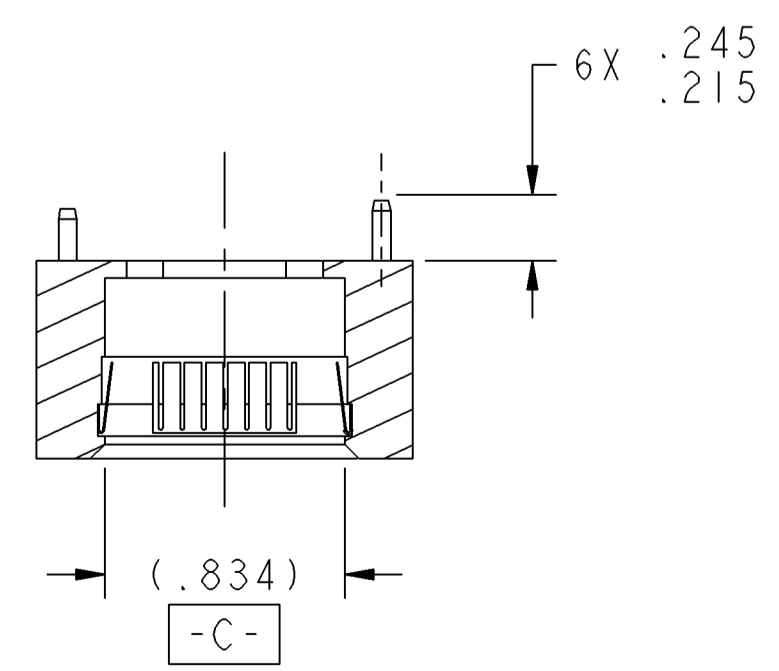


6x \varnothing .0627 PRESS-IN DOWEL PIN
 \varnothing .003(M) A B C



NOTES: UNLESS OTHERWISE SPECIFIED.

- MATERIAL:
 SHELL: ALUMINUM ALLOY PER QQ-A-250
 EMI SPRING: BERYLLIUM COPPER
 DOWEL PIN: CRES
 - FINISH:
 SHELL: ELECTROLESS NICKEL PER MIL-C-26074
 EMI SPRING: ELECTRODEPOSITED NICKEL PER QQ-N-290
 DOWEL PIN: PASSIVATED
- 3 MARKING: "ITT CANNON" "349-1151-000" AND "DATE CODE" PLUS "4089221-1" AND "REV LTR" PER HONEYWELL "P/O".



EXPORT CODE C
 This information is subject to the controls of the Export Administration Regulations (EAR). This information shall not be provided to non-U.S. persons or transferred by any means to any location outside the United States without first obtaining any required authorization from the U.S. Department of Commerce.

UNLESS OTHERWISE SPECIFIED: -DIMENSIONS AND TOLERANCES AS PER ASME Y14.5M-1994 -DIMENSIONS ARE IN INCHES AND (MM) -REMOVE ALL BURRS AND SHARP EDGES .005 (0.13) MAX. -DO NOT SCALE DRAWING.		TOL DECIMALS .X \pm .02 (0.51) .XX \pm .01 (0.25) .XXX \pm .005 (0.127) .XXXX \pm .0005 (0.0127)	TOL ANGLES X° \pm 1° SURFACE ROUGHNESS 63 (1.6)	CRITICAL DIM ∇ SPC DIM ∇ KEY CHARACTERISTIC KEY ∇
DRAWN Ian Long	DATE 10-02-03	SURFACE AREA		
CHECKED Peter Hyzin	DATE 10-02-03	REF		
APPROVED Peter Hyzin	DATE 10-02-03	PART NO	349-1151-000	
ITC Industries ITT Cannon 666 E. DYER RD, SANTA ANA, CA 92705		SCALE 1.500	DESCRIPTION SHELL ASSEMBLY, RECEPTACLE, AIMS-2	
CAGE CODE 71468		SIZE D	USE C	
3RD ANGLE PROJECTION		SHEET 1 / 1	REV -	
		349-1151-000		